

PRINTRONIX®

S828

Administrator's Manual



Tables of Contents

Printronic Products Information	1
Safety and Environmental Notices	2
Safety notices	2
Danger hazard level	2
Caution hazard level	2
Attention notices	2
Safety precautions	3
Electrical safety	3
Approved power cord and receptacle	3
Electrical safety and portable power strip receptacles	4
Connecting or disconnecting a communication port or an attachment connector	4
Servicing during an electrical storm	4
FFC Notes	5
European Union (EU) Conformity Statement	5
Industry Canada Compliance Statement	5
Statement for CISPR 22 Edition 2 Compliance	5
Getting to Know Your Printer	6
Printer Features (model type S828 and S828+)	6
Printer Parts	7
Front View	7
Left Side View	7
Rear View	8
Inside View	8
Setting Up Your Printer	9
Choosing a Suitable Location	9
Ribbon Cartridge Installation	10

Power Connection	14
Host Computer Connection	15
Driver Installation	16
Windows Environment	16
LAN Connection	17
Monitoring Printer & Remote Printer Configuration in LAN using a Browser	18
Printer Configuration	21
Support	23
Remote Printer Management Utility (RPMU)	24
UNIX Environment	25
Linux 7.x & Solaris 7.x Operating Systems	27
AS/400 Environment	28
Configuring AS/400 for ASCII (TCP/IP protocol)	28
Configuring with ADDTCPIFC	28
Selecting the Display Language	31
Configuring the Printer	32
Operator Panel Presentation	32
Display Messages	32
Indicators	34
Function Keys	34
ON LINE Key	35
PROGRAM Key	35
MACRO Key	35
FONT Key	35
LF Key	35
LOAD/FF Key	36
ALTERNATE Key	36
TEAR/PITCH Key	36
PATH/PARK Key	36
Attention Light	36
Printer Setups	37

Entering the Printer Setups	37
Moving within the Printer Setups	37
Leaving the Printer Setups	37
Printer Setup Item	37
Power-On Configuration Setup	38
Entering the Power-On Configuration Setup	38
Main Structure	38
Printout of the Configuration Printer Settings	39
Emulation Options	40
Setting the Emulation Options	41
Printer Emulation	41
EPSON Character Sets	41
IBM Character sets	41
EPSON National Character sets	42
IBM National Character Sets	42
CR Code Behavior	43
LF Code Behavior	43
IBM Compressed Printing	43
Bar code mode	44
Interface	44
Interface Type Settings	44
Parallel Interface	46
Setting the Parallel Interface Parameters	47
Interface Type	47
Setting the Select-In Signal	47
Number of Data Bits	47
Input Buffer Size	48
Serial Interface	49
Setting the Serial Interface Parameters	50
Interface Type	50
Baud Rate	51

Number of Data Bits	51
Parity Check	51
Handshake Protocol	52
Connection Type	52
Input Buffer Size	52
LAN Interface	53
Setting the LAN Interface Parameters	54
IP Assignment	54
Init IP Address	54
Init Net Mask	54
ID Default Gateway	55
Init Host Name	55
Init Workgroup Name	55
Enable/Disable the SMTP Service	56
Mail Server Address	56
E-mail Address	56
Sender Address	57
Enable/Disable the LPR Service	57
Enable/Disable the FTP Service	57
Enable/Disable the TELNET Service	57
Enable/Disable the DIRIP Service	58
Enable/Disable the HTTP Service	58
Enable/Disable the SNMPD Service	58
Enable/Disable the SMBD Service	58
Functions	59
Setting the Functions Group Items	60
Enable/Disable the Buzzer	60
Paper Loading Sequence	60
Text Print Direction	61
Graphics Print Direction	61
Bar Codes Print Direction	61

Paper Path at Power-On	62
Selection of the Language of the Display Messages	62
Enable/Disable Front1 Tractor Jam Sensor	63
Enable/Disable Front2 Tractor Jam Sensor	63
Adjusting the Tear-Off Position	63
Resetting to Factory Default Values	64
Program Setup	65
Entering the Program Setup	65
Main Structure	65
Printout of the Printer Settings	66
User Macro	69
Selection of the User Macro	69
User Macro Parameters	70
Line Spacing	71
Line Spacing Lock	72
Page Length	72
Top of Form	72
Form Feed (FF) Command	73
Skip Over Perforation	73
Draft Print Mode Selection	73
Font Lock	74
Font Selection	74
Pitch Selection	74
Pitch Lock	75
Left Margin	75
Right Margin	75
Zero Character Printing	76
Paper Path Selection	76
Tear-Off Mode	76
Tear Delay Mode	77
Print Impact Strength	77

Paper Perforation	77
Quiet Printing	78
Adjusting the Distance of the Print Head	78
Horizontal Character Tuning	78
Vertical Character Tuning	79
Space Compression	79
Resetting the Macro Parameters to the Factory Defaults	79
Selecting Another Macro	80
Passing over to the Power-On Configuration	80
Hexadecimal Dump	81
Storing the values	81
ANSI Emulation	82
ANSI Character Sets	82
ANSI Code Pages	82
ANSI Code Pages	82
Reset Enable	83
SI/SO Control	83
Auto Carriage Return	83
Prime on Delete	83
Control Codes in Dot Graphics	84
Vertical Expansion	84
ALT Graphics	84
8-bit Control	84
Superscript/Subscript Character Enable	85
ESC+Control Code	85
VT Code	85
Double Line Feed	85
Automatic Wrap	86
Clear Margin	86
Backup Option	86
Barcode Guard Bar Enable	87

<i>IPDS Emulation</i>	88
<i>Pitch Selection</i>	88
<i>Line Spacing</i>	88
<i>Right Margin</i>	88
<i>Page Length</i>	89
<i>Print Quality</i>	89
<i>Host Fast Draft</i>	89
<i>Print National Character Sets</i>	90
<i>Emulation Mode</i>	90
<i>Media Size Priority</i>	91
<i>Bar Code Mode</i>	91
<i>Graphics Mode</i>	91
<i>How to Select the Paper Path</i>	92
<i>How to Use the Tear-Off Function</i>	92
<i>Selection of the Paper Size</i>	92
<i>Adjusting the Tear-Off Position</i>	93
<i>Selection of the Tear-Off Mode</i>	94
<i>How to Lock/Unlock the Printer Setups</i>	95
<i>How to Handle the Paper Parking</i>	96
<i>Paper Paths</i>	100
<i>Paper Handling</i>	100
<i>Paper Specifications</i>	102
<i>Fanfold Paper</i>	102
<i>Fanfold Paper Loading</i>	102
<i>Loading Paper Using the Front1 Push Tractor</i>	102
<i>Printing a Configuration Sheet</i>	106
<i>Printer Maintenance and Troubleshooting</i>	107
<i>Cleaning the Printer</i>	107
<i>Cleaning Inside the Printer</i>	107
<i>Cleaning the Outside Covers</i>	107
<i>Replacing the Ribbon Cartridge</i>	108

Printing the Self Test	109
Error Handling	110
Error Message Description	110
Problems List Index	112
Forms problems	112
Print quality and ribbon problems	113
Configuration problems	114
Miscellaneous problems	114
Clearing Forms Jams	115
Options	116
The IPDS Controller Board	116
Installing the Controller Board	116
Handling the Controller Board	116
Replacing the Controller Board	116
The Front2 Push Tractor	118
Installing the Front2 Push Tractor	118
Removing the Front2 Push Tractor	119
Loading Paper Using the Front2 Push Tractor (option)	120
Loading Paper Using the Front1 Push Tractor when the Front2 Push Tractor (Option) is Installed	122
The Enclosed Pedestal and Printer Stand	123
Printer Specifications	124
Printing Characteristics	124
Customer Support	127
Printronix Customer Support Center	127
Printronix Supplies Department	128
Corporate Offices	129

Revision Record

260067-001A
260067-002A

First Issue
Introduction of S828+ model
(changes on pages 1, 7, 14, 119)

October 2017
September 2019

Printronix Products Information

Thanks for choosing the **Printronix S828** printer models.

Your printer is a reliable working equipment that will be very useful in your daily job.

Our printers have been designed to be compact and respectful of the work environment.

They offer a wide range of features and multiple functions that confirm the high technological level reached by the Printronix brand.

To maintain these printing performances unchanged in the long run, Printronix has developed specific Printronix branded consumables for each printer type (for example: ribbon cartridges for dot matrix printers) that assure an excellent operation with high printing quality level reliability.

Printronix recommends to use only its original Printronix branded consumables with original packaging (identified by its holographic label). In this way, a proper use of the printer at quality level stated in the product characteristics can be assured. All typical usage problems related to not certified consumables may be avoided, such as an overall quality print level degradation and, often, the reduction of the product life due to the fact that the proper working conditions for the print heads and other printer parts are not assured.

Moreover Printronix does not only certify its consumables in terms of working conditions but also carefully controls their compliance with the international standard rules concerning:

- no cancerous materials;
- no flammability of the plastic materials;
- other standards

Printronix advises the customers not to use products for which the compliance to this safety rules are not warranted.

Finally seek your dealer or contact a Printronix office and be sure that are provided you the original Printronix branded consumables.

Safety and Environmental Notices

Safety notices

There are two levels of safety notices: Danger and Cautions.

Danger hazard level

The word Danger indicates the presence of a hazard that has the potential of causing death or serious personal injury.

Most DANGER notices are numbered <1-1>, <1-2>, and so forth where they appear in the text of this manual.

Example of a Danger notice:



DANGER
<1-10> Hazardous voltages are present. Do not touch the pins or sockets of the power receptacle

Caution hazard level

The word Caution indicates the presence of a hazard that has the potential of causing moderate or minor personal injury.

Most CAUTION notices are numbered <2-1>, <2-2>, and so forth where they appear in the text of this manual.

Example of a Caution notice:



CAUTION:
<2-22> Carefully follow all cleaning instructions, using only the materials and solutions recommended.

Attention notices

The word Attention calls attention to the possibility of damage to a program, device, system, or data.

Attention notices are not numbered.

Examples of an Attention notice:

Attention: The above openings must always be protected with their covers. Do not touch inside and do not insert any object into these openings or into the gears.

Safety precautions

Never remove any printer cover except to install a printer accessory as expressly described in this manual.

**The above opening must always be protected with their cover.
Do not touch inside and do not insert any object into these openings or into the gears.**

Attention: The above openings must always be protected with their covers. Do not touch inside and do not insert any object into these openings or into the gears.

Electrical safety

This printer is inspected and listed by recognized national testing laboratories, such as Underwriters Laboratories, Inc. (UL) in the U.S.A. and Canadian Standards Association (CSA) in Canada. Listing of a product by a national testing laboratory indicates that the product is designed and manufactured in accordance with national requirements intended to minimize safety hazards. This equipment meets a very high standard of safety in design and manufacture. Remember, however, that this product operates under conditions of high electrical potentials and heat generation, both of which are functionally necessary.

Because the paper used in the printer can burn, you should take normal precautions to prevent fire. These precautions include common-sense measures, such as keeping potentially combustible materials (for example, curtains and chemicals) away from the printer, providing adequate ventilation and cooling, limiting unattended operation, and having trained personnel available and assigned to the printer.

Approved power cord and receptacle



DANGER

<1-11> Your country may require an approved power cord and plug.

Ensure that you have the correct power cord and plug. Use this cord and plug only with an approved, correctly-installed power receptacle.

Electrical safety and portable power strip receptacles

Extension cords



DANGER

DANGER<1-1> Do not use an extension power-cord.

The customer must supply the correct electrical outlet which must meet the requirements stated under "Printer Specifications" in the Administrator's Manual.

Portable power strip receptacles (temporary power taps)

Portable power strip receptacles (referred to as "temporary power taps" by the National Electrical Code) may be used if they are fully approved in the customer's geographic location. It is the customer's responsibility to supply a fully approved "temporary power tap", if one is to be used.

Connecting or disconnecting a communication port or an attachment connector



DANGER

<1-14> Switch off printer power and unplug the printer power cord before connecting or disconnecting a communication port, a teleport, or other attachment connector.

Servicing during an electrical storm



DANGER

<1-13> Do not connect or disconnect a communication port, a teleport, or any other connector during an electrical storm.

FFC Notes

This equipment has been tested and found to comply with the limits for a Class A digital device, pursuant to Part 15 of the FCC Rules. These limits are designed to provide reasonable protection against harmful interference when the equipment is operated in a commercial environment. This equipment generates, uses, and can radiate radio frequency energy and, if not installed and used in accordance with the instruction manual, may cause harmful interference to radio communications. Operation of this equipment in a residential area is likely to cause harmful interference in which case the user will be required to correct the interference at his own expense. Properly shielded and grounded cables and connectors must be used in order to meet FCC emission limits. Printronix is not responsible for any radio or television interference caused by using other than recommended cables and connectors or by unauthorized changes or modifications to this equipment. Unauthorized changes or modifications could void the user's authority to operate the equipment. This device complies with Part 15 of the FCC Rules. Operation is subject to the following two conditions: (1) this device may not cause harmful interference, and (2) this device must accept any interference received, including interference that may cause undesired operation.

European Union (EU) Conformity Statement

Printronix declares that this product is in compliance with the essential requirements and other relevant provisions of Directive 2014/35/EU (LVD Standard) and 2014/30/EU (EMC Standard).

Per the applicable requirements of EU directive 2006/42/EC ("machines") sound pressure of the above product (measured according to EN ISO 7779-2001) does not exceed 70dBA.

This product has been tested and found to comply with the limits for Class A Information Technology Equipment according to European standard EN 55032. The limits for Class A equipment were derived for commercial and industrial environments to provide reasonable protection against interference with licensed communication devices. **Important** This is a Class A product. In a domestic environment this product may cause radio interference in which case the user may be required to take adequate measures.

Properly shielded and grounded cables and connectors must be used in order to reduce the potential for causing interference to radio and TV communications and to other electrical or electronic equipment. Printronix cannot accept responsibility for any interference caused by using other than recommended cables and connectors.

Industry Canada Compliance Statement

This Class A digital apparatus complies with Canadian ICES-003.

Cet appareil numérique de la classe A est conforme à la norme NMB-003 du Canada.

Statement for CISPR 22 Edition 2 Compliance

Attention: This is a Class A product. In a domestic environment this product may cause radio interference in which case the user may be required to take adequate measures.

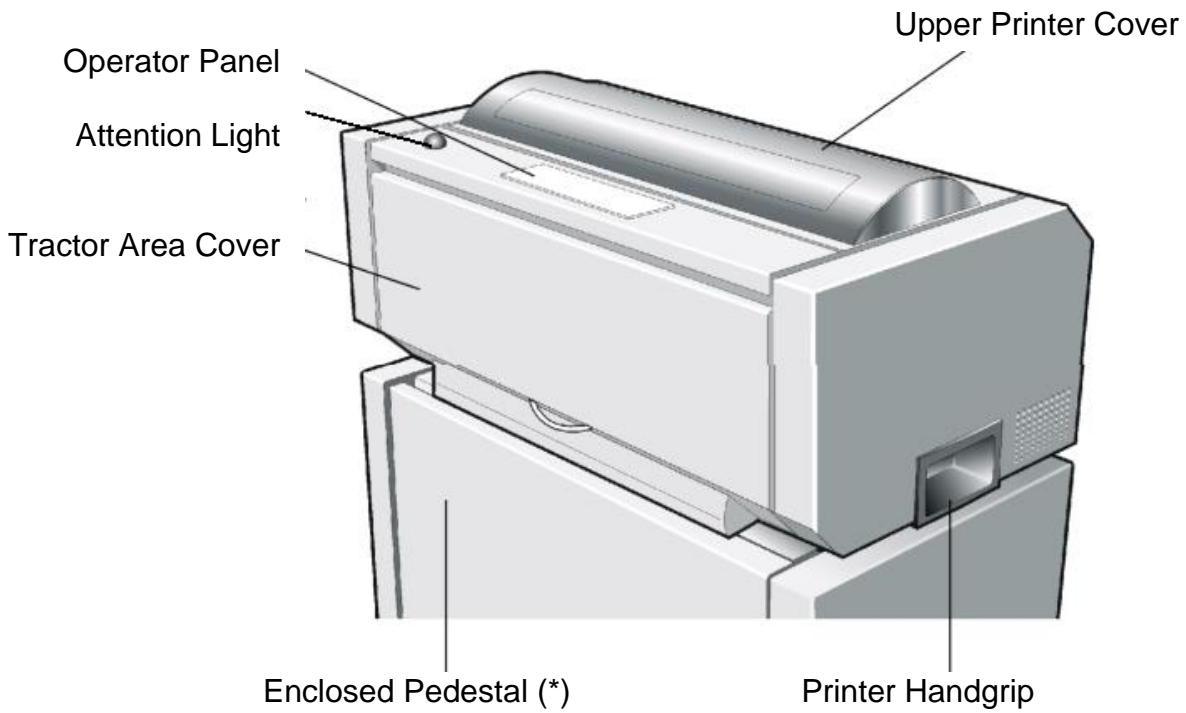
Getting to Know Your Printer

Printer Features (model type S828 and S828+)

- 18 Needle Print Head
- 136 columns @10 cpi
- High speed Draft printing at 900 cps, Draft printing at 800 cps, NLQ printing at 232 cps
- IBM Proprinter III XL , Personal Printer 2381+, EPSON FX Series, ANSI X3.64 emulations
- Base paper handling configuration: Front1 push path (Fanfold with 6 pins sprockets and paper jam sensor detection)
- Multiple copies (1 original and 7 copies)
- Automatic paper path selection
- Easy operability via operator panel setup and S/W commands
- Usage of all specific features by means of the Specific Software Driver which is applicable to the most popular S/W Packages
- Plug & Play capability for Windows 95/98/2000/XP/NT4.0/Millennium ®/Vista/Win7(32 & 64bit), Windows8, Windows10
- Single controller with four interfaces: Ethernet 10/100 Base-T interface option, Bi-directional IEEE 1284 parallel interface, serial RS-232/C interface and USB interface
- Optional Front2 push path (Fanfold with 6 pins sprockets and paper jam sensor detection)
- Optional printer pedestal

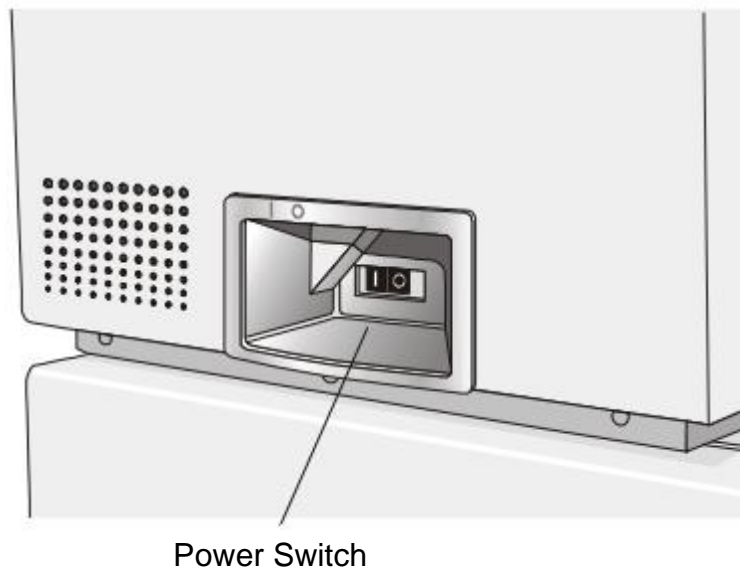
Printer Parts

Front View

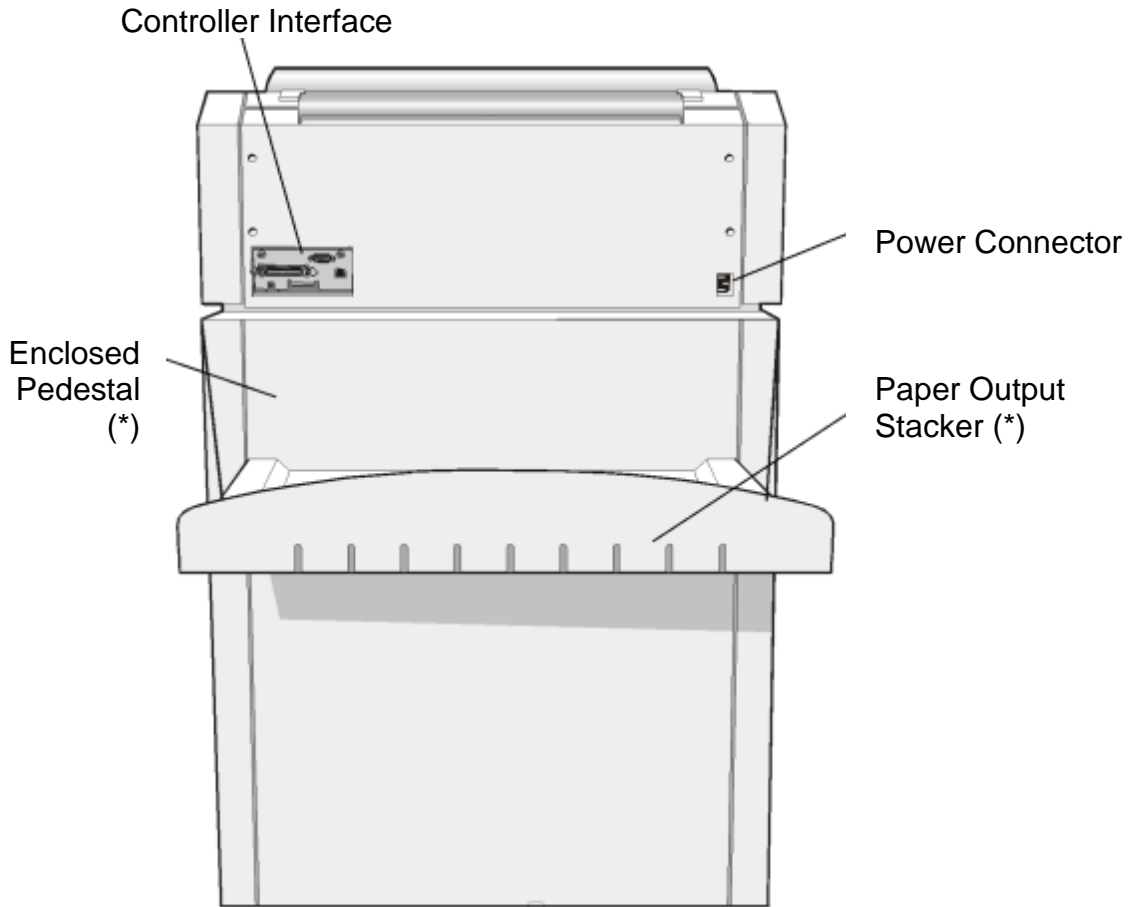


(*) The Enclosed Pedestal is available as an option.

Left Side View

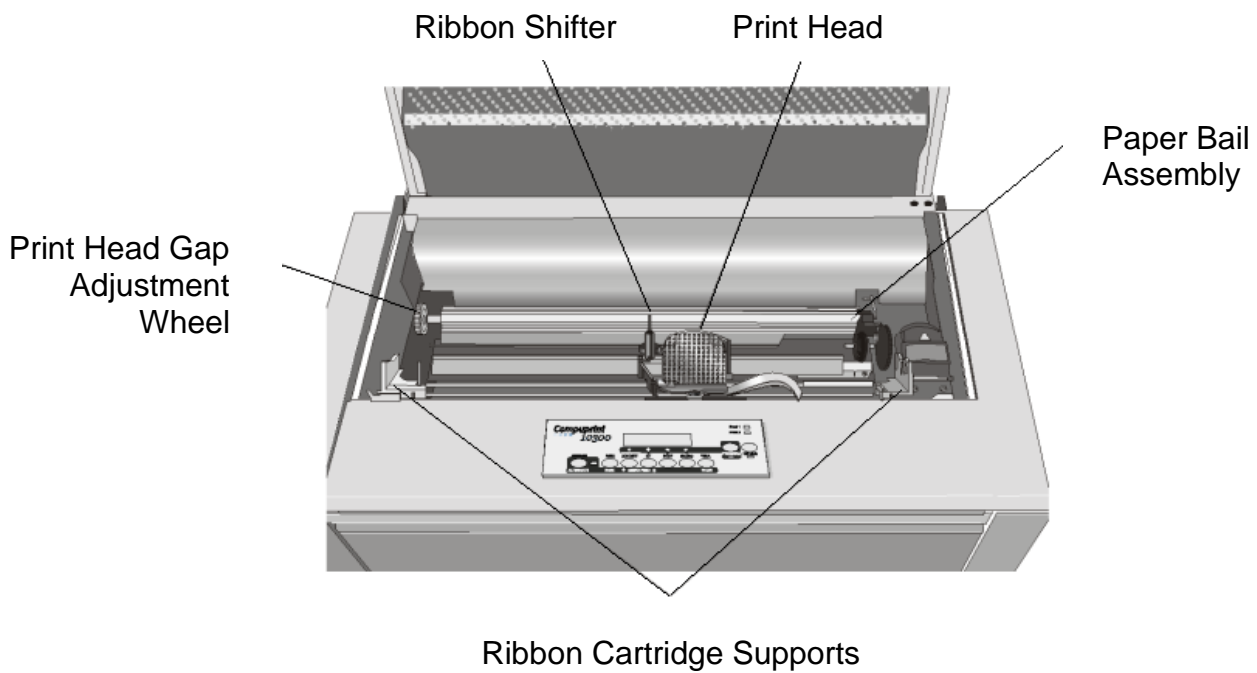


Rear View



(*) The Enclosed Pedestal with Paper Output Stacker is available as an option.

Inside View



Setting Up Your Printer

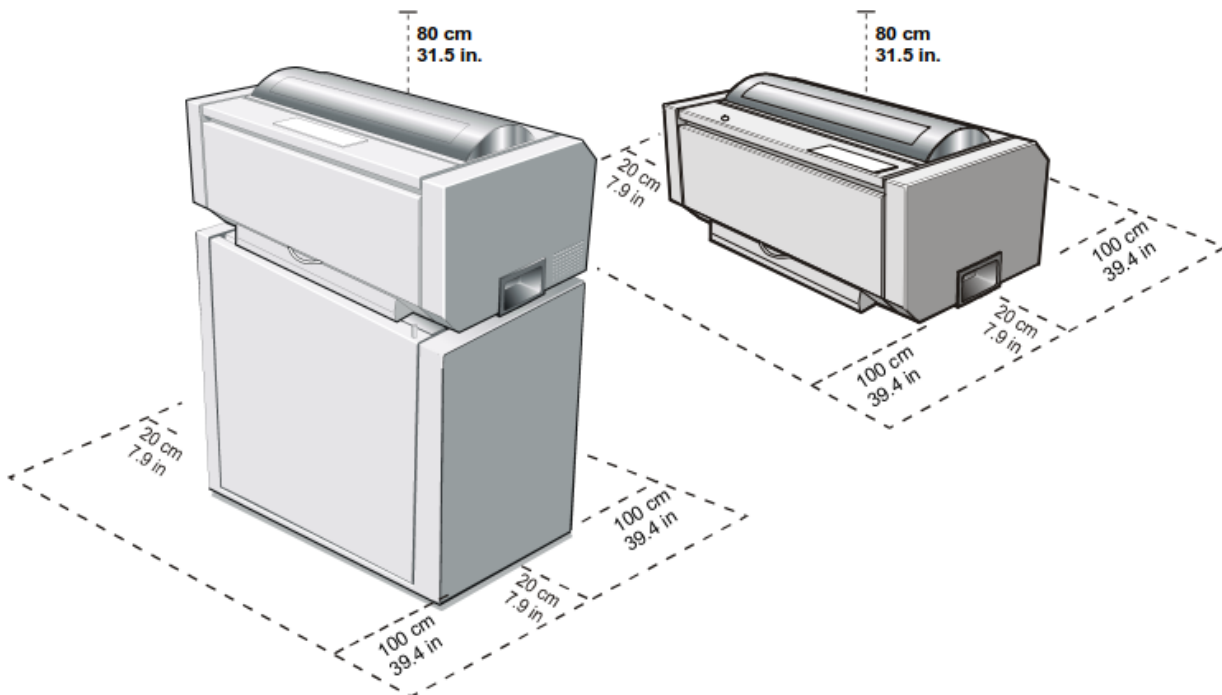
Choosing a Suitable Location

**CAUTION:**

The S828 printer weighs 33 kg (72 lbs). Two persons are required to lift it..

Consider the following points when you choose the location for your printer:

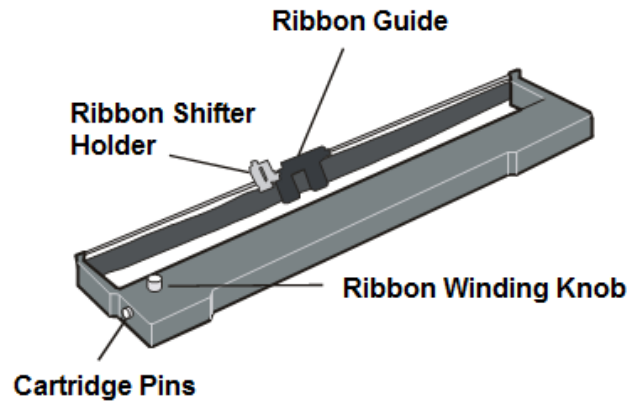
- The distance between the printer and the host computer must not exceed the length of the interface cable;
- The location must be sturdy, horizontal and stable;
- Your printer must not be exposed to direct sunlight, extreme heat, cold, dust or humidity (see "Printer Specifications " later);
- The power outlet must be compatible with the plug of the printer's power cord.
- There must be sufficient clearances on all sides for easy operation.
- The required space is shown in the figure:



Ribbon Cartridge Installation

Make sure that you are using only Printronix Genuine consumables

1. Make sure that the printer is turned off.
2. Find the ribbon cartridge among the accessories



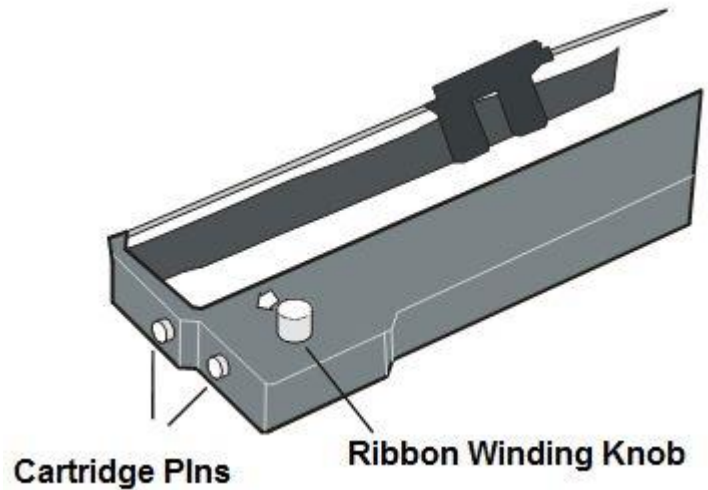
To be used when the ribbon shifter option is not installed

To be used when the ribbon shifter option is installed

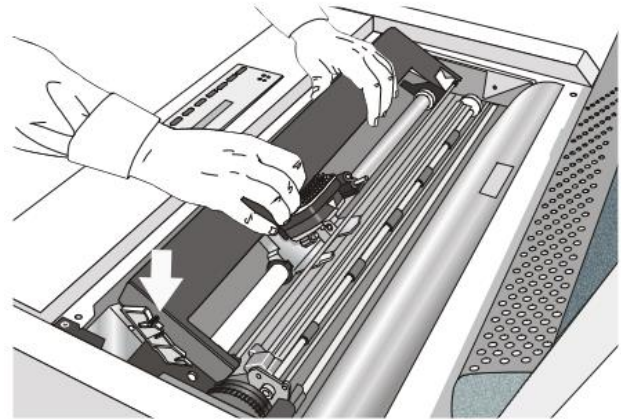
3. Turn the printer on and wait for printer initialization.
4. With the printer powered on, enter the OFF LINE status pressing the ON-LINE Key and then checking ON-LINE indicator unlit.
5. Open the top cover using the small handles on either side of the top cover



- Before installing the ribbon cartridge turn the ribbon-winding knob in the arrow direction (located on the cartridge) to take up slack in the ribbon

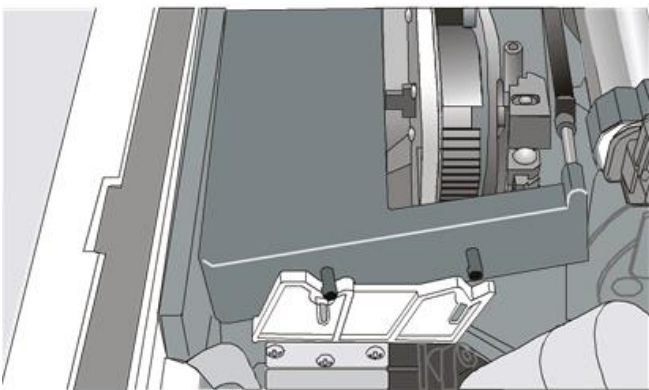


- Move the print carriage in the middle of the area to prepare it for ribbon cartridge installation

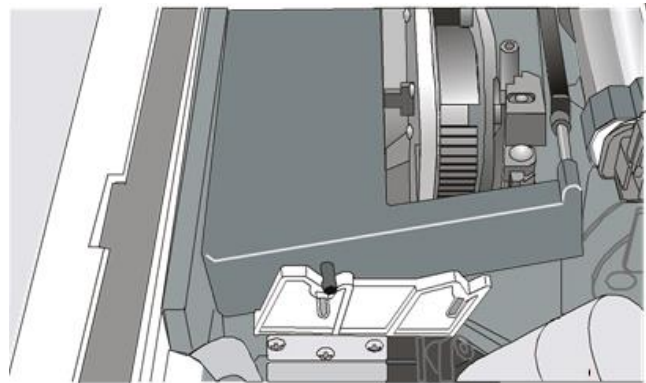


To avoid damage to the ribbon, do not turn the winding knob in the wrong direction

- Align the right and left cartridge pins with the printer locking points.



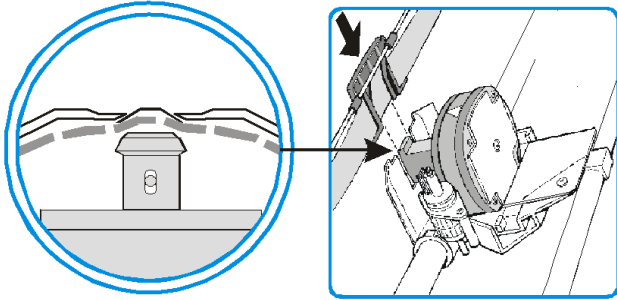
Black cartridge when the ribbon shifter option is not installed



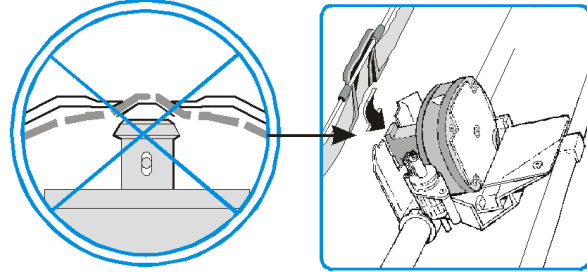
Black "Long Life" cartridge when the ribbon shifter option is installed

Slide and insert the ribbon guide between the print head and the ribbon guide mask holding it perpendicular to the print head.

Make sure that the ribbon is inserted correctly between the print head and the print head mask.

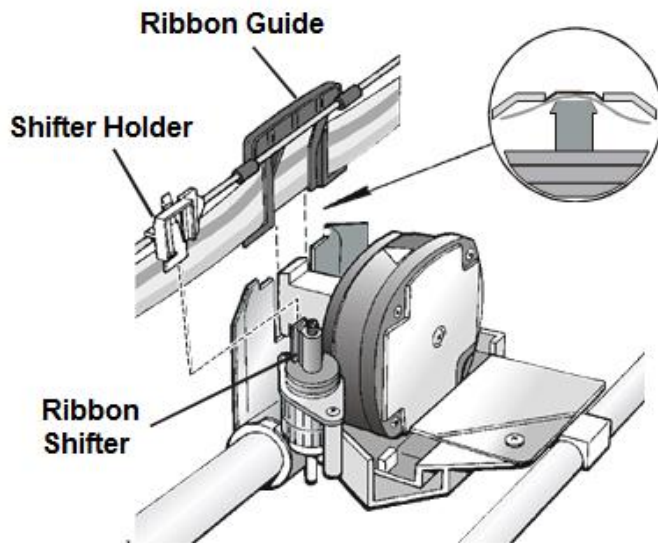


OK

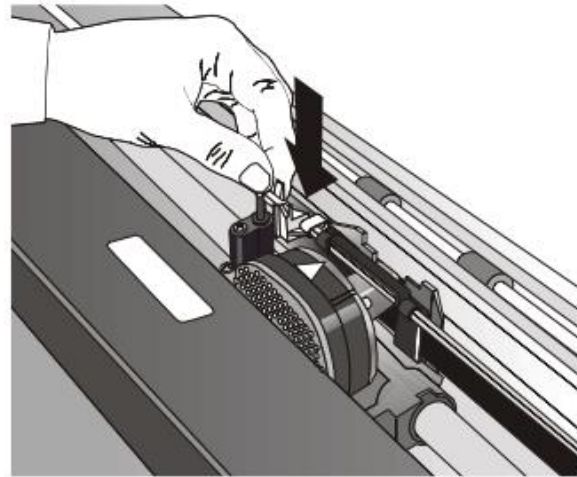


NO

8. If the shifter kit option is installed on your printer, insert the shifter holder onto the ribbon shifter as shown in this figure.

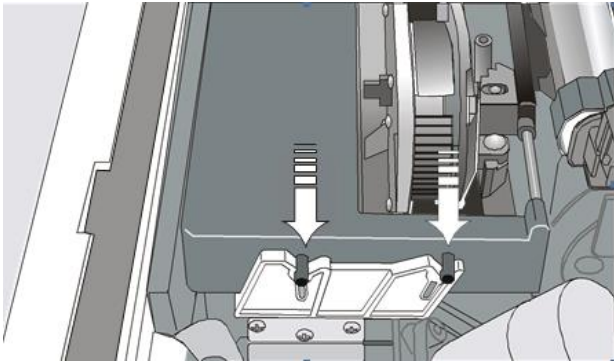


9. Insert the shifter holder onto the ribbon shifter as shown in the following figure.

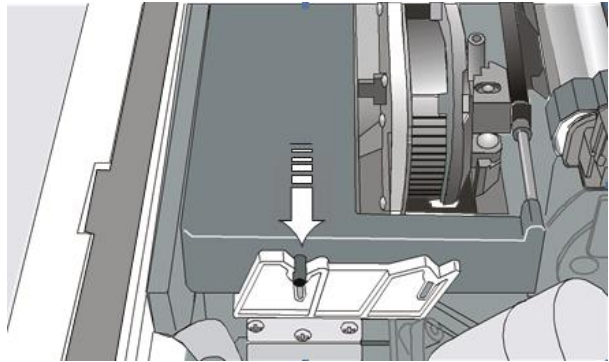


10. Turn the ribbon-winding knob in the arrow direction (located on the cartridge) to take up slack in the ribbon.

10. Push the cartridge down gently until it clips into place at locking points



Black cartridge when the ribbon shifter option is not installed



Black "Long Life" cartridge when the ribbon shifter option is installed

11. Turn the ribbon-winding knob again in the direction of the arrow to take up slack in the ribbon.
 12. To ensure that the ribbon guide runs freely along the ribbon, manually move the print carriage horizontally.
- If the used ribbon cartridge needs to be replaced, see "Replacing The Ribbon Cartridge", later in this manual.

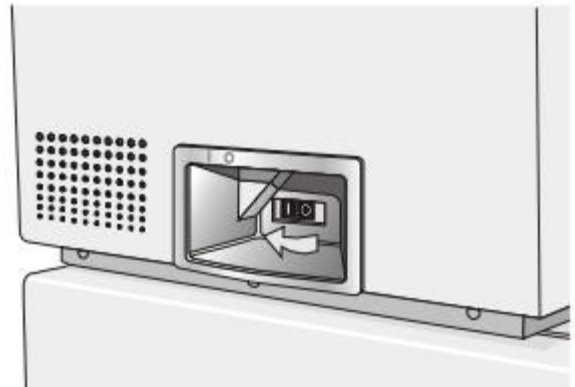
Power Connection



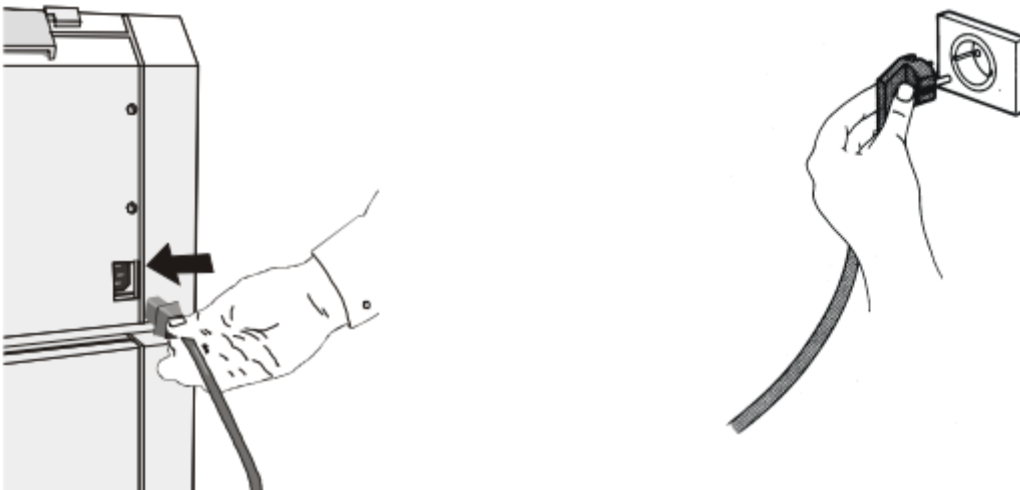
DANGER

<1-11> Your country may require an approved power cord and plug. Ensure that you have the correct power cord and plug. Use this cord and plug only with an approved, correctly-installed power receptacle.

1. Make sure the power outlet is near the printer location and easily accessible.
2. Make sure that the power switch is in *0 position* (OFF).



3. Insert the power cable plug into the printer connector and the other power cable end into a convenient 10A protected outlet for European market or 20A protected outlet for US Market (the figure shows the European version).



4. If you need to turn the printer on, press the power switch in the *I position* (ON).

Host Computer Connection

The S828 printer can be connected to your host computer via different available interfaces on a single controller.



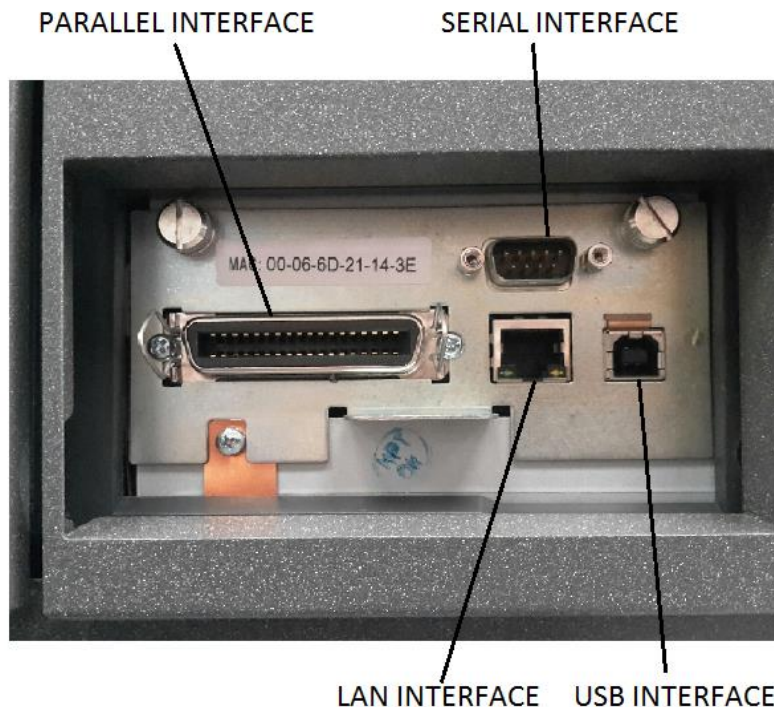
DANGER

<1-14> Switch off printer power and unplug the printer power cord before connecting or disconnecting a communication port, a teleport, or other attachment connector.

The controller provides the following four interfaces:

- A bidirectional IEEE1284 parallel interface
- A RS-232C serial interface
- An USB interface.
- An Ethernet LAN interface (optionally IPDS over Ethernet LAN Interface).

The interface connectors are located on the rear of the printer.



Driver Installation

Windows Environment

At this point it is necessary to configure your printer for your Operating System. The installation procedures depend upon the host environment.

**The printer drivers of all current Printronix printers can be found at
<http://www.Printronix.com>**

Starting from WINDOWS 95/98/2000/XP/NT4.0/Millennium®/Vista/Win7/Win8/Win10 environments the printer supports the Plug & Play feature.

LAN Connection

To work under LAN (Local Area Network) it is mandatory to set the LAN Interface Through the Printer Operator Panel to match the network setting. See later on the specific LAN configuration chapter. Contact your system administrator for the correct values.

In the Local Area Network printing environment, the PCs can share a printer, that is, different users can use the same printer.

Software installation must be carried out on every PC requiring access to the Printronix printer.

For the communication between the PCs and the Printronix printer is necessary that the same LAN protocol is used for all connected devices: the TCP/IP or the NetBEUI protocol in a Windows environment.

From Windows XP the O.S. gives automatically the function to create a TCP/IP port and connect the printer in a TCP/IP protocol.

Monitoring Printer & Remote Printer Configuration in LAN using a Browser

The LAN interface of the printer has a built-in web pages which can be used for monitoring the status of the network printer and for the remote configuration.

Following procedure describes the use of an Internet Browser (i.e.: IE, Mozilla, Chrome, etc.)

To browse the printer Home web page, enter the IP Address as web page address.

The IP Address must correspond with the IP Address set in the INIT IP ADDRESS parameter of the LAN INTERFACE item

Home Page

The Printer Home Web Page screen appears as the mask on the right:



This Printer Home Web Page shows the current status of the printer :

Product Name:Printronix S828

MAC Address: xxxxxxxxxxxx

Printer Base Code: Version 1.00

Product Description: Printronix S828 Impact Matrix Printer

And can activates following types of information about the printer:

Printer Configuration: printer setting that you can configure by remote control.

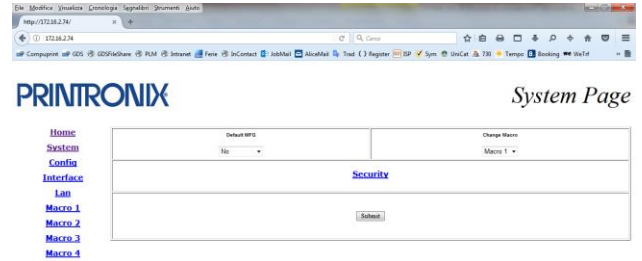
Product support: reference to contact Printronix support

Power On Reset: feature to reboot the printer

When click on Printer Configuration the System Page is opened:

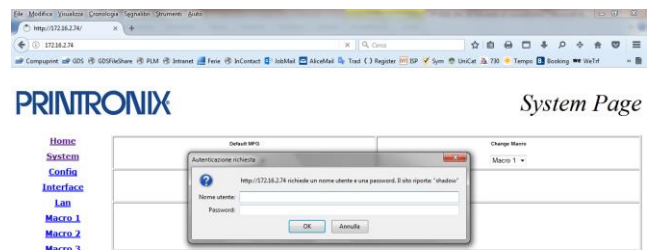
It is possible to choose :

- Loading the default factory setting parameters overwriting the current ones for all setup pages (All, Macro, Configuration)
- Setting the default Macro at power on
- Setting the security password
- Select one of the different webpages (Home, System, Config, Interface, Lan, Macro#) described hereafter.



System Page

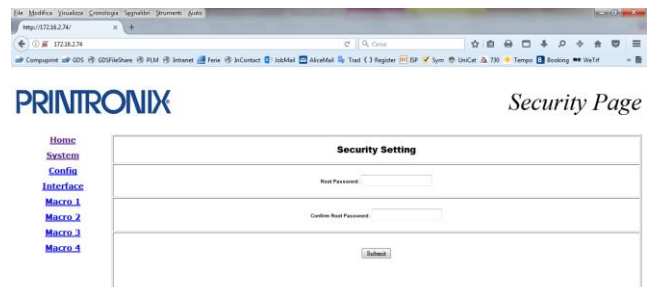
In the System Page click on Security Setting button. The first time the following screen appears:



Type root for User Name
Type root for password

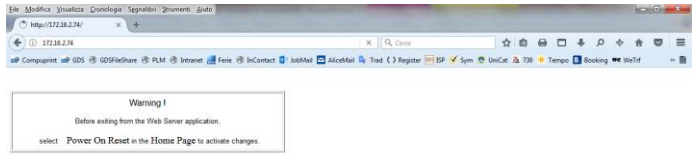
Security Page

It is now possible to indicate a new password to protect the setting



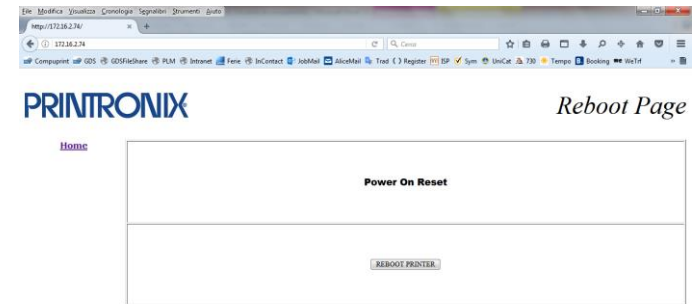
Security Page

The following screen appears

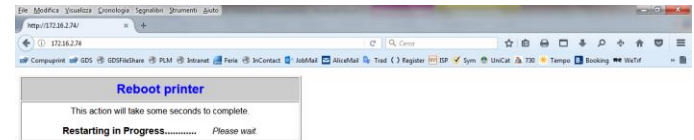


REMARK

Remind you that it is necessary to select Power on Reset button to go to Reboot Page and save the changes.



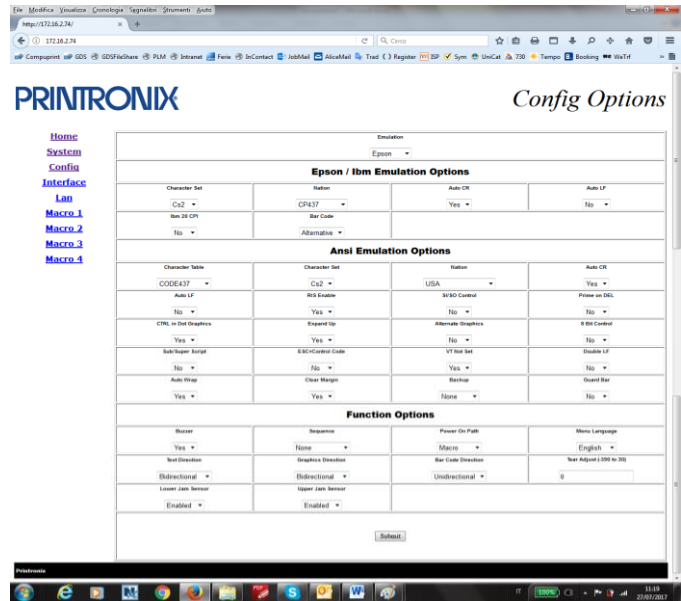
Screen after Reboot Printer action



Printer Configuration

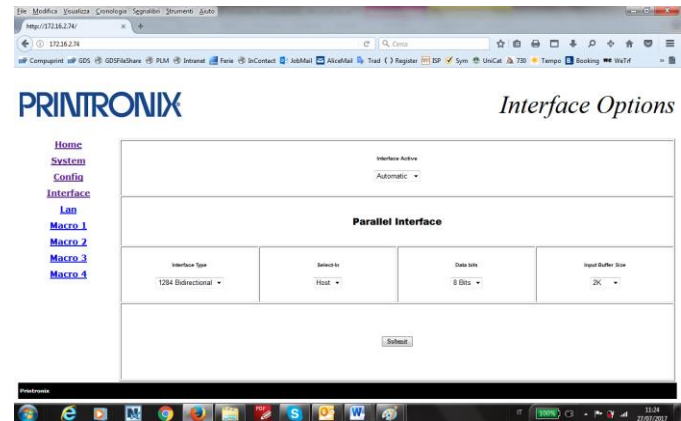
Config Options Page

To obtain the Printer Configuration information tables, click on the respective left button. This page contains a series of tables with the corresponding printer set-up. For a detailed description of each parameters and values refer to the Configuration chapter later on in this manual. This is the Configuration Options Page



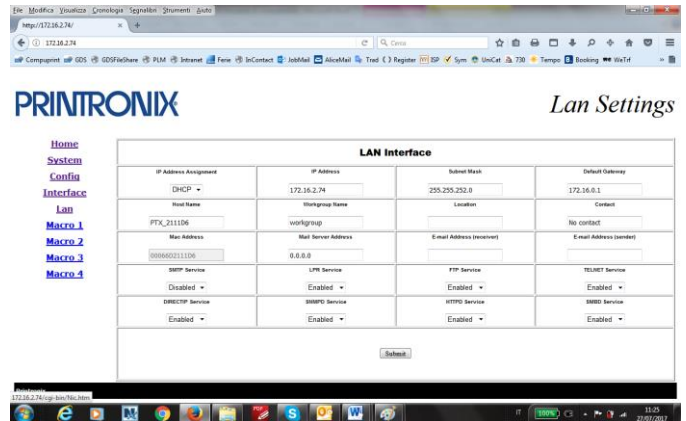
Interface Options Page

This is the Interface Options Page



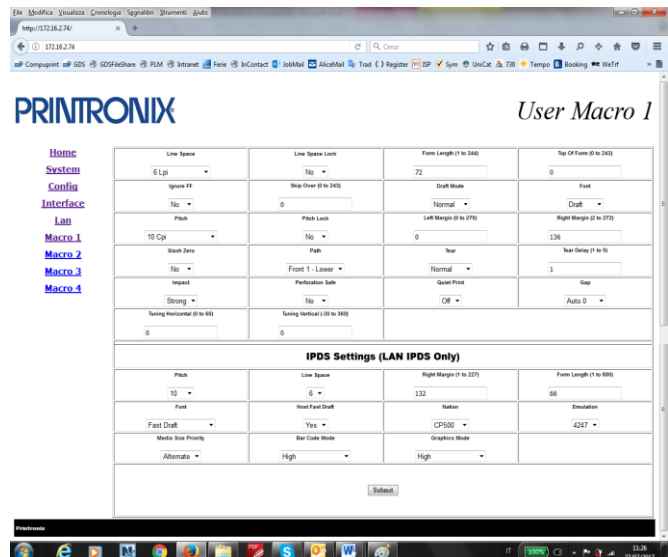
Lan Settings Page

This is the Lan Setting Page



User Macro# Page

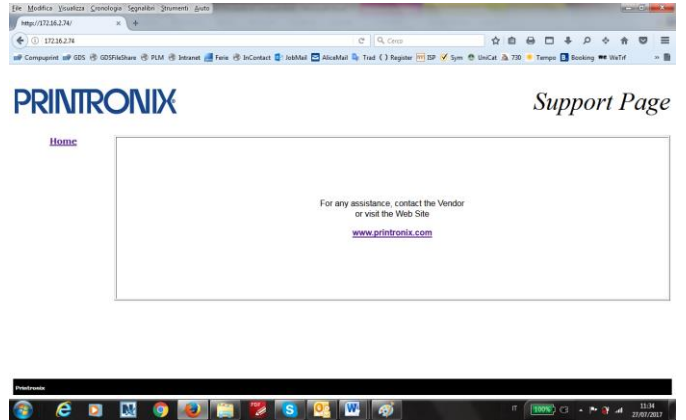
This is the User Macro# Page



You can now choose the network printer configuration. When the parameters are set as necessary, click on the Submit button at the end of the table. If a password has already been set in the Security item, to enter the remote printer configuration mode you need to type the network password

Support

This is the Printronix Support Page



Remote Printer Management Utility (RPMU)

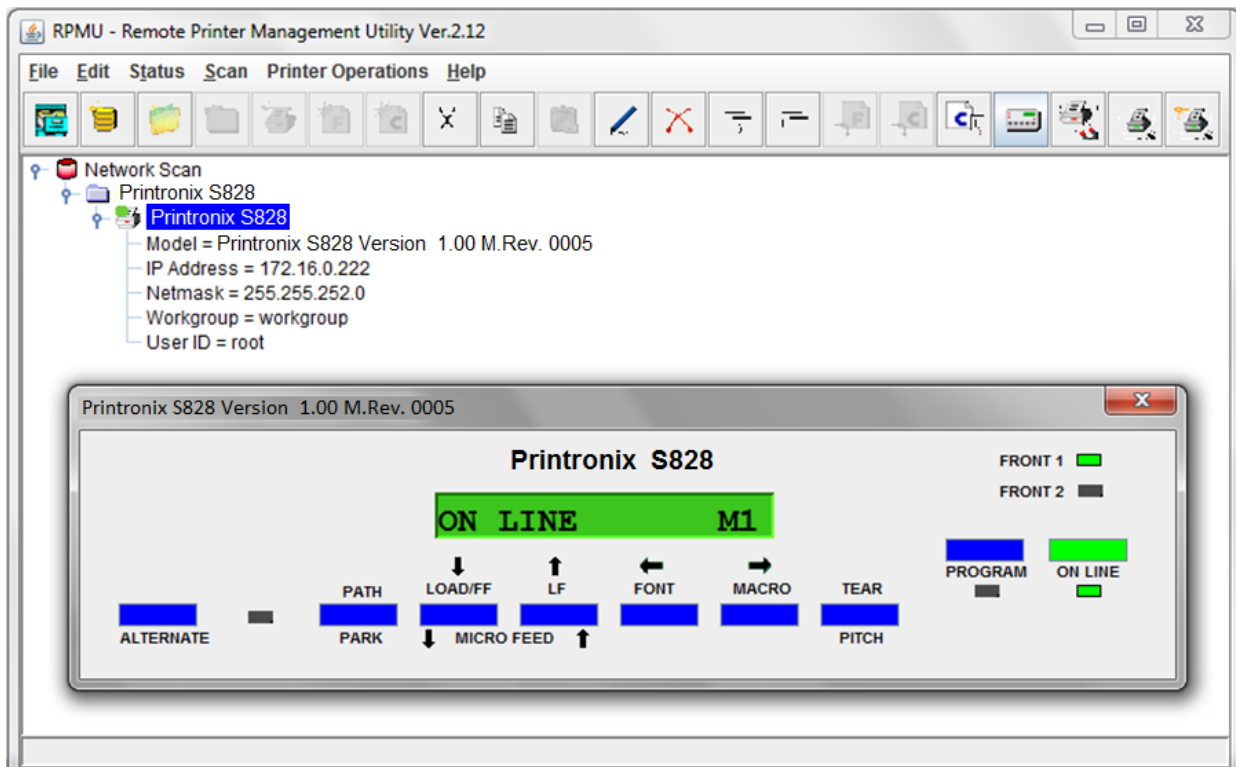
The Remote Printer Management Utility (RPMU) is a software tool for network administrators that allows the configuration and control of Printronix Serial Dot Matrix and Transactional Dot Matrix Printers remotely connected to the Ethernet LAN. With this tool the installed printers may be controlled, configured and organized easily.

Detailed information can be found in the Remote Printer Management Utility Administrator's Manual at Printronix.com.

The main features are the following:

- Device Discovery: searches for the devices within a range of IP addresses.
- Printer Organization: the printers connected to the network can be organized into logical groups in a hierarchically structured tree.
- Printer Status Report: checks the printer's status and reports alarms
- Printer Configuration: the remotely connected printers may be configured as needed from the administrator's workstation.
- Firmware Updating: provides a firmware downloading function to upgrade both the base and the LAN card firmware.
- Remote Operator Panel Management: provides a virtual operator panel for the remotely connected printer at the administrator's workstation that allows to perform all functions normally achieved pressing the operator panel keys.

The RPMU also provides the basic status management for third-party printers compliant to the standard MIB objects. The RPMU is a Java based application and can be run on any platform supporting the Java Run Time Environment version 6 or newer.



4. Enter the *Logical Port Name*.

The Logical Port Name is "prt1".

```

Command Prompt - telnet loki
-----
Printer installation wizard < cmpinstall 1.0.0 Beta >
DATE : mar mag 22 10:17:15 CEST 2001
-----
Remote Host Name <Ex. 192.168.0.100 > -> 10.0.252.201
Logical Port <Ex. cmplp > -> prt1_

```

5. Enter the Print Server Name.

The printer server name is "ps1".

```

Command Prompt - telnet loki
-----
Printer installation wizard < cmpinstall 1.0.0 Beta >
DATE : mar mag 22 10:17:15 CEST 2001
-----
Remote Host Name <Ex. 192.168.0.100 > -> 10.0.252.201
Logical Port <Ex. cmplp > -> prt1
Print Server Name <Ex. lp>-> ps1

```

6. If this configuration is ok , enter "y" to confirm.

```

Command Prompt - telnet loki
-----
Printer installation wizard < cmpinstall 1.0.0 Beta >
DATE : mar mag 22 10:17:15 CEST 2001
-----
Host information :
- Type : Linux
- Name : loki
-----
Queue information :
- Name : ps1
- Port : prt1
- Remote : 10.0.252.201
-----
Config directory :
- Spool : /var/spool/lpd/ps1
- Printcap : /etc/printcap
-----
Choiche <Y/N> -> y

```

The installation is now complete. If you want to print the test file, enter the *lpr -Pps1 test* command.

Linux 7.x & Solaris 7.x Operating Systems

To configure the printer for the Linux 7.x and Solaris 7.x operating systems, follow the corresponding procedure described below:

Configuring a Remote Printer for the Red Hat Linux 7.x Operating System

1. Open the `/etc/hosts` file as *root user* in a Terminal windows.
2. Add the *IP address* and the *Printer Name* information.
Here is an example of an `/etc/hosts` file:

Ip-address	Printer-name
10.0.128.220.1	prt1
10.0.128.220.2	prt2
3. Type `"printconf-gui&"` from a prompt
4. Click *New* button. You are asked to enter a *queue name* for the printer. Type the *queue name* you want.
5. Then select `"Type of queue"`. Select *Unix Printer (lpd queue)* in the `"Queue type"` box.
6. Insert the *printer name* used in `/etc/hosts` file (i.e. *prt1* or *prt2*) in the `"Server"` or `"Remote Hosts"` box.
7. Insert the *local spool directory* (where the print jobs for the Unix computer are to be placed) in the `"Queue"` or `"Spool Directory"` box.
8. Select *text only* in the `"Printer Driver"` box. Set up the configuration you want and then click *OK* button.
9. Click *File ->Save Changes* in the `"printconf-gui"` window.
10. Restart *lpd* to have (let) the printer daemon receive the new printer entry.

If the print job is rejected when it is sent to test the printer, ask the remote computer's administrator to check permission in the `"/etc/lpd.perms"` file

Configuring a Remote Printer for the Solaris 7.x Operating System

1. Open the `/etc/hosts` file as *root user* in a Terminal windows.
2. Add the *IP address* and the *Printer Name* information

Here is an example of an `/etc/hosts` file:

Ip-address	printer-name
10.0.128.220.3	prt1
10.0.128.220.4	prt2

3. Type `"admintool&"` in a Terminal windows.
4. Select *Browse* button and then *Printers*.
5. Select *Edit->Add->Access to Print* in the `"Admintool Printer Menu"`.
6. Insert the printer name you want in the `"Printer Name"` box.
7. Insert the printer name used in `/etc/hosts` file (i.e. *prt1* or *prt2*) in the `"Printer Server"` box.
8. Click *Apply* and then *OK* button.

Now you are ready to use the printer.

AS/400 Environment

Configuring AS/400 for ASCII (TCP/IP protocol) Configuring with ADDTCPIFC

ADDTCPIFC is used to add a TCP/IP interface to AS/400. This step configures the AS/400 for connection to a TCP/IP

1. At the AS/400 command line, enter the following command:

```
ADDTCPIFC
INTNETADR('127.000.000.000')LIND(ETHLAN)
SUBNETMASK ('255.255.254.000')
```

This screen should look like the following one:

```
Internet address      127.000.000.000.
.....:
Subnet Mask          255.255.254.000.
.....:
Line                 ETHLINE
.....:
```

To specify the IP Address and the Subnet Mask, see the values set in the LAN Configuration parameters.

Configuring a Router Definition with ADDTCP RTE

If necessary, use the ADDTCP RTE command to create a route definition. This is required if the printer is somewhere other than a local segment.

Configuring a Local Domain and Host Name

The AS/400 print commands require a local name and host name. If you have already configured LAN attached TCP/IP printers on the AS/400 system, you will have a local domain name and hostname configured on the system. To configure the local domain, you will run the CFGTCO command.

Configuring a TCP/IP Host Table Entry

Although it is optional to create a TCP/IP host table entry, it is suggested that you take this step. Add the AS/400 name and the LAN IP address to the "Host Table Entries".

Configuring AS/400 for Printing

The procedure for configuring an AS/400 for printing requires that you:

1. Setup the printing capability
2. Verify the setup with a print job

In order to accomplish this configuration, you need the following information:

- a. Remote Printer Queue Name. Set for any of 'pr1' through 'pr4'.

The Remote Printer Queue name must be all lower case.

- b. IP Address

See the IP Address value set in the parameter of the LAN INTERFACE item in the Power-On Configuration setup.

Setting up Printing for ASCII Files

The next step in configuring the AS/400 is to setup the remote printing capability.

There are two ways to do this:

1. You can specify the LPR parameters Manually each time you send a file to the printer
2. Use remote writer and a remote output queue for automatic printing to the printer

To Use LPR Manually

1. Start TCP/IP, if it not already running, by entering the STRTCP command
2. At the AS/400 command line, enter 'LPR'.
3. The following example shows only the parameters you need to specify:

Remote System	RMTSYS	INTNETADR
Printer Queue	RTQ	d1prn
Destination Type	DESTTYP	OTHER
Transform SCS to ASCII	TRANSFORM	YES
Manufacturer Type and Model	MFRTYPMDL	IBM6400EP
Internet Address	INTNETADR	127.000.000.000

where:

- Remote System: enter the host name of your printer or INTNETADR, which then prompts you to specify the IP address of your printer.
- Printer Queue: set to "pr1" through "pr4". The remote printer queue name must be all lower case, entered in single quotes.
- Destination Type: specify "OTHER" for the DESTTYP parameter.
- Transform: specify "YES".
- Manufacturer Type and Model: select a manufacturer type and model. Select "IBM6400EP" for Epson emulation or "IBM6400" or "IBM42023" for IBM Proprinter.
- Internet Address: specify the IP address of the printer.

To Create an Automatic Remote Output Queue

1. From the AS/400 command line, enter CRTOUTQ.
2. The following example shows only the parameters you need to specify:

Output Queue	OUTQ	USERNAME
Remote system	RMTSYS	INTNETADR
Remote printer queue	RMTprtQ	d1prn
Writer to Autostart	AUTOSRTWTR	1
Connection type	CNNTYP	IP
Destination type	DESTTYP	XAUTOQXAIX
Transform	TRANSFORM	YES
Manufacturer type	MFRTYPMDL	IBM6400EP
Internet Address	INTNETADR	127.000.000.000

where:

- Output queue: enter the name of the AS/400 output queue.
- Remote System: enter the host name of your printer or INTNETADR, which then prompts you to specify the IP address of your printer.
- Remote Printer Queue: set to "pr1" through "pr4". The remote printer queue name must be all lower case, entered in single quotes.
- Writer to Autostart: set the value to "1".
- Connection Type: specify this value as "IP".
- Destination Type: specify "XAUTOQXAIX".
- Transform: specify "YES".
- Manufacturer Type: select a manufacturer type and model. Select "IBM6400EP" for Epson emulation or "IBM6400PR" or "IBM42023" for IBM Proprinter.
- Internet Address: specify the IP address of the printer.

Selecting the Display Language

The display messages for this printer can be displayed in five different languages: English (Default), French, German, Italian and Spanish. To select the language, that you prefer, proceed as follows:

1. Press the PROGRAM key and keep it pressed while powering on the printer until the following message will be displayed:

RELEASE KEYS

2. When you release the PROGRAM key, the following messages will be displayed

STARTING UP

then

S828 Rel. x.yz

then

PRINT OUT? NO

3. Press the ↓ key to enter the setup. The first setup item is displayed

EMUL. OPTIONS

4. Press the ↓ key until the language first level function is displayed:

FUNCTIONS

5. Press the → key to pass to the second level functions

BUZZER YES

6. Press the ↓ key until the setup language is displayed

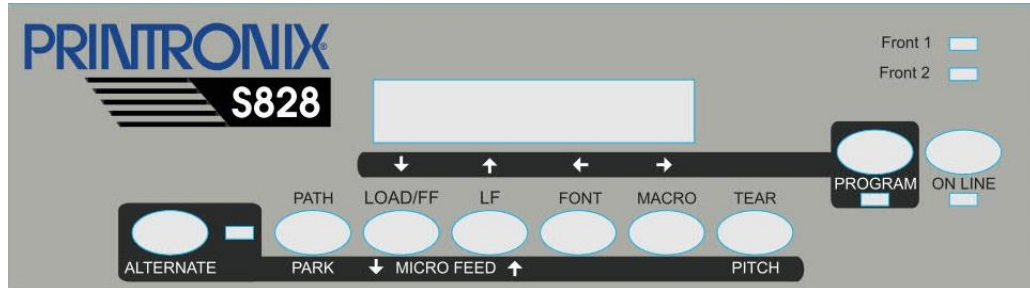
MENU ENGLISH

7. Press the → key to scroll the setup languages. When the desired language is displayed, press the PROGRAM key to select it. The printer exits the setup. From now on the display messages appear in the selected language.

Configuring the Printer

Operator Panel Presentation

The operator panel enables you to perform many of the printer functions including paper path selections, font selection and the printer setup.



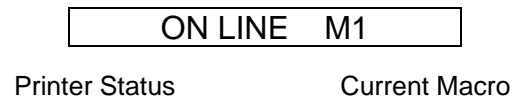
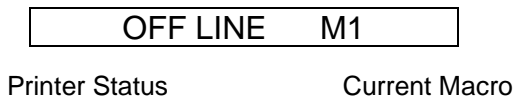
The operator panel consists of:

- A 16 character display (Liquid Crystal Display)
- Five led indicators
- Nine function keys

Display Messages

The printer display is used to indicate the printer status or to request an user intervention. When the printer is in Ready state, the display gives the following information:

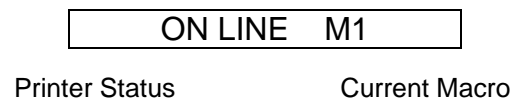
- when paper is already loaded and the printer is off line (ON LINE indicator unlit):
- when paper is already loaded and the printer is on line (ON LINE indicator lit):



Where:

OFF LINE	Indicates the printer status
ON LINE	
M1, M2, ME, M4, M5, M6, M7, M8	Indicate which of the four (or eight) User Macros is currently used. The N° depending by the Firmware level installed.

- when there is no paper loaded and the printer is off line (ON LINE indicator unlit):
- when there is no paper loaded and the printer is on line (ON LINE indicator lit):



Where:






LOAD FRONT1	Indicates that the currently selected paper path is out of paper. The messages are displayed only for the available paper paths, according to the installed devices.
LOAD FRONT2	
OFF LINE	Indicates the printer status
ON LINE	
M1, M2, ME, M4, M5, M6, M7, M8	Indicate which of the four (or eight) User Macros is currently used. The N° depending by the Firmware level installed.

The following messages appear to indicate other printer conditions or user intervention requests. The list is in alphabetical order.

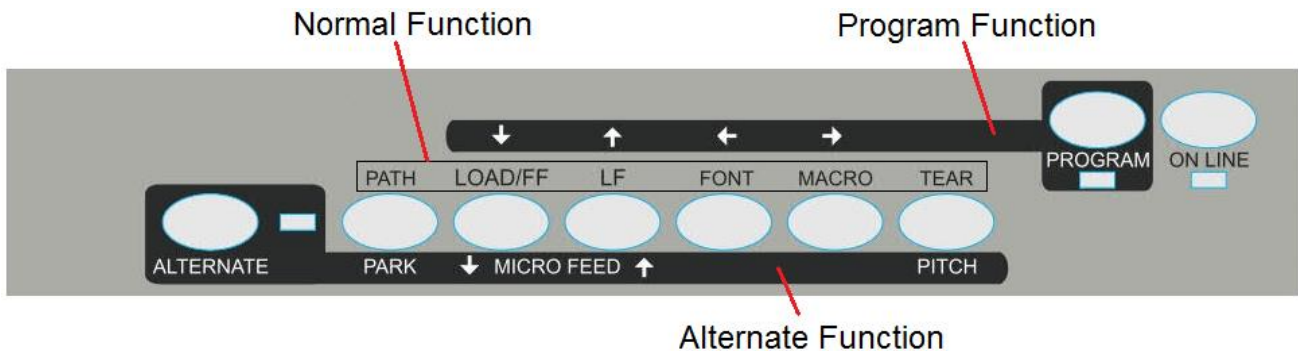
MESSAGE	DESCRIPTION
ALTERNATE	This message appears to indicate that the Alternate functions of the operator panel keys have been selected pressing the ALTERNATE key.
BUSY M1	This message appears to indicate that the printer is printing. It is busy
COVER OPEN CLOSE COVER	When the printer cover is not closed correctly, the buzzer sounds and the display shows alternately these two messages. Close the printer cover
INITIALIZING LAN	This message is displayed when the LAN is reset (only if the LAN interface is present)
INVALID KEY	This message is displayed if you push a key that is not allowed in the current printer status
LOAD FRONT1 LOAD FRON2	These messages are displayed when the corresponding paper path is out of paper. The printer displays only the messages related to the installed devices
LOCKED MENU	When the access to the Printer Setups has been locked at the power on, the printer displays this message
MACRO CHANGING	The macro has been changed and the printer is updating the settings
MICRO FEED DOWN	The paper is fed in microsteps downwards when pressing the ↓ arrow key
MICRON FEED UP	The paper is fed in microsteps upwards when pressing the ↑ arrow key
OPER.INTERRUPTED	This message is displayed if the ALTERNATE key has been pressed to interrupt a park procedure
PARKING	The printer is parking the fanfold paper
PARK PAPER TEAR IS NECESSARY	The parking action is run with the message for operator to tear the printed paper
PARK PAPER TEAR OFF PAPER	The parking action is already run but the paper remain in the printer path because too long (maximum paper length for automatic parking is 28" (711,2mm). The operator is advise to tear paper.
PATH CHANGING	The path has been changed and the printer is updating the settings
PRESS A KEY NVM CHANGED	The NVM has been changed. Press any key to set the printer. This message appears when the FW is updated.
RELEASE KEYS	This message is displayed when you can release the ON LINE key in the Self-test selection or the PROGRAM key in the Power-on Configuration procedure
REMOTE CONTROL	This message is displayed when the printer operates from remote control (only if the LAN interface is present).
RESET & BREAK	This message is displayed when the input buffer corresponding to the active interface is cleared
SELF TEST	Printing the self-test page.
STARTING UP	The starting-up phase after power on is running
TEAR IF NECESS. EJECT PAPER	These messages are displayed when the printer receives a paper parking command and the TEAR NO item is selected for the tear-off function. Tear off the fanfold then press the PARK key to eject the paper
TEAR IF NECESS. PARK PAPER	These messages are displayed when the printer receives a paper parking command. Tear off the fanfold paper if necessary and then press the PARK key to park the paper
UNLOCKED MENU	When the access to the Printer Setups has been unlocked at the power on, the printer displays this message
WAITING CODE	The special function to download a new FW Release is running
UNLOCKED MENU	When the access to the Printer Setups has been unlocked at the power on, the printer displays this message

For the error messages see "Error Handling" later in this manual

Indicators

 ON-LINE	<ul style="list-style-type: none"> • Lit when the printer can receive and print data (printer online). • Blinks when there is data in the buffer and the printer is offline. • Unlit when the printer is disabled and the buffer does not contain any data, or during the initialization, setup or tests
 PROGRAM	<ul style="list-style-type: none"> • Lit when one of the printer setup procedures has been selected: Program Configuration or Power-On Configuration
 ALTERNATE	<ul style="list-style-type: none"> • Lit when the alternate function of the keys has been enabled pressing the ALTERNATE key
 FRONT 1	<ul style="list-style-type: none"> • Lit when the Front1 paper path is selected • Unlit when the Front1 paper path is not selected
 FRONT 2	<ul style="list-style-type: none"> • Lit when the Front2 paper path is selected • Unlit when the Front2 paper path is not selected

Function Keys



Pressing the function keys it is possible to activate the functions indicated by the word or symbol signed near the key. Each key may have different functions, according to the selected function modes: *Normal*, *Alternate* or *Program*.

Normal Function	The normal function of the keys is written above the keys and does not require any previous action to select it.
Alternate Function	The alternate function of the keys is written below the keys and is selected pressing the ALTERNATE key. When the alternate function of the keys is selected, the ALTERNATE indicator is lit and the display shows ALTERNATE.
Program Function	The program function of the keys is selected pressing the PROGRAM key, where: <ul style="list-style-type: none"> • If you press the key while powering the printer on, the Power-On Configuration is selected. • If you press the key when the printer is enabled without printing or disabled (ON LINE indicator unlit), the Program Setup is selected. • In the Program Setup mode only the four arrow keys and the PROGRAM key are enabled and the PROGRAM indicator is lit
Special Function	The special function means a specific function of a key or a combination of two or more keys. The detailed function can be found in the Maintenance Manual of the printer.

ON LINE Key

ON LINE	Normal Function	Enables or disables the printer. <ul style="list-style-type: none"> If this key is pressed while powering the printer on, the self test is printed; the printout is stopped pressing this key again. In an error condition, once the error cause has been removed, press this key to enable the printer Pressing this key with MACRO and TEAR, lock or unlock the access to the printer setups. See later "How to Lock/Unlock the Printer Setups" section.
	Program Function	Pressing this key, the input buffer is cleared. The message RESET & BREAK is displayed
	Special Function	Pressing this key together the MACRO key at power on starts the T&D tests (Test & Diagnostic).

PROGRAM Key

PROGRAM	Normal Function	Enables the printer setups as follows: Pressing this key while powering on the printer, the Power-On Configuration is selected. Pressing this key when the printer is enabled without printing or disabled the Program Setup is enabled (PROGRAM indicator lit).
	Program Function	Exits the printer setups

MACRO Key

MACRO	Normal Function	<ul style="list-style-type: none"> Selects one of the user macros (Macro 1, Macro 2, Macro 3 or Macro 4). If you want to select the displayed macro, wait for 2 seconds without pressing any key and the parameters of this macro will be set. Pressing this key with ONLINE and TEAR, lock or unlock the access to the printer setups. See later "How to Lock/Unlock the Printer Setups" section.
→	Program Function	Scrolls the parameters of the functions or macros forwards
	Special Function	Pressing this key together the ON LINE key at power on starts the T&D tests (Test & Diagnostic)

FONT Key

FONT	Normal Function	Selects the font to be used with the currently selected pitch. The selected font is valid until the printer is turned off or a new font is selected using this key.
←	Program Function	Scrolls the parameters of the functions or macros backwards.
	Special Function	Pressing this key together the ALTERNATE key at power on resets the Printer Statistic.

LF Key

LF	Normal Function	Performs a line feed according to the current line spacing settings.
MICROFEED	Alternate Function	Moves the paper forward in microsteps. Keeping the key pressed the paper is moved continuously at increasing speed.
↑	Program Function	Scrolls the setup and macro functions backwards..
	Special Function	Pressing this key together the MACRO key at power on starts the updating of the FW Release

LOAD/FF Key

FF	Normal Function	Executes a Form Feed (FF). When paper is loaded into the printer, it advances to the following page; if no paper is advanced, it is positioned for printing
MICROFEED	Alternate Function	Moves the paper backward in microsteps. Keeping the key pressed the paper is moved continuously at increasing speed.
↑	Program Function	Scrolls the setup and macro functions forwards..

ALTERNATE Key

ALTERNATE	Normal Function	<p>Enables the alternative key functions.</p> <p>If the printer is receiving print data, press the ON LINE key before pressing the ALTERNATE key.</p> <p>If no print data is in the print buffer, press the ALTERNATE key, the printer will go offline.</p> <p>The display then shows ALTERNATE to indicate that the Alternate Function of the keys is enabled (ALTERNATE indicator lit).</p> <p>May be used to abort paper parking procedure. See also "How to Handle the Paper Parking", later in this manual.</p> <p>When the printer is in Program Setup Mode, this key is disabled.</p>
	Alternate Function	Disables the alternative key functions
	Special Function	Pressing this key together the FONT key at power on resets the Printer Statistic.

TEAR/PITCH Key

TEAR	Normal Function	<ul style="list-style-type: none"> Moves the paper to the tear-off position (TEAR NORMAL function must be selected in the Program Setup). Pressing this key with ONLINE and MACRO, lock or unlock the access to the printer setups. See later "How to Lock/Unlock the Printer Setups" section.
PITCH	Alternate Function	Selects the pitch to be used with the currently selected font. The selected pitch is valid until the printer is turned off.

PATH/PARK Key

PATH	Normal Function	Selects one of the paper paths in offline status. The parameters of the displayed path are set after 2 seconds without pressing any key.
PARK	Alternate Function	Parks the paper in the currently selected paper path.

Attention Light

On top of the metal cover is a light visible by operator from a distant position. The purpose of this light is to indicate the most important printer status and call the operator's attention. The printer status coded by the attention light are:

Light is ON	The printer is online
Light is OFF	The printer is offline
Light is blinking	The printer has a fault condition (paper jam, print integrity, etc.) The buzzer sounds together with light blinking.

Printer Setups

The main printer setup parameters can be selected via the operator panel. The setup parameters are divided into two printer setups, the **Power-On Configuration**, that allows a complete configuration at installation time according to the hardware and the emulation types, and the **Program Setup**, that allows you to set the functions that are the most useful in your daily job. These settings can be selected when the printer is online without printing or offline (ON LINE indicator unlit) and stored in the NVM.

Entering the Printer Setups

- Press the PROGRAM key and keep it pressed at the printer power on until the RELEASE KEYS message is displayed to select the Power-On Configuration.
- Press the PROGRAM key when the printer is online without printing or offline (ON LINE indicator unlit) to select the Program Setup.

Moving within the Printer Setups

The arrow keys ↑, ↓, ←, → are used to move within the different functions inside the Printer Setups. See the following description of the setup items.

Leaving the Printer Setups

- Pressing the PROGRAM key in the **Power-On Configuration** the printer exits from the setup and the new settings will be automatically saved.
- Pressing the PROGRAM key in the **Program Setup**, the following choice is offered for the storage of the values set:

STORE?	QUIT	The new settings are not activated and the old settings remain valid.
STORE?	SAVE	The new settings are stored permanently in the NVM (Non Volatile Memory).
STORE?	CURRENT	The new settings remain valid until the printer is turned off.

Press the → or ← keys to scan these selections forward and backwards. When the desired setting is displayed, press the PROGRAM key to exit from the Setup.

Printer Setup Item

When the **Program Setup** is run, these are the available ITEM .:

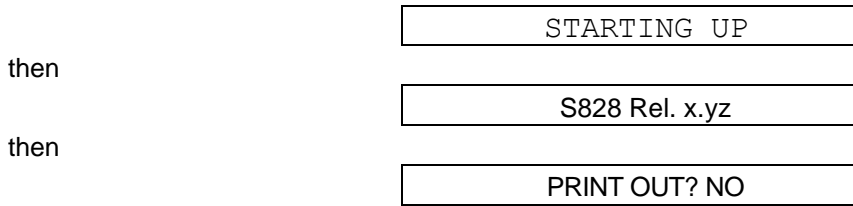
then	<input data-bbox="472 1630 834 1671" type="text" value="PRINT OUT?"/>	Print Program Setup
then	<input data-bbox="472 1711 834 1751" type="text" value="PRINT STATS? NO"/>	Print Statistics
then	<input data-bbox="472 1792 834 1832" type="text" value="USER MACRO"/>	Enter in the Macro Setup
then	<input data-bbox="472 1872 834 1912" type="text" value="CONFIG MENU NO"/>	Enter in the Power-on Configuration
then	<input data-bbox="472 1953 834 1993" type="text" value="HEX DUMP NO"/>	Enter in Hex Dump mode
then	<input data-bbox="472 2033 834 2074" type="text" value="STORE? QUIT"/>	Leaving Setup

Power-On Configuration Setup

The default values of the various functions are indicated in bold.

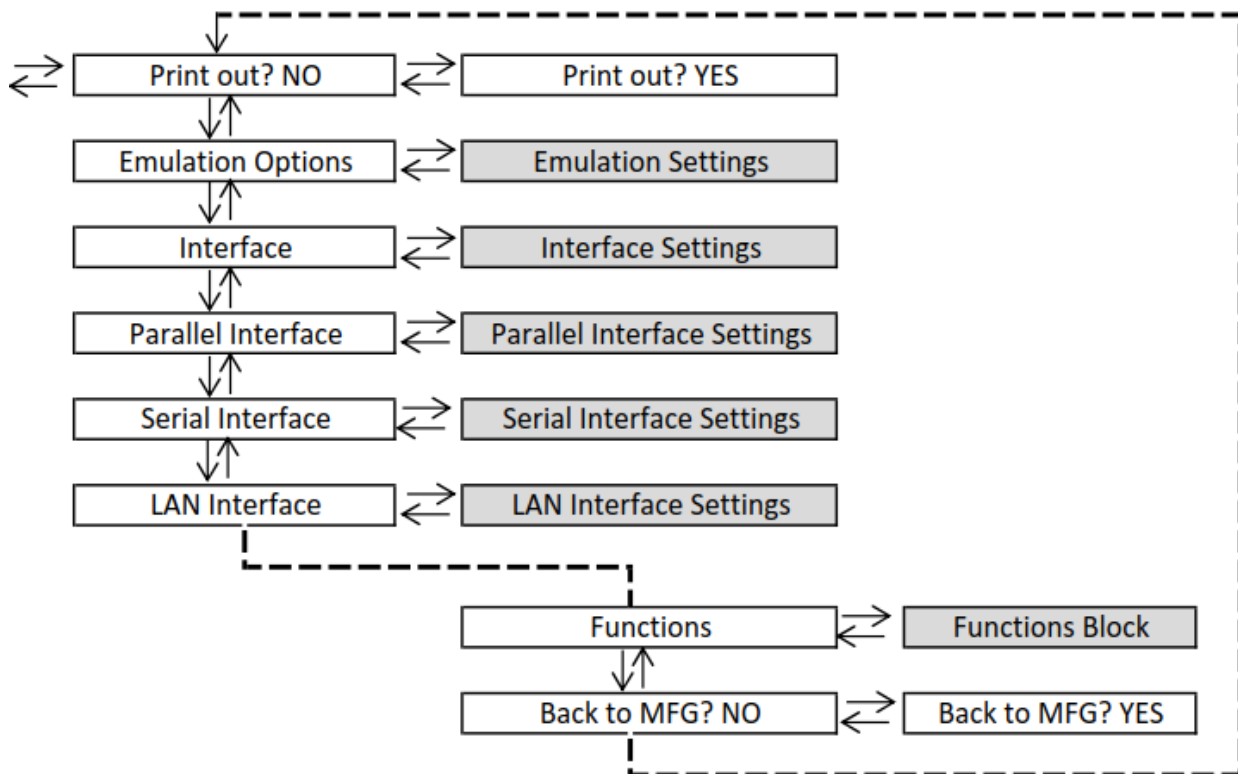
Entering the Power-On Configuration Setup

1. Make sure that the printer is turned off.
2. Press and hold the PROGRAM key pressed while powering on the printer until the RELEASE KEYS message is displayed. As soon as the PROGRAM key gets released, the following message will be displayed:

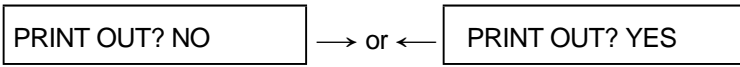


Main Structure

This figure shows the structure of the Power-On Configuration and how to move inside the Setup.



Printout of the Configuration Printer Settings



EMUL. OPTIONS

PRINT OUT? NO
PRINT OUT? YES

The Setup is not printed.

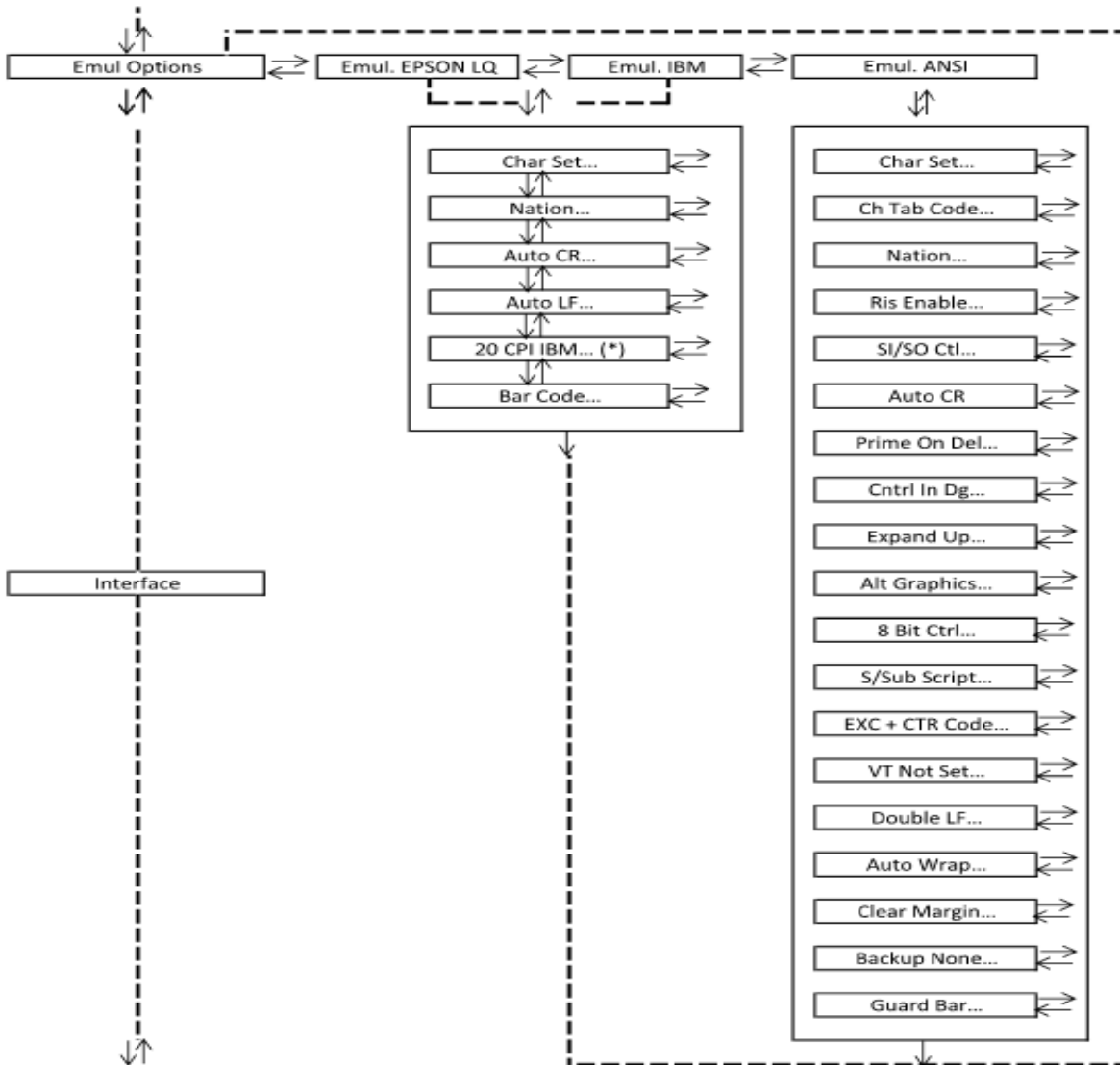
The printer setup is printed showing the currently selected values.

The printout starts as soon as you select this value.

-CONFIGURATION SETUP PRINTOUT:		
PRINTER MODEL:	S828	
FIRMWARE CODE:	ver. 1.00 FMW00476	
SERIAL NUMBER:	00000000	
MAC ADDRESS:	00066D211159	
EMUL. OPIONS	EMUL.	EPSON
	CHAR. SET	CS2
	NATION	CP437
	AUTO CR	YES
	AUTO LF	NO
	BAR CODE	NAT.
INTERFACE	I/F TYPE	AUTO
PARALL INTERFACE	1284 BIDIR.	AUTO
	SELECT-IN	HOST
	DATA BITS	8
	INP. BUFFER	2K
SERIAL INTERFACE	SERIAL I/F	232
	BAUD	9600
	DATA BITS	8
	PARITY	NONE
	HANDSHAKE	DTR
	CONNECTION	LOCAL
	INP. BUFFER	2K
LAN INTERFACE	IP ASSIGN	DHCP
	INIT IP ADDRESS	000.000.000.000
	INIT NET MASK	000.000.000.000
	DEF. GATEWAY ID	000.000.000.000
	INIT HOST NAME	PTX_211159
	INIT WORKGROUP	workgroup
	SMTP ENABL.	YES
	MAIL SERV. ADDRES	000.000.000.000
	EMAIL ADDRESS	
	SENDER ADDRESS	
	LPR ENABL.	YES
	FTP ENABL.	YES
	TELNET ENABL.	YES
	DIRIP ENABL.	YES
	HTTP ENABL.	YES
	SNNMPD ENABL.	YES
	SMBD ENABL.	YES
FUNCTIONS	BUZZER	YES
	TEXT DIRECT	BI
	GRAPH DIRECT	BI
	BARCODES DIR.	UNI
	P.ON PATH	MACRO
	MENU	ENGLISH
	F1 JAM SENS.	YES
	TEAR ADJUST	0

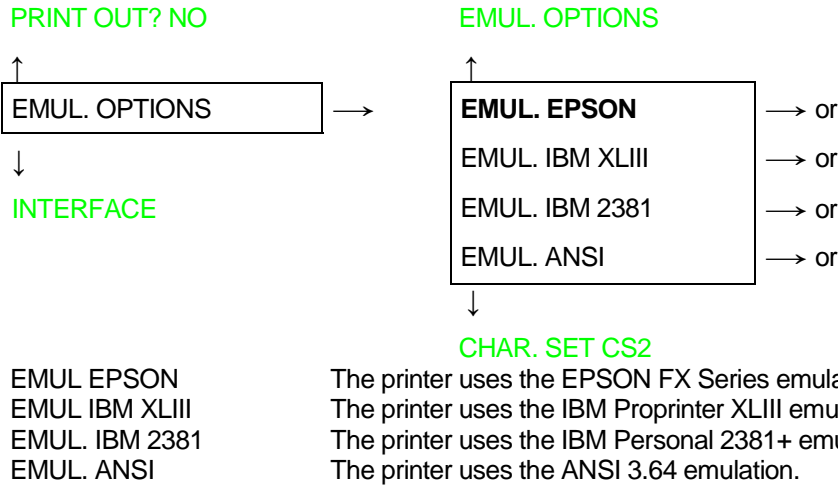
Emulation Options

This setup defines the available options according to the selected emulation and is structured as follows:



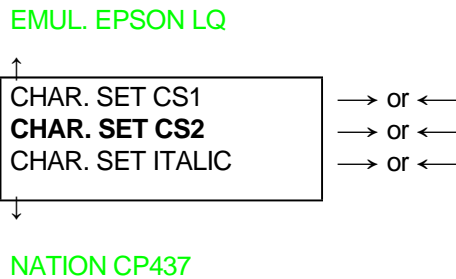
Setting the Emulation Options

Printer Emulation



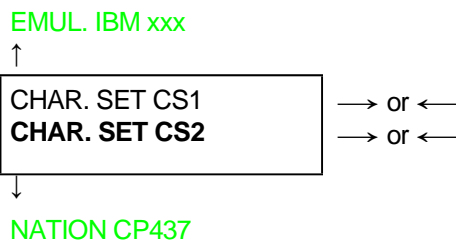
If ANSI emulations has been selected, specific ANSI parameters are available, see later on in this manual.

EPSON Character Sets



These items select the character set to be used in EPSON emulation.

IBM Character sets



These items select the character set to be used in IBM Proprinter emulation.

EPSON National Character sets

CHAR. SET CS2

↑

NATION CP437	→ or ←
NATION ...	→ or ←
NATION LATIN A1	→ or ←

↓

AUTO CR YES

The following national character sets are available:

CP 437	CP437 G	96GREEK	CP850	CP851	CP 852	CP 853	CP 855
CP 857	CP 858	CP 860	CP 862	CP 863	CP 864	CP 865	CP 866
CP 867	CP 876	CP 877	CP 1250	CP 1251	CP 1252	CP 1253	CP 1254
CP 1255	CP 1256	CP 1257	GOST	TASS	MAZOWIA	ISO 8859/1	ISO 8859/2
8859/3	ISO 8859/4	ISO 8859/5	ISO 8859/6	ISO 8859/7	ISO 8859/8	ISO 8859/9	ISO 8859/15
CP 437SL	CP 1098	UKRAIN	KOI8-U	FARSI1	FARSI2	USA	FRANCE
GERMANY	ENGLAND	DENMARK1	SWEDEN	ITALY	SPAIN1	JAPAN	NORWAY
DENMARK2	SPAIN2	LATIN A1					

The CP 858 and ISO 8859/15 character sets contain the Euro character

IBM National Character Sets

CHAR. SET CS2

↑

NATION CP437	→ or ←
NATION ...	→ or ←
NATION FARSI2	→ or ←

↓

AUTO CR NO

The following national character sets can be selected:

CP 437	CP437 G	96GREEK	CP850	CP851	CP 852	CP 853	CP 855
CP 857	CP 858	CP 860	CP 862	CP 863	CP 864	CP 865	CP 866
CP 867	CP 876	CP 877	CP 1250	CP 1251	CP 1252	CP 1253	CP 1254
CP 1255	CP 1256	CP 1257	GOST	TASS	MAZOWIA	ISO 8859/1	ISO 8859/2
ISO 8859/3	ISO 8859/4	ISO 8859/5	ISO 8859/6	ISO 8859/7	ISO 8859/8	ISO 8859/9	ISO 8859/15
CP 437SL	CP 1098	UKRAIN	KOI8-U	FARSI1	FARSI2		

The CP 858 and ISO 8859/15 character sets contain the Euro character

CR Code Behavior

NATION xxx

↑

AUTO CR NO	→ or ←
AUTO CR YES	→ or ←

↓

AUTO LF NO

AUTO CR NO No automatic carriage return is performed after a LF, VT or ESCJ code. Default value in IBM emulation.

AUTO CR YES The printer performs an automatic carriage return after a LF, VT or ESCJ code. Default value in EPSON emulation.

LF Code Behavior

AUTO CR xx

↑

AUTO LF NO	→ or ←
AUTO LF YES	→ or ←
AUTO LF HOST	→ or ←

↓

20 CPI IBM NO

or

BAR CODE NATIV

AUTO LF NO No Automatic LF after CR.

AUTO LF YES Automatic LF after CR.

AUTO LF HOST Only in EPSON emulation. The printer checks the AUTOFEEDXT signal coming from the host and executes an automatic LF after CR, if the signal is low.

IBM Compressed Printing

These items are displayed only if the IBM emulation is selected.

AUTO LF NO

↑

20 CPI IBM NO	→ or ←
20 CPI IBM YES	→ or ←

↓

BAR CODE NATIV

20 CPI IBM NO The compressed printing is performed at 17.1 cpi.

20 CPI IBM YES The compressed printing is performed at 20 cpi.

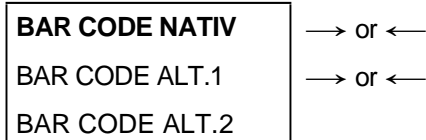
Bar code mode

20 CPI IBM NO

or

AUTOLF NO

↑



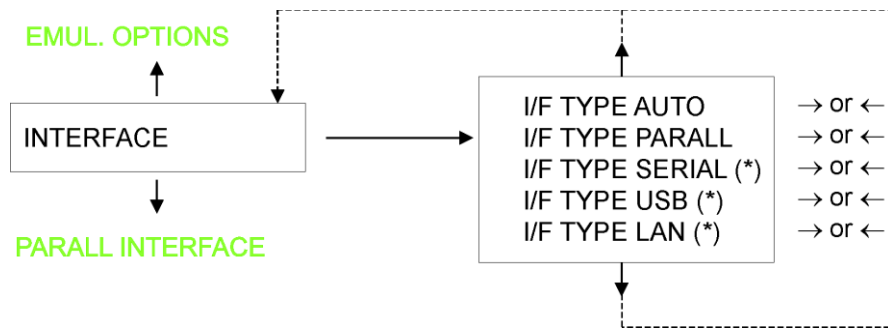
↓

EMUL. OPTIONS

BAR CODE NATIV
 BAR CODE ALT.1
 BAR CODE ALT.2

Enables bar code printing using the native commands (DC4, DC4, ...).
 Enables bar code printing using ANSI commands even if the emulation in use is EPSON or IBM.
 Enables bar code printing using xxxx commands even if the emulation in use is EPSON or IBM.

Interface



Interface Type Settings

The Controller Board can be equipped with the optional IPDS feature to connect to the host system. The possible interfaces are:

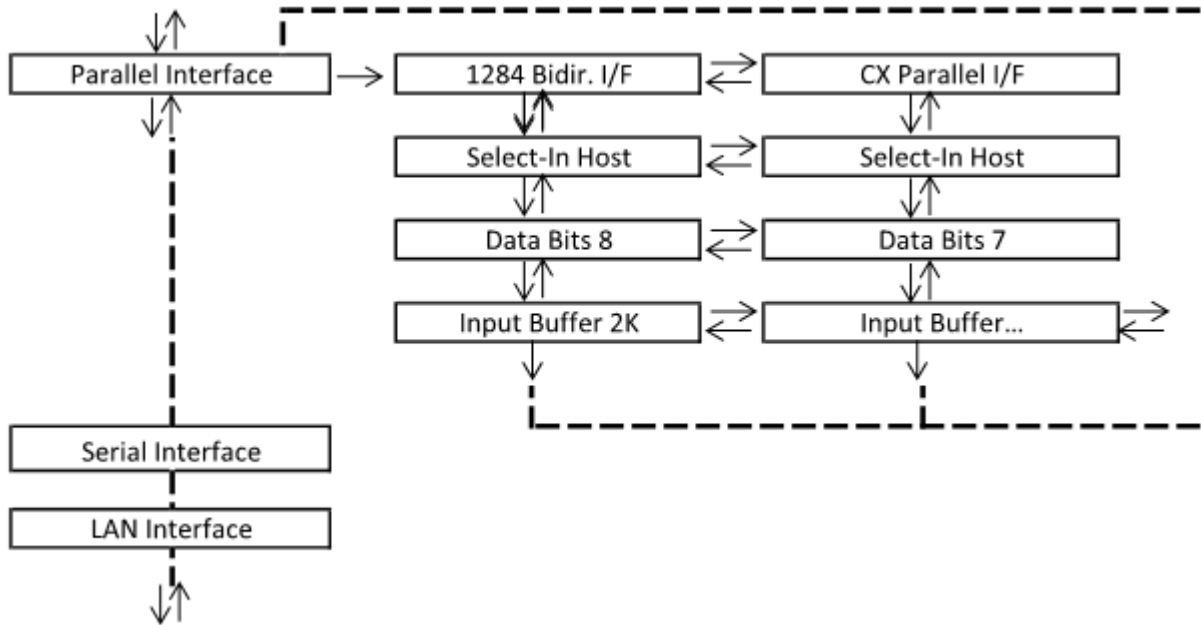
	S828	S828 IPDS
• Parallel Centronics	YES	YES
• Serial 232C	YES	YES
• USB	YES	YES
• Ethernet LAN 10/100	YES	NO
• Ethernet LAN 10/100 IPDS	NO	YES

The following paragraphs describe how to configure the parameters of the interfaces.

AUTO	All the interfaces installed onto the interface board (controller) are active and the hot port feature is operative.
PARALLEL	Only the Centronics Parallel Interface is active. Hot Port is not operative.
SERIAL	Only the Serial RS232 Interface is active. Hot Port is not operative.
USB	Only the USB Interface is active. Hot Port is not operative.
LAN-A	Only the Ethernet LAN ASCII Interface is active. Hot Port is not operative.
LAN-I	Only the Ethernet LAN IPDS Interface is active. Hot Port is not operative.

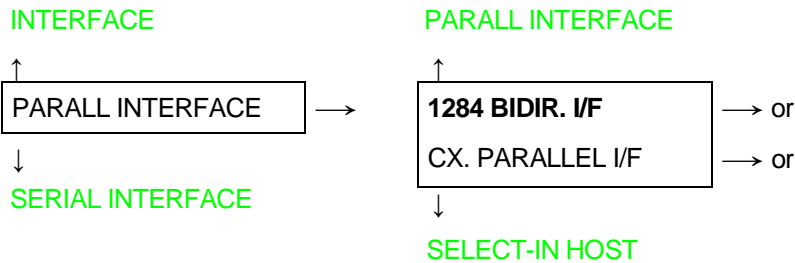
Parallel Interface

This setup defines the use of the parallel interface and is structured according to the interface specific parameters.



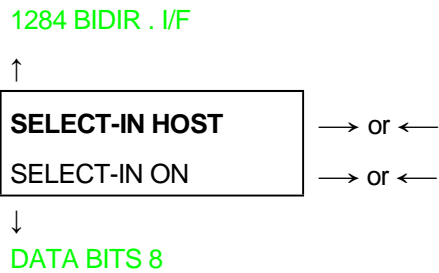
Setting the Parallel Interface Parameters

Interface Type



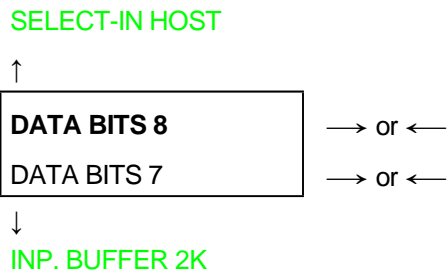
1284 BIDIR. I/F Bidirectional IEEE 1284 parallel interface.
 CX. PARALLEL I/F Centronics type parallel interface (mono-directional).

Setting the Select-In Signal



SELECT-IN HOST The printer checks the SELECT-IN signal coming from the host.
 SELECT-IN ON The SELECT-IN signal of the parallel interface is ignored and treated always as ON.

Number of Data Bits



Selection of the number of data bits: 7 or 8.

Input Buffer Size

DATA BITS 8

↑

INP. BUFFER 256

→ or ←

INP. BUFFER 2K

→ or ← INP.

BUFFER 12K

→ or ← INP.

BUFFER 32K

→ or ← INP.

BUFFER 64K

→ or ← INP.

BUFFER 128K

→ or ←

↓

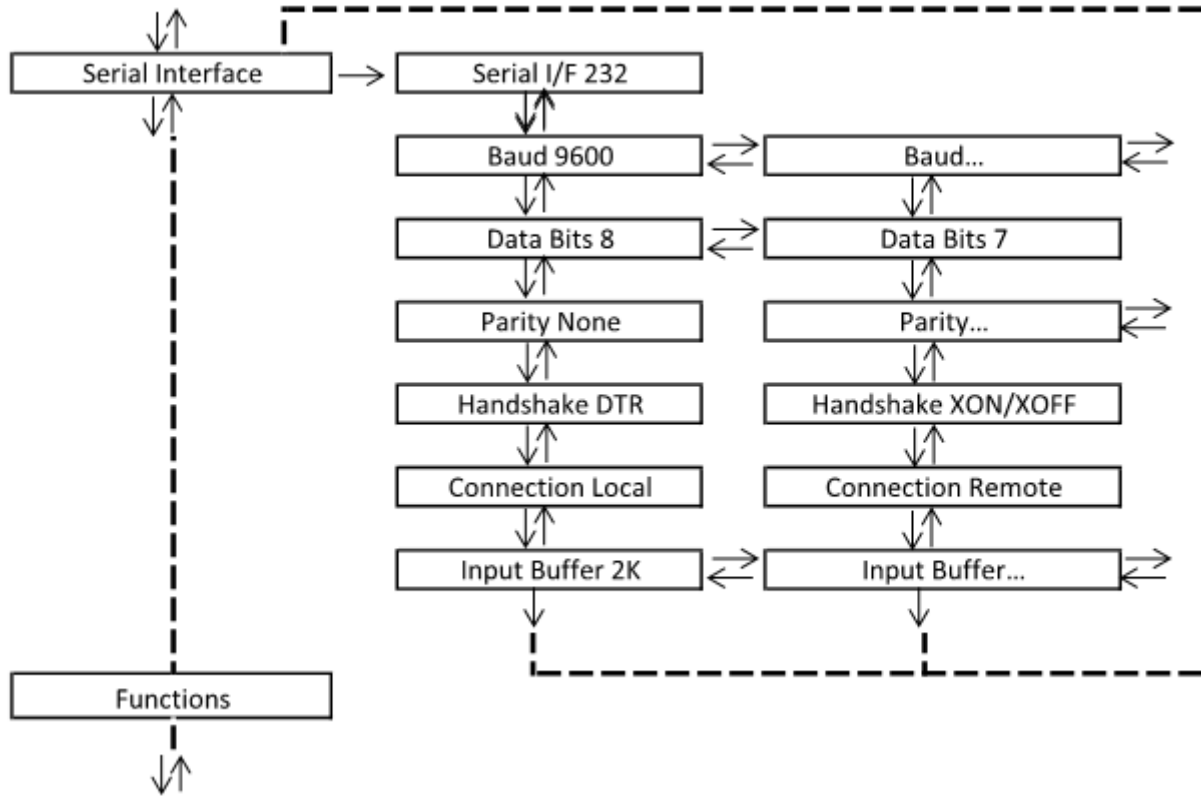
PARALL. INTERFACE

Selects the input buffer size.

Serial Interface

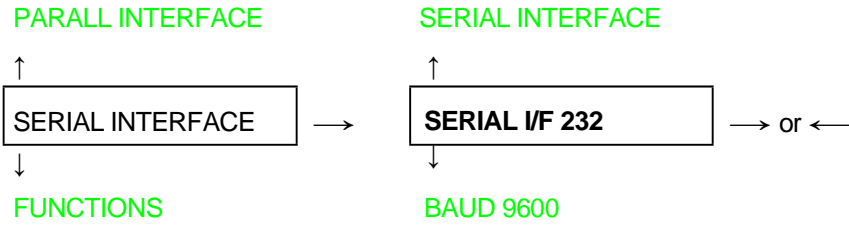
The following Serial Interface Parameters will display only if the Serial Interface is present

This setup defines the use of the serial interface and is structured according to the interface specific parameters.



Setting the Serial Interface Parameters

Interface Type

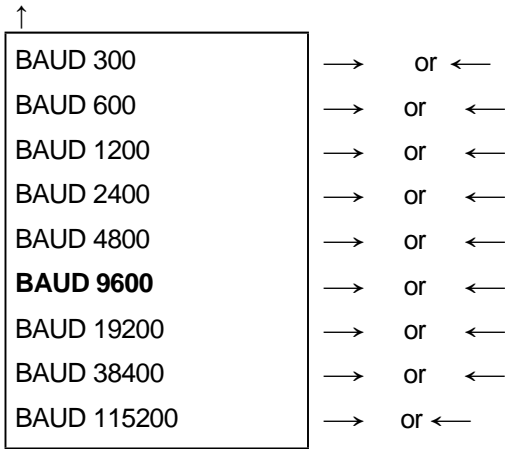


SERIAL I/F 232

It is available the serial interface RS-232/C only.

Baud Rate

SERIAL I/F 232

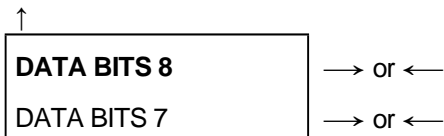


↓
DATA BITS 8

The baud rate is selected in bits per second. The above values can be selected.

Number of Data Bits

BAUD 9600

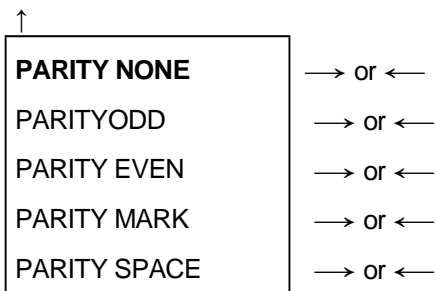


↓
PARITY NONE

Selection of the number of data bits: 7 or 8.

Parity Check

DATA BITS 8



↓
HANDSHAKE DTR

- PARITY NONE Data does not have a parity bit, i.e. 8 bit data are transferred and the parity check is disabled.
- PARITY ODD Parity check is enabled for odd parity.
- PARITY EVEN Parity check is enabled for even parity.
- PARITY MARK Parity check is disabled and the transmitted parity bit is always a Mark.
- PARITY SPACE Parity check is disabled and the transmitted parity bit is always a Space.

Handshake Protocol

↑
PARITY NONE

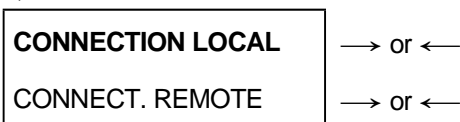


↓
CONNECTION LOCAL

HANDSHAKE DTR The Handshake is performed using the DTR Protocol. HANDSHAKE XONXOF
 HANDSHAKE XONXOFF The Handshake is performed using the XON-XOFF Protocol.

Connection Type

↑
HANDSHAKE DTR

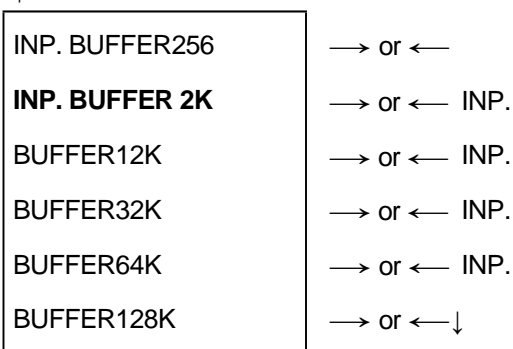


↓
INP. BUFFER 2K

Selects the connection type: local or remote.

Input Buffer Size

↑
CONNECTION LOCAL



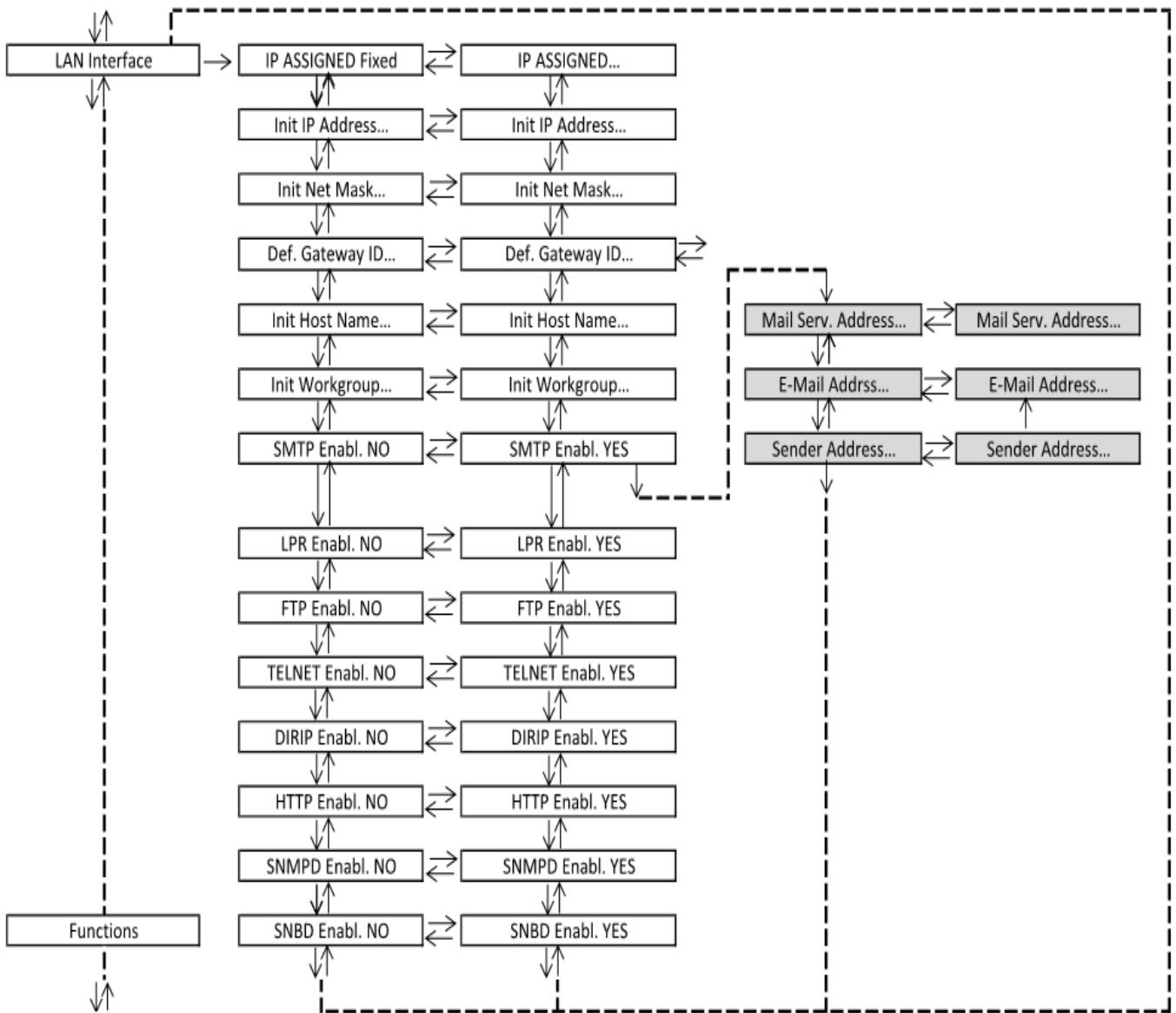
↓
SERIAL INTERFACE

Selects the input buffer size.

LAN Interface

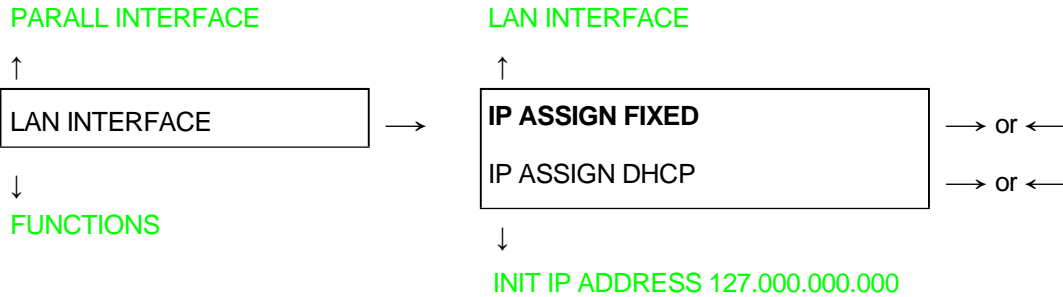
The following LAN interface parameters will display only if the Ethernet 10/100 Mbit interface is present

This setup defines the use of the LAN interface and is structured according to the interface specific parameters.



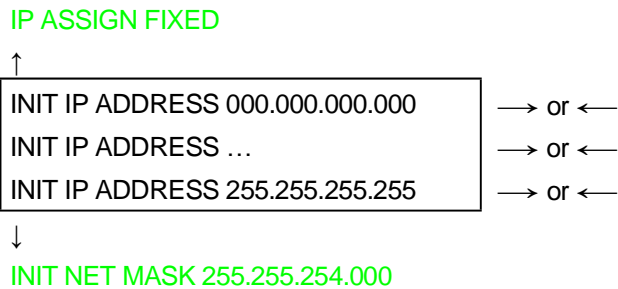
Setting the LAN Interface Parameters

IP Assignment



IP ASSIGN FIXED Assigns the static or fixed IP address.
 IP ASSIGN DHCP Assigns the dynamic IP address (DHCP protocol).

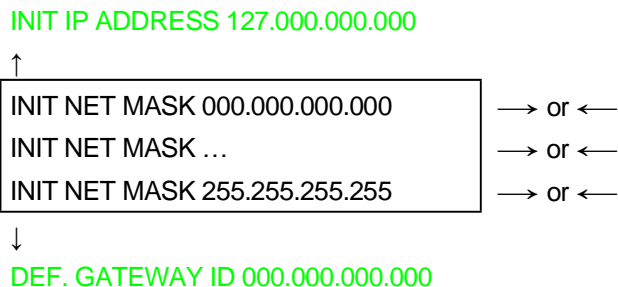
Init IP Address



These values set the INIT IP address. The IP address is represented by a decimal notation where the decimal values are divided by points in four fields. Each field ranges between 0 and 255. Use the ← or → keys to increase or decrease the values in one field and the ↓ or ↑ keys to move to the next field (↓ to move to the right and ↑ to move to the left).

The default value is 127.000.000.000.

Init Net Mask



These values set the INIT net mask number. This number is represented by a decimal notation where the decimal values are divided by points in four fields. Each field ranges between 0 and 255. Use the ← or → keys to increase or decrease the values in one field and the ↓ or ↑ keys to move to the next field (↓ to move to the right and ↑ to move to the left). The default value is 255.255.254.000.

ID Default Gateway

INIT NET MASK 255.255.254.000

↑

DEF. GATEWAY ID 000.000.000.000	→ or ←
DEF. GATEWAY ID ...	→ or ←
DEF. GATEWAY ID 255.255.255.255	→ or ←

↓

INIT HOST NAME CMP_XXXXXX

These values set the ID default gateway number. This number is represented by a decimal notation where the decimal values are divided by points in four fields. Each field ranges between 0 and 255. Use the ← or → keys to increase or decrease the values in one field and the ↓ or ↑ keys to move to the next field (↓ to move to the right and ↑ to move to the left).

Init Host Name

DEF. GATEWAY ID 000.000.000.000

↑

INIT HOST NAME	→ or ←
----------------------	--------

PROGRAM key

↓

INIT WORKGROUP CMP_GROUP

The host is identified by a name. This function allows to create the name of the init host using a 14-character string. Use the ← or → keys to increase or decrease the values in one field and the ↓ or ↑ keys to move to the next field (↓ to move to the right and ↑ to move to the left). Press the PROGRAM key to save the selected init host name. The default name is CMP_XXXXXX.

Init Workgroup Name

INIT HOST NAME CMP_XXXXXX

↑

INIT WORKGROUP	→ or ←
----------------------	--------

PROGRAM key

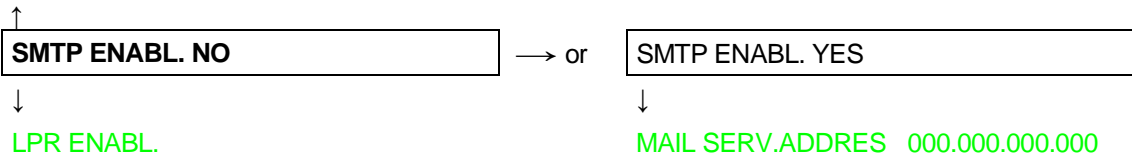
↓

SMTP ENABL. NO

The workgroup is identified by a name. This function allows to create the name of the workgroup using a 14-character string. Use the ← or → keys to increase or decrease the values in one field and the ↓ or ↑ keys to move to the next field (↓ to move to the right and ↑ to move to the left). Press the PROGRAM key to save the selected init workgroup name. The default name is workgroup.

Enable/Disable the SMTP Service

INIT WORKGROUP workgroup

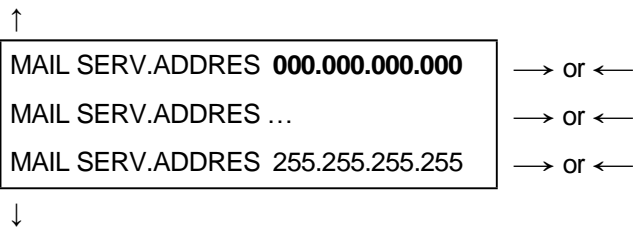


- SMTP ENABL. NO Disables the SMTP (Simple Mail Transfer Protocol) service, that is disables the reception/transfer/error service of the e-mail.
- SMTP ENABL. YES Enables the SMTP (Simple Mail Transfer Protocol) service, that is enables the reception/transfer/error service of the e-mail.

Mail Server Address

This item is displayed only if the SMTP ENABL. function is selected in YES

SMTP ENABL. YES



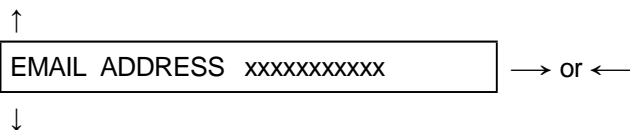
EMAIL ADDRESS xxxxxxxxxxxx

These values set the mail server address. This number is represented by a decimal notation where the decimal values are divided by points in four fields. Each field ranges between 0 and 255. Use the ← or → keys to increase or decrease the values in one field and the ↓ or ↑ keys to move to the next field (↓ to move to the right and ↑ to move to the left).

E-mail Address

This item is displayed only if the SMTP ENABL. function is selected YES

MAIL SERV.ADDRES



SENDER ADDRESS xxxxxxxxxxxx

This function allows to write the e-mail address where you can notify the failures. Use the ← or → keys to increase or decrease the values in one field and the ↓ or ↑ keys to move to the next field (↓ to move to the right and ↑ to move to the left). Press the PROGRAM key to save the e-mail address.

Sender Address

This item is displayed only if the SMTP ENABL. function is selected YES

EMAIL ADDRESS xxxxxxxxxxxx

↑

SENDER ADDRESS xxxxxxxxxxxx → or ←

↓

LPR ENABL.

This function identifies the address of the sender's e-mail using a string of characters. Use the ← or → keys to increase or decrease the values in one field and the ↓ or ↑ keys to move to the next field (↓ to move to the right and ↑ to move to the left). Press the PROGRAM key to save the sender's e-mail address.

Enable/Disable the LPR Service

SENDER ADDRESS xxxxxxxxxxxx or SMTP ENABL. NO

↑

LPR ENABL. YES → or LPR ENABL. NO

↓

FTP ENABL.

LPR ENABL. YES Enables the LPR (Line Printer Remote Protocol) service.
LPR ENABL. NO Disables the LPR (Line Printer Remote Protocol) service

Enable/Disable the FTP Service

LPR ENABL

↑

FTP ENABL. YES → or FTP ENABL. NO

↓

TELNET ENABL..

FTP ENABL. YES Enables the FTP (File Transfer Protocol) service.
FTP ENABL. NO Disables the FTP (File Transfer Protocol) service

Enable/Disable the TELNET Service

FTP ENABL

↑

TELNET ENABL. YES → or TELNET ENABL. NO

↓

DIRIP ENABL..

TELNET ENABL. YES Enables the TELNET service.
TELNET ENABL. NO Disables the TELNET service

Enable/Disable the DIRIP Service

TELNET ENABL

↑
 DIRIP ENABL. YES → or → DIRIP ENABL. NO

↓
 HTTP ENABL..

DIRIP ENABL. YES Enables the DIRIP service.
 DIRIP ENABL. NO Disables the DIRIP service

Enable/Disable the HTTP Service

DIRIP ENABL

↑
 HTTP ENABL. YES → or → HTTP ENABL. NO

↓
 TELNET ENABL..

HTTP ENABL. YES Enables the HTTP (HyperText Transfer Protocol) service.
 HTTP ENABL. NO Disables the HTTP (HyperText Transfer Protocol) service

Enable/Disable the SNMPD Service

HTTP ENABL

↑
 SNMPD ENABL. YES → or → SNMPD ENABL. NO

↓
 SMBD ENABL..

SNMPD ENABL. YES Enables the SNMPD service.
 SNMPD ENABL. NO Disables the SNMPD service

Enable/Disable the SMBD Service

SNMPD ENABL

↑
 SMBD ENABL. YES → or → SMBD ENABL. NO

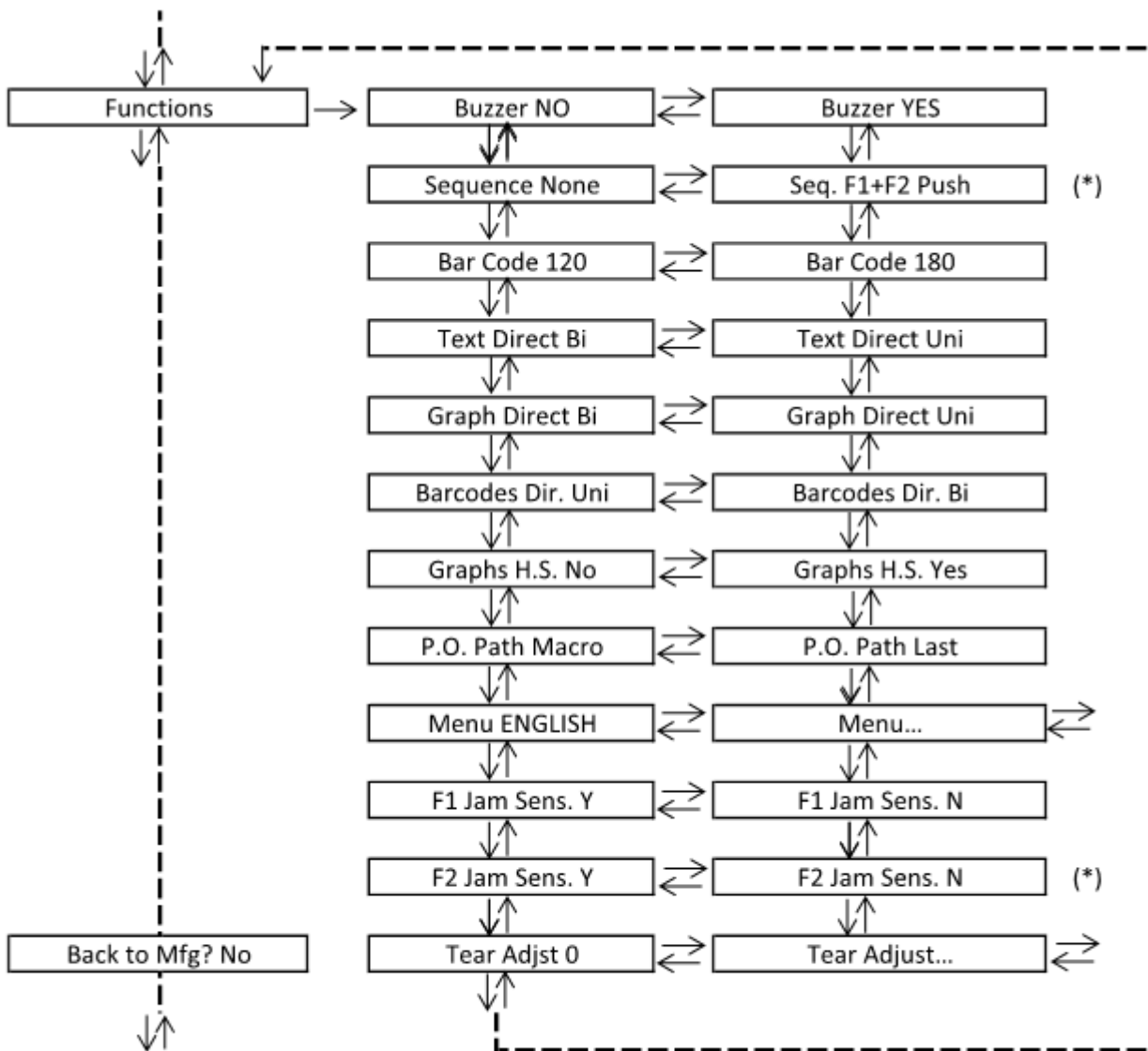
↓
 FUNCTION..

SMBD ENABL. YES Enables the SMBD service.
 SMBD ENABL. NO Disables the SMBD service

Functions

The Functions item groups the following printer functions:

- Buzzer setting,
- Paper loading sequence,
- Bar code density,
- Text printing direction,
- Graphics printing direction,
- Bar code printing direction,
- Graphics printing speed,
- Paper path at power on,
- Language of the display messages,
- Paper tractor jam sensors (if the 6 pin Front1/Front2 Push tractors are installed),
- Tear-off position adjustment.



(* This item is displayed only if the 6 pin Front2 push tractor option is installed.

Setting the Functions Group Items

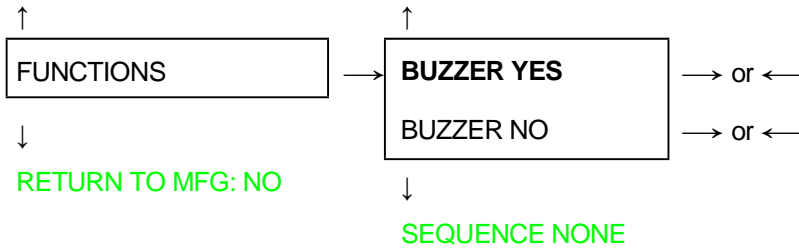
Enable/Disable the Buzzer

SERIAL INTERFACE (*)

or

LAN INTERFACE (**)

FUNCTIONS



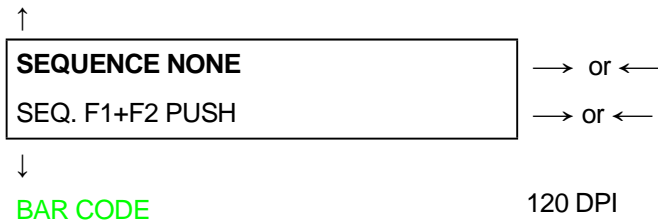
Enable or disables the buzzer.

(*) If Serial Interface is present.

(**) If LAN Interface is present.

Paper Loading Sequence

BUZZER YES



120 DPI

These items are displayed only if the accessories to which they refer are installed

SEQUENCE NONE
SEQ. F1+F2 PUSH

The paper is fed only through the path selected by operator panel.

The paper is fed firstly with the Front1 push tractor and successively through the Front2 push tractor option.

Text Print Direction

BAR CODE 120DPI



TEXT DIRECT BI	→ or ←
TEXT DIRECT UNI	→ or ←



GRAPH DIRECT BI

Selects the print direction for text: bidirectional or unidirectional.

Graphics Print Direction

TEXT DIRECT BI



GRAPH DIRECT BI	→ or ←
GRAPH DIRECT UNI	→ or ←



BARCODES DIR. UNI

Selects the print direction for graphics: bidirectional or unidirectional.

Bar Codes Print Direction

GRAPH DIRECT BI



BARCODES DIR. BI	→ or ←
BARCODES DIR. UNI	→ or ←



GRAPH H.S. YES

Selects the print direction for bar codes: bidirectional or unidirectional.

Paper Path at Power-On

GRAPH H.S. YES

↑

P. ON PATH MACRO	→ or ←
P. ON PATH LAST	→ or ←

↓

MENU ENGLISH

P. ON PATH MACRO The paper path at power-on is the one from the default Macro.

P. ON PATH LAST The paper path at power-on is the last one that was selected before the printer was powered off.

Selection of the Language of the Display Messages

P. ON PATH MACRO

↑

MENU ENGLISH	→ or ←
MENU ITALIANO	→ or ←
MENU FRANCAIS	→ or ←
MENU ESPANOL	→ or ←
MENUE DEUTSCH	→ or ←

↓

F1 JAM SENS. Y (if 6 pin Front1 Push Tractor option is installed)

or

TEAR ADJUST:xxx

These items are self-explaining.

See also “Selecting the Display Language” before in this manual

Enable/Disable Front1 Tractor Jam Sensor

MENU ENGLISH

↑

F1 JAM SENS. Y	→ or ←
F1 JAM SENS. N	→ or ←

↓

F2 JAM SENS. Y (if 6 pin Front2 Push Tractor option is installed)

or

TEAR ADJUST:xxx

F1 JAM SENS. Y Enables the paper jam sensor located in the 6 pin Front1 push tractor option.

F1 JAM SENS. N Disables the paper jam sensor located in the 6 pin Front1 push tractor option.

Enable/Disable Front2 Tractor Jam Sensor

This item is displayed only if the 6 pin Front2 push tractor option is installed

F1 JAM SENS. Y

↑

F2 JAM SENS. Y	→ or ←
F2 JAM SENS. N	→ or ←

↓

TEAR ADJUST: xxx

F2 JAM SENS. Y Enables the paper jam sensor located in the 6 pin Front2 push tractor option.

F2 JAM SENS. N Disables the paper jam sensor located in the 6 pin Front2 push tractor option.

Adjusting the Tear-Off Position

F2 JAM SENS. Y (if 6 pin Front2 Push Tractor is installed)

or

F1 JAM SENS. Y (if 6 pin Front1 Push Tractor is installed)

or

MENU ENGLISH

↑

TEAR ADJUST: +30	→ or ←
TEAR ADJUST: ...	→ or ←
TEAR ADJUST: -390	→ or ←

↓

FUNCTIONS

TEAR ADJUST: xxx These values adjust the distance between the Tear-Off Perforation and the Tear-Off Bar. The values correspond to 1/180 inch units, i.e. the tuning ranges between +1/6 and -13/6 inch. 0 is the default value.

See also “How to Use the Tear-Off Function”, later in this Chapter

Resetting to Factory Default Values

With the BACK TO MFG function it is possible to reset all items in the *Power On Configuration Setup* and in the *Program Setup* to their factory default values. This may be useful if you do not remember the values you set in the setups, or because you simply changed your mind about the settings you have just done. The default values for the setup items are indicated in bold.

FUNCTIONS

↑

BACK TO MFG: NO

→ or ←

BACK TO MFG: YES

↓ or PROG

PRINT OUT ?

If you want to select BACK TO MFG: YES, you have to exit from this item using the ↑ or the ↓ key, in order to confirm the selection of this value.

At this point, the **Power On Configuration Setup** procedure is finished. If you exit pressing the ↓ and the PROGRAM key, the new settings will be saved.

Do not power off the printer before all data have been written into the NVM and the printer has returned online.

Program Setup

The default values of the various functions are indicated in bold.

Entering the Program Setup

Press the PROGRAM key when the printer is turned on and is offline or online without printing. The following message will be displayed:

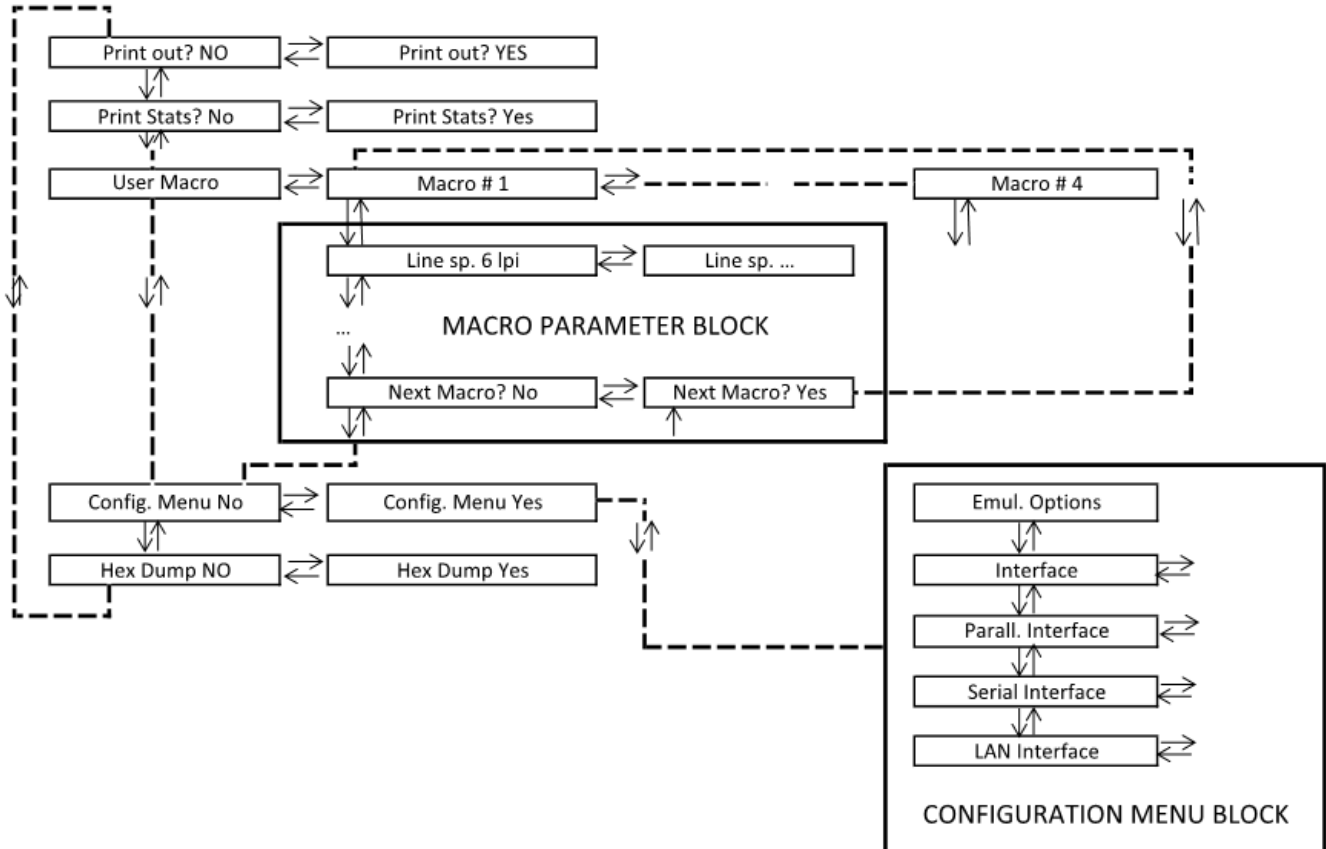
PRINT OUT? NO

The figure in the following page shows the structure and how to move inside the Program Setup.

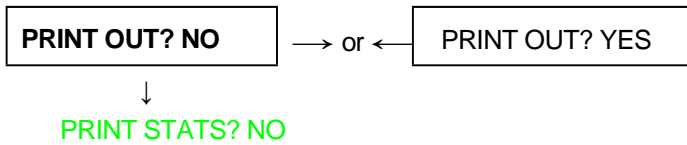
Main Structure

The items define the following functions:

- Print Program Setup with #4 (or #8 depending by the model and FW)
- Handling of the #4 or #8 user Macros
- Print Statistics of the printer
- The direct access to the Power-On Configuration
- Hexadecimal printout



Printout of the Printer Settings



PRINT OUT? NO The setup is not printed.
PRINT OUT? YES The printer setup is printed. The printout starts as soon as you select this value.

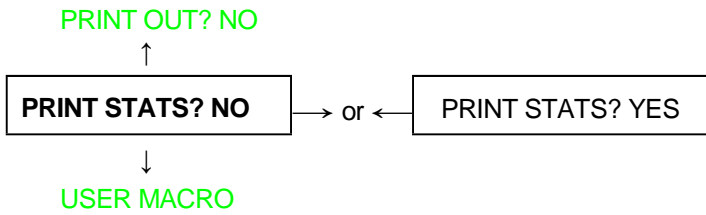
NOTE: The Program setup printout indicates:

- The printer model
- The current firmware release with Version and FW Identifier
- The serial number which can be applied as USB ID
- The MAC ADDRESS of the LAN card
- The currently selected values of the #4 or #8 Marcos (the current selected macro is marked with the ## symbols (USER MACRO ##))
- The IPDS items are printed at the bottom of each Macro only if the IPDS option is installed.

((*) If IPDS option is installed, the printout shows at the bottom of each Macro the IPSD item.

-PROGRAM SETUP PRINTOUT:							
PRINTER MODEL:	S828						
FIRMWARE CODE:	ver. 1.00 FMW00476						
SERIAL NUMBER:	00000000						
MAC ADDRESS:	00066D211159						
USER MACRO#1#	USER MACRO#1#	USER MACRO#1#	USER MACRO#1#	USER MACRO#1#	USER MACRO#1#	USER MACRO#1#	USER MACRO#1#
LINE SP.	6 LPI	LINE SP.	6 LPI	LINE SP.	6 LPI	LINE SP.	6 LPI
LINE SP. LOCK	NO	LINE SP. LOCK	NO	LINE SP. LOCK	NO	LINE SP. LOCK	NO
LENGTH	66 LINES	LENGTH	66 LINES	LENGTH	66 LINES	LENGTH	66 LINES
TOP OF FORM	0	TOP OF FORM	0	TOP OF FORM	0	TOP OF FORM	0
IGNORE F.F.	NO	IGNORE F.F.	NO	IGNORE F.F.	NO	IGNORE F.F.	NO
SKIPOVER	0	SKIPOVER	0	SKIPOVER	0	SKIPOVER	0
DRAFT MODE	NORM	DRAFT MODE	NORM	DRAFT MODE	NORM	DRAFT MODE	NORM
FONT LOCK	NO	FONT LOCK	NO	FONT LOCK	NO	FONT LOCK	NO
QUALITY	LQ	QUALITY	LQ	QUALITY	LQ	QUALITY	LQ
FONT	DRAFT	FONT	DRAFT	FONT	DRAFT	FONT	DRAFT
PITCH	10 CPI	PITCH	10 CPI	PITCH	10 CPI	PITCH	10 CPI
15&24CPI	NORMAL	15&24CPI	NORMAL	15&24CPI	NORMAL	15&24CPI	NORMAL
PITCH LOCK	NO	PITCH LOCK	NO	PITCH LOCK	NO	PITCH LOCK	NO
LEFT MARGIN	0	LEFT MARGIN	0	LEFT MARGIN	0	LEFT MARGIN	0
RIGHT MARGIN	136	RIGHT MARGIN	136	RIGHT MARGIN	136	RIGHT MARGIN	136
SLASH ZERO	NO	SLASH ZERO	NO	SLASH ZERO	NO	SLASH ZERO	NO
PATH	FRONT 1	PATH	FRONT 1	PATH	FRONT 1	PATH	FRONT 1
TEAR	NORMAL	TEAR	NORMAL	TEAR	NORMAL	TEAR	NORMAL
TEAR DELAY	1	TEAR DELAY	1	TEAR DELAY	1	TEAR DELAY	1
STRONG	IMPACT	STRONG	IMPACT	STRONG	IMPACT	STRONG	IMPACT
PERFOR. SAFE	NO	PERFOR. SAFE	NO	PERFOR. SAFE	NO	PERFOR. SAFE	NO
QUIET PRINT	OFF	QUIET PRINT	OFF	QUIET PRINT	OFF	QUIET PRINT	OFF
AUTOGAP	0	AUTOGAP	0	AUTOGAP	0	AUTOGAP	0
TUNING:HORIZ	0	TUNING:HORIZ	0	TUNING:HORIZ	0	TUNING:HORIZ	0
TUNING:VERT	0	TUNING:VERT	0	TUNING:VERT	0	TUNING:VERT	0
SPACES COMP.	NO	SPACES COMP.	NO	SPACES COMP.	NO	SPACES COMP.	NO
I-PITCH	10 CPI	I-PITCH	10 CPI	I-PITCH	10 CPI	I-PITCH	10 CPI (*)
I-LINE SP.	6 LPI	I-LINE SP.	6 LPI	I-LINE SP.	6 LPI	I-LINE SP.	6 LPI (*)
I-RIGHT MARG	132	I-RIGHT MARG	132	I-RIGHT MARG	132	I-RIGHT MARG	132 (*)
I-FLEN	66 LINES	I-FLEN	66 LINES	I-FLEN	66 LINES	I-FLEN	66 LINES (*)
I-FONT	FAST	I-FONT	FAST	I-FONT	FAST	I-FONT	FAST (*)
I-HOST FAST	YES	I-HOST FAST	YES	I-HOST FAST	YES	I-HOST FAST	YES (*)
I-NATION	CP500	I-NATION	CP500	I-NATION	CP500	I-NATION	CP500 (*)
I-EMUL.MODE	4247	I-EMUL.MODE	4247	I-EMUL.MODE	4247	I-EMUL.MODE	4247 (*)
I-MSIZE PRIO	ALT	I-MSIZE PRIO	ALT	I-MSIZE PRIO	ALT	I-MSIZE PRIO	ALT (*)
I-BC MODE	HIGH	I-BC MODE	HIGH	I-BC MODE	HIGH	I-BC MODE	HIGH (*)
I-GRA MODE	HIGH	I-GRA MODE	HIGH	I-GRA MODE	HIGH	I-GRA MODE	HIGH (*)

Printout of the Printer Statistics



PRINT STATS? NO The printer statistics is not printed.

PRINT STATS? YES The printer statistics is printed. The printout starts as soon as you select this value.

NOTE: The Printer Statistic printout indicates:

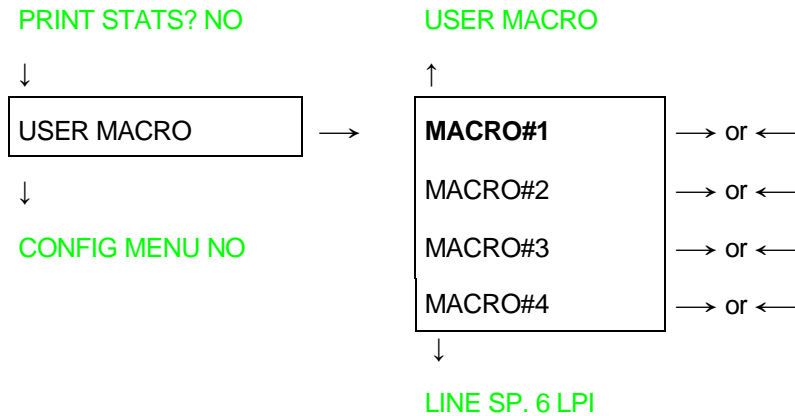
- The printer model
- The current firmware release with Version and FW Identifier
- The statistic parameters :
 - PowerOn Cycle
 - PowerOn Hours
 - Pages
 - Barcodes
 - Pages with Graphics
 - HS Draft Characters
 - Draft Characters
 - Best Draft Characters
 - NLQ Characters
 - LQ Characters

<input type="radio"/>	-USAGE STATISTIC DATA PRINTOUT:		<input type="radio"/>
<input type="radio"/>			<input type="radio"/>
<input type="radio"/>	PRINTER MODEL:	S828	<input type="radio"/>
<input type="radio"/>	FIRMWARE CODE:	ver. 1.00 FMW00476	<input type="radio"/>
<input type="radio"/>			<input type="radio"/>
<input type="radio"/>	PowerOn Cycle:		<input type="radio"/>
<input type="radio"/>	PowerOn Hours:	3	<input type="radio"/>
<input type="radio"/>	Pages:		<input type="radio"/>
<input type="radio"/>	Pages:	2	<input type="radio"/>
<input type="radio"/>	BarCodes:	12,348	<input type="radio"/>
<input type="radio"/>	Pages With Graphics:	1,508	<input type="radio"/>
<input type="radio"/>	HS Draft Characters:	25,243,568	<input type="radio"/>
<input type="radio"/>	Draft Characters:	128,909,878	<input type="radio"/>
<input type="radio"/>	BEST Draft Characters:	23,567	<input type="radio"/>
<input type="radio"/>	NLQ Characters:	25,345,678	<input type="radio"/>
<input type="radio"/>	LQ Characters:	78,908	<input type="radio"/>

User Macro

The USER MACRO item allows to prepare four printing environments (MACRO#1, MACRO#2, MACRO#3 and MACRO#4). Each macro is composed of a group of parameters which define a configuration that can then be recalled to easily set the printer for four printing environments.

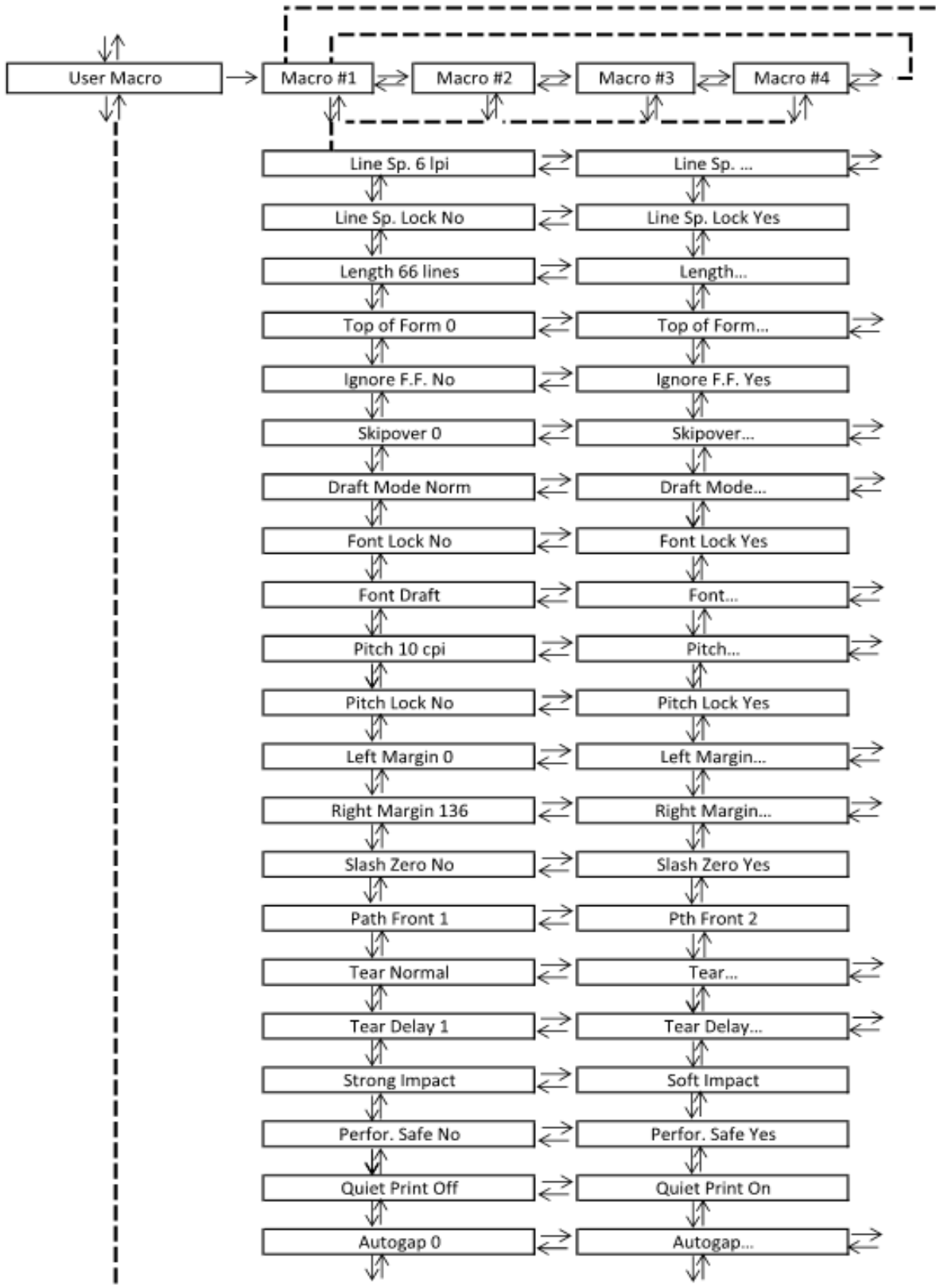
Selection of the User Macro



Selection of the macro for which you intend to set the parameters.

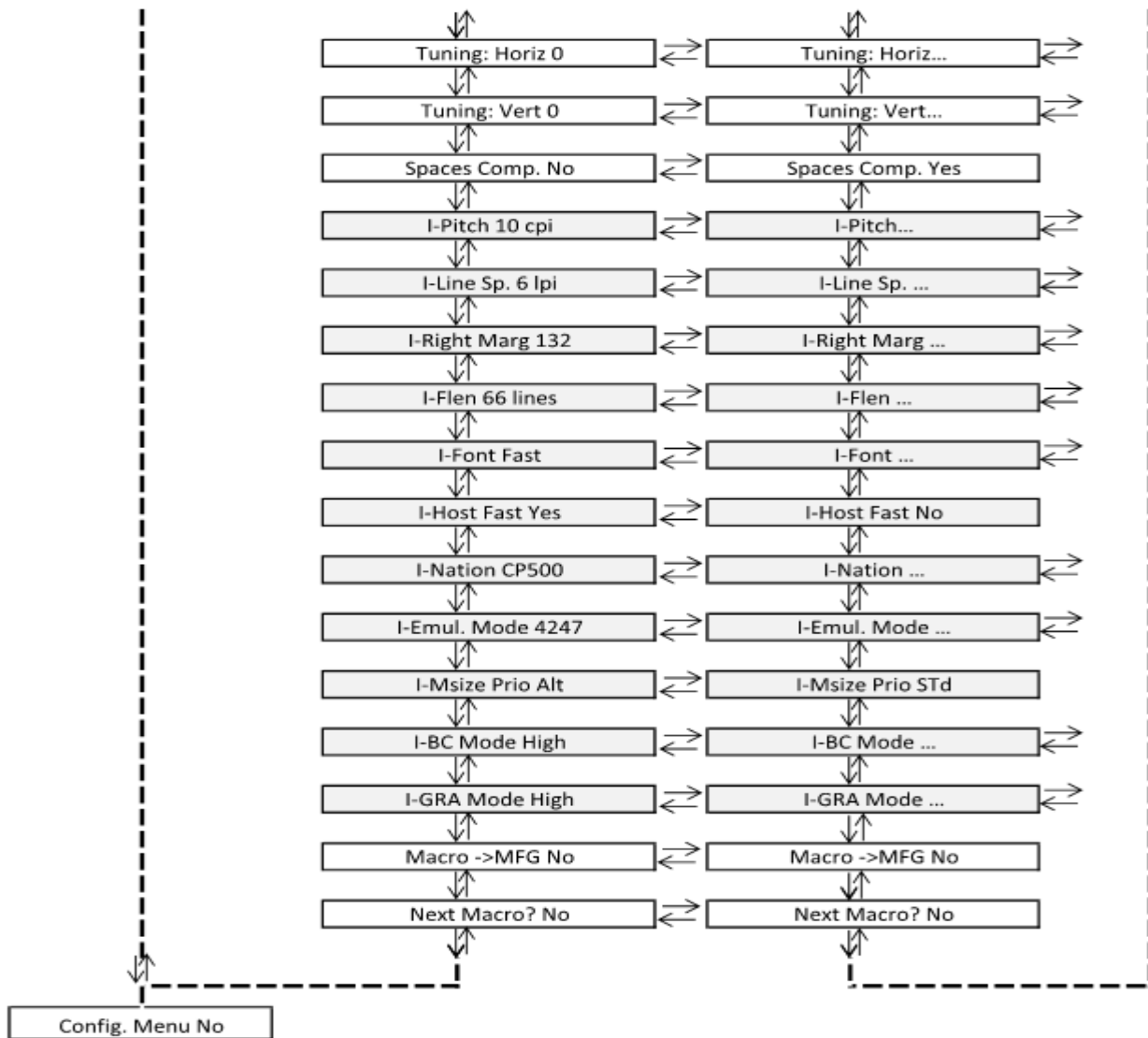
When a new macro is selected and the fanfold paper is present in the paper path set in the previous macro, it will be automatically parked (TEAR IF NECESS/PARK PAPER is displayed). Tear off this fanfold paper and press PARK key.

User Macro Parameters

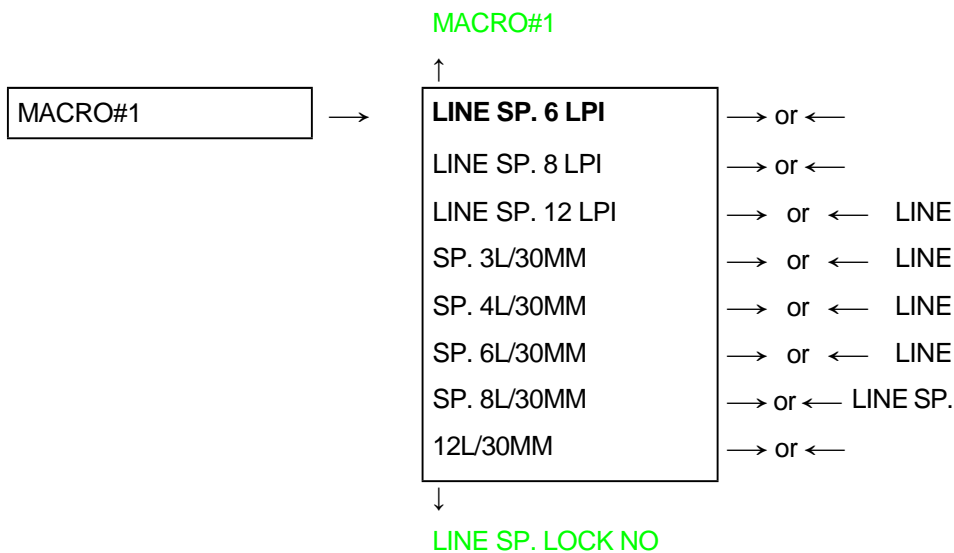


The table continues on the next page

The first part of this table on previous page



Line Spacing



These values define the line spacing in lines/inch (6, 8, 12) or in lines per 30 mm (3, 4, 6, 8, 12).

Line Spacing Lock

LINE SP. 6 LPI

↑

LINE SP. LOCK NO	→ or ←
LINE SP. LOCK YES	→ or ←

↓

LENGTH xxx

LINE SP. LOCK NO	Setting this item, the value set for vertical spacing can be changed by software or operator panel.
LINE SP. LOCK YES	Setting this item, the value set for vertical spacing cannot be changed by software but only by operator panel.

Page Length

LINE SP. LOCK NO

↑

LENGTH 1 LINE	→ or ←
LENGTH ... LINES	→ or ←
LENGTH 244 LINES	→ or ←

↓

TOP OF FORM 0

These items set the page length for fanfold paper in number of lines depending on the current vertical spacing. Default value is **66 lines**.

Top of Form

LENGTH xx

↑

TOP OF FORM 0	→ or ←
TOP OF FORM ...	→ or ←
TOP OF FORM xxx	→ or ←

↓

IGNORE F.F. NO

These items set the top of form. The values range between 0 and the page length - 1.

Form Feed (FF) Command

TOP OF FORM 0

↑

IGNORE F.F. NO	→ or ←
IGNORE F.F. YES	→ or ←

↓

SKIPOVER 0

IGNORE F.F. NO

The Form Feed (FF) command is always executed.

IGNORE F.F. YES

The Form Feed (FF) command is ignored when the paper is in the top of form (TOF) position.

A Form Feed can be performed if the LOAD/FF key is pressed.

Skip Over Perforation

IGNORE F.F. NO

↑

SKIPOVER 0	→ or ←
SKIPOVER ...	→ or ←
SKIPOVER xxx	→ or ←

↓

DRAFT MODE NORM

These items set the skip-over perforation. The values range between 0 and the page length - 1.

Draft Print Mode Selection

SKIPOVER 0

↑

DRAFT MODE NORM	→ or ←
DRAFT MODE HS	→ or ←

↓

FONT LOCK NO

DRAFT MODE NORM

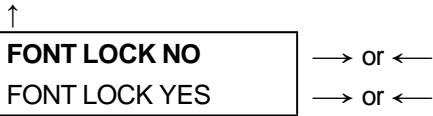
The printer performs the draft printing at normal speed.

DRAFT MODE HS

The printer performs the draft printing at high speed.

Font Lock

DRAFT MODE NORM

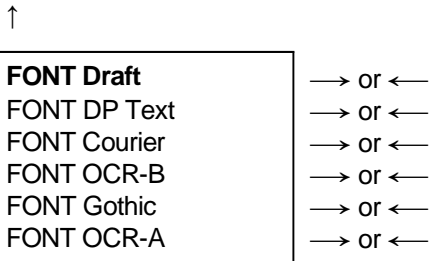


↓
FONT DRAFT

FONT LOCK NO Setting this item, the Font can be changed by software or operator panel.
 FONT LOCK YES Setting this item, the Font can be changed ONLY by operator panel.

Font Selection

FONT LOCK NO

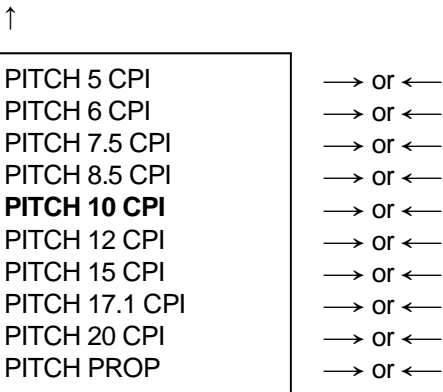


↓
PITCH 10 CPI

Selects the fonts. OCR-A is displayed only if a not proportional pitch has been selected.

Pitch Selection

FONT DRAFT



↓
PITCH LOCK NO

These items set the horizontal spacing in characters per inch. The PITCH PROP item sets proportional character spacing.

Pitch Lock

PITCH 10 CPI



PITCH LOCK NO	→ or ←
PITCH LOCK YES	→ or ←



LEFT MARGIN 0

PITCH LOCK NO

Setting this item, the pitch can be changed by software or operator panel.

PITCH LOCK YES

Setting this item, the pitch can be changed ONLY by operator panel.

Left Margin

PITCH LOCK NO



LEFT MARGIN 0	→ or ←
LEFT MARGIN ...	→ or ←
LEFT MARGIN xxx	→ or ←



RIGHT MARGIN 136

The Left Margin is set in number of columns (depending on the current pitch) starting from the physical left edge.

Right Margin

LEFT MARGIN 0



RIGHT MARGIN. 2	→ or ←
RIGHT MARGIN. ...	→ or ←
RIGHT MARGIN. xxx	→ or ←



SLASH ZERO NO

The Right Margin is set in number of columns (depending on the current pitch) starting from the physical left edge.

The default value is **136**.

Zero Character Printing

RIGHT MARGIN 136



SLASH ZERO NO	→ or ←
SLASH ZERO YES	→ or ←



PATH FRONT 1

You can select the Zero character printing with or without a slash.

Paper Path Selection

This function defines the default paper path for the current macro. Paper Path selection depends upon the printer model and the installed options.

SLASH ZERO NO



PATH FRONT 1	→ or ←
PATH FRONT 2	→ or ←



TEAR NORMAL

PATH FRONT 1
PATH FRONT 2

Paper loading with the Front1 push tractor (low position).

Paper loading with the Front2 push tractor (up position). This item is displayed only if the Front2 push tractor option is installed.

Tear-Off Mode

PATH FRONT 1



TEAR NORMAL	→ or ←
TEAR AUTOMATIC	→ or ←
LABEL	→ or ←
TEAR NO	→ or ←



TEAR DELAY 1

TEAR NORMAL
TEAR AUTOMATIC

The Tear-Off Function is performed pressing the TEAR key when the printer is offline. When the printer is not receiving any data, the paper is moved to the Tear-Off position. It is returned to the Tear-Off position as soon as it receives printing data.

LABELS

This item must be set when printing on labels, in order to avoid paper jams.

TEAR NO

The paper does not execute any backward movement. When pressing the PARK key, the paper is ejected.

The paper does not execute any backward movement.

See also “How to Use the Tear-Off Function ” and “How to Handle the Paper Parking ” later in this chapter

Tear Delay Mode

TEAR NORMAL



TEAR DELAY 1	→ or ←
TEAR DELAY ...	→ or ←
TEAR DELAY 5	→ or ←



STRONG IMPACT

This item defines the time that printer uses to move paper to the Tear-Off position in automatic tear mode. The range of the tear delay is between 1 and 5 seconds. The default value is 1 sec.

Print Impact Strength

TEAR DELAY 1



STRONG IMPACT	→ or ←
SOFT IMPACT	→ or ←



PERFOR. SAFE NO

STRONG IMPACT

The impact strength of the print head is set for printing on multicopy paper.

SOFT IMPACT

The impact strength of the print head is set for printing few copies. The printing noise is reduced.

Paper Perforation

This function allows to move the print head aside the paper when the fanfold paper perforation passes between the mylar and the print bar, to facilitate paper movement on critical forms.

STRONG IMPACT



PERFOR. SAFE NO	→ or ←
PERFOR. SAFE YES	→ or ←



QUIET PRINT OFF

PERFOR. SAFE NO

The function is disabled. The print head remains in its position, when the perforation of the paper passes.

PERFOR. SAFE YES

The function is enabled. The print head is moved aside, when the perforation passes.

Quiet Printing

PERFOR. SAFE NO

↑

QUIET PRINT OFF	→ or ←
QUIET PRINT ON	→ or ←

↓
AUTOGAP 0

QUIET PRINT OFF The function is disabled. Printing at normal noise level.
QUIET PRINT ON The function is enabled. Printing at reduced noise level.

Adjusting the Distance of the Print Head

QUIET PRINT OFF

↑

AUTOGAP -5	→ or ←
AUTOGAP ...	→ or ←
AUTOGAP +3	→ or ←
MANUAL GAP	→ or ←
FIXED GAP 0.3	→ or ←
FIXED GAP ...	→ or ←
FIXED GAP 9.3	→ or ←

↓
TUNING: HORIZ 0

AUTOGAP xxx Selecting one of these values sensing the paper thickness. Negative values reduce the distance between the print head and the paper. Default value is AUTOGAP 0.
MANUAL GAP Selecting this item, the print head must be adjusted manually.
FIXED GAP xxx Selecting one of these values the printer adjusts the print head gap to a fixed distance.

Horizontal Character Tuning

AUTOGAP 0

↑

TUNING: HORIZ 0	→ or ←
TUNING: HORIZ ...	→ or ←
TUNING: HORIZ 60	→ or ←

↓
TUNING: VERT 0

These values adjust the distance between the left paper margin and the first print character. The values correspond to 1/120 inch units, i.e. the tuning ranges between 0 and 0.5 inch.

Vertical Character Tuning

TUNING: HORIZ 0

↑

TUNING: VERT. -30	→ or ←
TUNING: VERT. ...	→ or ←
TUNING: VERT. 360	→ or ←

↓

SPACE COMP. NO

These values adjust the distance between the top paper margin and the first printable line. The values correspond to 1/180 inch units, i.e. the tuning ranges between -1/6 and 2 inch. **0** is the default value.

Space Compression

TUNING: VERT 0

↑

SPACE COMPR. YES	→ or ←
SPACE COMPR. NO	→ or ←

↓

MACRO -> MFG NO

This setting if YES compress the space characters.

Resetting the Macro Parameters to the Factory Defaults

TUNING: VERT. 0

↑

MACRO -> MFG NO	→ or ←
MACRO -> MFG YES	→ or ←

↓

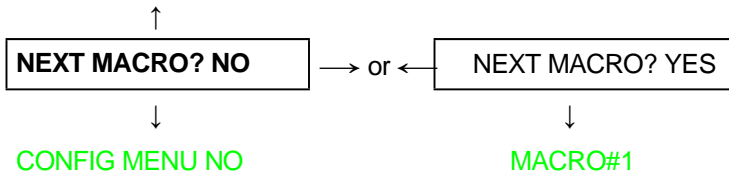
NEXT MACRO? NO

MACRO -> MFG NO
MACRO -> MFG YES

The new values set for the macro parameters will be the used.
The values set for the macro parameters will be reset to their factory defaults.

Selecting Another Macro

MACRO -> MFG NO



To pass over to another macro, select NEXT MACRO YES. Pressing the ↓ or ↑ key the item MACRO#1 is displayed, then press the → key to pass over to MACRO#2 (MACRO CHANGING is displayed).

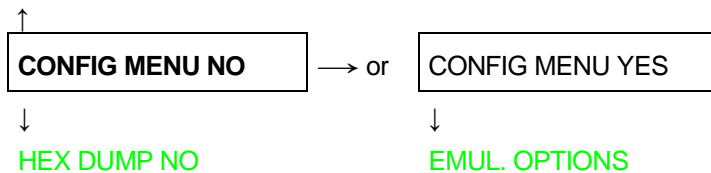
When passing over from one macro to another, the fanfold paper loaded from the paper path, selected in the previous macro, will be automatically parked (TEAR IF NECESS/PARK PAPER is displayed). Tear off this fanfold paper and press PARK key

You can now set the parameters for MACRO#2 as described above. In this way you prepare the second printing environment. Passing over from one macro to the other then sets two different printing environments.

Passing over to the Power-On Configuration

At this point of the setup, it is possible to pass over to the *Power On Configuration* functions setting. See the specific chapter for detailed item.

NEXT MACRO NO

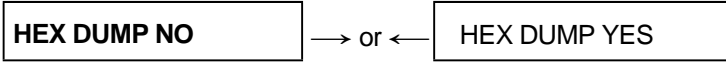


These items are self-explaining.

Hexadecimal Dump

CONFIG MENU NO

↑



↓

STORE? QUIT

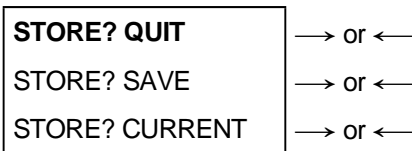
If you select HEX DUMP YES, press the PROGRAM key to set this item. The hexadecimal printing continues, until the HEX DUMP NO item is selected, entering again into the *Program Setup*.

○	This is an example of HEXDUMP printout.	○
○	Numbers: 123456789	○
○	Upper case characters ABCDEFGHIJKLMNOPQRSTUVWXYZ	○
○	Lower case characters abcdefghijklmnopqrstuvwxyz	○
○	eof	○
○	0000 54 68 69 73 20 69 73 20 61 6E 20 65 78 61 6D 70 This is an examp	○
○	0001 6C 65 20 6F 66 20 48 45 58 44 55 4D 50 20 70 72 le of HEXDUMP pr	○
○	0002 69 6E 74 6F 75 74 2E 0D 0A 0D 0A 4E 75 5D 62 65 intout.)#)Nunbe	○
○	0003 72 73 3A 20 20 20 20 20 20 20 20 20 20 20 20 is:	○
○	0004 20 20 30 31 32 33 34 35 36 37 38 39 0D 0A 55 70 123456789)Up	○
○	0005 70 65 72 20 63 51 73 65 20 63 58 61 72 61 63 74 per case charact	○
○	0006 65 72 73 3A 20 41 42 43 44 45 46 47 48 49 4A 4B ers: ABCDEFGHIJK	○
○	0007 4C 4D 4E 4F 50 51 52 53 54 55 56 57 58 59 5A 0D LMNOPQRSTUVWXYZ)	○
○	0008 0A 4C 6F 77 65 72 20 63 61 73 65 20 63 68 61 72 Lower case char	○
○	0009 61 65 74 65 72 73 3A 20 61 62 63 64 66 66 67 68 acters: abcdefgh	○
○	000A 69 6A 6B 6C 6D 6E 6F 70 71 72 73 74 75 76 77 78 ijklmnopqrstuvw	○
○	000B 79 7A 0D 0A 65 6F 66 0D 0A yz)eof)#	○

Storing the values

HEX DUMP NO

↑



PROG

EXIT

- STORE? QUIT This setting does not save any of the new values set. The values set previously will be used.
- STORE? SAVE The values set are stored permanently (in the NVM) and will be used until they are changed by the operator.
- STORE? CURRENT The values set are valid until the printer is turned off. When you turn the printer on again, the values set in the preceding setup will be used.

At this point the Program Configuration Setup is finished
You exit pressing the PROGRAM key

ANSI Emulation

The following items appear only when the ANSI emulation has been selected.

ANSI Character Sets

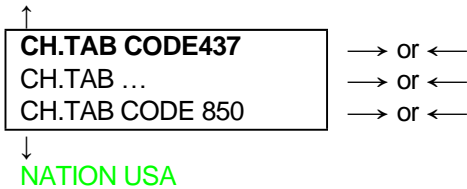
EMULATION ANSI



- CHAR SET CS1 The printer uses the CS1 character set.
- CHAR SET CS2 The printer uses the CS2 character set.

ANSI Code Pages

CHAR. SET CS2

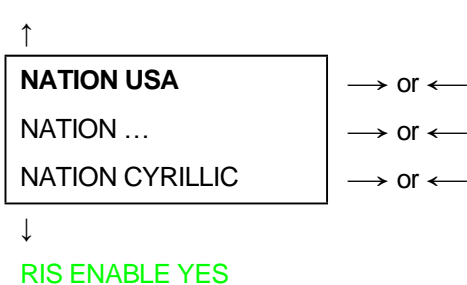


The following code pages are available:

CODE 437	CODE 850	CODE 851	CODE 852	CODE 853	CODE 855	CODE 858	CODE 860
CODE 863	CODE 864	CODE 865	CODE 866	CODE 867	ISO 1	ISO 2	ISO 3
ISO 4	ISO 5	ISO 6	ISO 7	ISO 8	ISO 9	ISO 15	MAZOWIA
TURKISH	CP 437G	ROMAN-8	KAMENICKY	CWI	IN2	CODE 864E	CP1250
CP 1251	CP 1252	CP 1253	CP 1254	CP 1255	CP 1256	CP 1257	BULGAR

ANSI Code Pages

CH.TAB.. CODE437



The following code pages are available:

USA	GERMANY	FRANCE A	FRANCE B	FREN/CANA	DUTCH	ITALY	UK
SPAIN	DAN/NOR A	DAN/NOR B	DAN/NOR C	DAN/NOR D	SWE/FIN A	SWE/FIN B	SWE/FIN C
SWE/FIN D	SWISS	YUGOSLAV	UK A	TURKEY	GREEK	CYRILLIC	

Reset Enable

NATION USA

↑

RIS ENABLE YES	→ or ←
RIS ENABLE NO	→ or ←

↓
RIS ENABLE YES

If the printer receives a command (ESC c) from the host to reset the printer, then the printer will (YES) or will not (NO) reset the current configuration to the power-up configuration.

SI/SO Control

RIS ENABLE YES

↑

SI/SO CTL YES	→ or ←
SI/SO CTL NO	→ or ←

↓
AUTO CR YES

If the printer receives a command (SI or SO) from the host to enable or disable the special modes (oversize, expanded and bar code modes), then the printer will (YES) or will not (NO) respond to the <SI> and <SO> commands based upon your selection.

Auto Carriage Return

SI/SO CTL YES

↑

AUTO CR YES	→ or ←
AUTO CR NO	→ or ←

↓
PRIME ON DEL YES

If the printer receives a command (LF) from the host to perform a line feed then the printer will (YES) or will not (NO) append a carriage return based upon your selection.

Prime on Delete

AUTO CR YES

↑

PRIME ON DEL YES	→ or ←
PRIME ON DEL NO	→ or ←

↓
CONTRL IN DG YES

If the printer receives a command (DEL) from the host, then the printer will (YES) or will not (NO) perform a prime (reset) based upon your selection.

Control Codes in Dot Graphics

PRIME ON DEL YES

↑

CONTRL IN DG YES	→ or ←
CONTRL IN DG NO	→ or ←

↓

CONTRL IN DG YES

If the printer receives a control code from the host while in dot graphics mode, then the printer will (YES) or will not (NO) respond to the particular control code based upon your selection.

Vertical Expansion

CONTRL IN DG YES

↑

EXPAND UP YES	→ or ←
EXPAND UP NO	→ or ←

↓

ALT GRAPHICS YES

This setting defines the vertical expansion from the baseline up (YES) or from the top line down (NO).

ALT Graphics

EXPAND UP YES

↑

ALT GRAPHICS YES	→ or ←
ALT GRAPHICS NO	→ or ←

↓

8 BIT CTRL YES

If is selected N: the 6-bit graphics horizontal densities are multiplies of 72.

If is selected Y: the 6-bit graphics horizontal densities are multiplies of 60.

8-bit Control

ALT GRAPHICS YES

↑

8 BIT CTRL YES	→ or ←
8 BIT CTRL NO	→ or ←

↓

S/SUB SCRIPT YES

If the printer receives a control code command (80H to 9FH) whose eighth data bit is set, and the character set is selected, then the printer will (YES) or will not (NO) respond to the particular code based upon your selection.

Superscript/Subscript Character Enable

8 BIT CTRL YES

↑

S/SUB SCRIPT YES	→ or ←
S/SUB SCRIPT NO	→ or ←

↓

ESC+CTR CODE YES

The printer will (YES) or will not (NO) respond to ESC [2 m and ESC [3 m commands.

ESC+Control Code

S/SUB SCRIPT YES

↑

ESC+ CTR CODE YES	→ or ←
ESC+ CTR CODE NO	→ or ←

↓

VT NOT SET YES

In this setting the control codes embedded within escape sequence are valid (YES) or ignored (NO). In both cases, the escape sequence will be valid.

VT Code

ESC+ CTR CODE YES

↑

VT NOT SET YES	→ or ←
VT NOT SET NO	→ or ←

↓

DOUBLE LF YES

In this setting the VT code received without tab set will yield line feed (YES) or will be ignored (NO).

Double Line Feed

VT NOT SET YES

↑

DOUBLE LF YES	→ or ←
DOUBLE LF NO	→ or ←

↓

DOUBLE LF YES

If the printer receives a command (LF) from the host to execute a line feed, then the printer will (Y) or will not (N) also perform double line feed based upon your selection.

Automatic Wrap

DOUBLE LF YES

↑

AUTO WRAP YES	→ or ←
AUTO WRAP NO	→ or ←

↓

CLEAR MARGIN YES

If the printer receives printable data from the host, and such data exceeds the current line length (right margin), then the printer will (Y) or will not (N) continue to print the remaining data on the following line based upon your selection.

If you disable auto wrap by selecting N, then the data beyond the right margin is discarded up to the next line terminator.

Clear Margin

AUTO WRAP YES

↑

CLEAR MARGIN YES	→ or ←
CLEAR MARGIN NO	→ or ←

↓

BACKOP NINE

Clears (Y) or preserves (N) top and bottom margins on form length changes.

Backup Option

CLEAR MARGIN YES

↑

BACKUP NONE	→ or ←
BACKUP BC	→ or ←
BACKUP OS	→ or ←
BACKUP BOTH	→ or ←

↓

GUARD BAR YES

- | | |
|------|--|
| BC | The printer will return the print head to the vertical position established before turning on Barcode modes at the completion of printing of the current barcode symbol. |
| OS | The printer will return the print head to the vertical position established before turning on Oversize modes at the completion of printing of the current barcode symbol. |
| BOTH | The printer will return the print head to the vertical position established before turning on both Barcode and Oversize modes at the completion of printing of the current barcode symbol. |
| NONE | The print head will remain in the vertical and horizontal position active at the completion of printing of the selected symbol. |

Barcode Guard Bar Enable

BACKUP NONE

↑

GUARD BAR YES

→ or ←

GUARD BAR NO

→ or ←

↓

FONT LOCK

The printer will (Y) or will not (N) include left, right and center Guard bars of the barcode styles which use Guard bars based upon your selection. The Guard bars extend into the human readable line of the barcode symbol when it is enabled.

IPDS Emulation

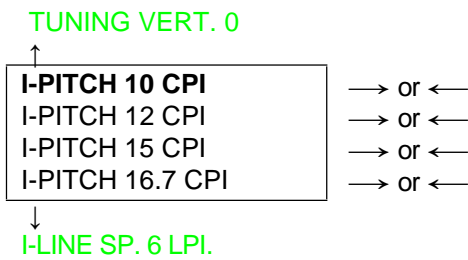
The following is the description of the printer IPDS specific menu items.

These items appear only when the controller board installed on the unit is equipped with Ethernet LAN Interface handling IPDS data stream.

The IPDS emulation menu items have been included in the four user macros. To select the IPDS items, access the Program Setup, select the User Macro and scroll the items up to Vertical Character Tuning.

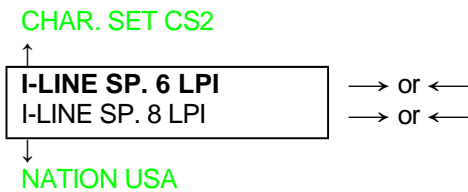
The IPDS emulation option has the following structure:

Pitch Selection



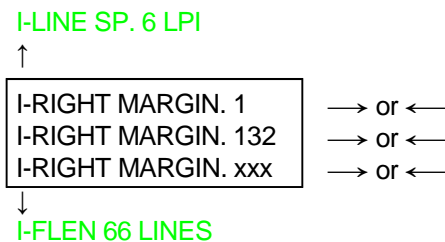
These items set the horizontal spacing in characters per inch. The default value is 10 CPI.

Line Spacing



These values define the line spacing in lines/inch (6, 8). The default value is 6 LPI.

Right Margin



The Right Margin is set in number of characters (depending on the current pitch) the printer prints on a line.

The default value is **132**. The Right Margin and the CPI settings determine the length of the print line.

The maximum line length is 13.6 inches.

Page Length

I-RIGHT MARG 132



I-FLEN 1 LINE	→ or ←
I-FLEN 66 LINES	→ or ←
I-FLEN xxx LINES	→ or ←



I-FONT FAST

Selects the page length for the printer from 1-660 lines for 6 LPI and 1-880 lines for 8 LPI. The default value is **66** lines.

Print Quality

I-FONT FAST



I-FONT FAST	→ or ←
I-FONT DP	→ or ←
I-FONT DP TEXT	→ or ←
I-FONT NLQ	→ or ←



I-HOST FAST YES

Selects the Print Quality to any of the following values:

- Fast Draft Quality (default value)
- DP (Data processing) Quality
- DP Text Quality
- Near Letter Quality (NLQ).

Host Fast Draft

I-FONT FAST



I-HOST FAST YES	→ or ←
I-HOST FAST NO	→ or ←



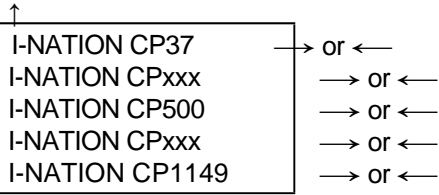
I-NATION CP500

Selects the Host Fast Draft parameter to the following values:

- YES (default): The highest print speed (lowest print quality) available through the data stream is Fast Draft Quality.
- NO: The highest print speed (lowest print quality) available through the data stream is DP Quality.

Print National Character Sets

I-HOST FAST YES



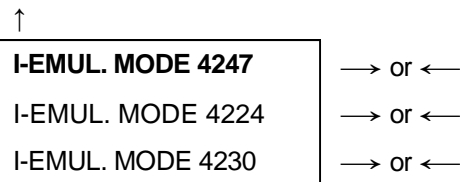
I-EMUL. MODE 4247

The following national character sets can be selected:

CP 437 USA/Canada	CP260 Canadian French	CP273 Austrian/German	CP274 Belgian Old	CP275 Brazilian
CP277 Danish/Norwegian	CP278 Finnish/Swedish	CP280 Italian	CP281 Japanese English	CP282 Portuguese
CP284 Spanish	CP285 English (UK)	CP290 Japanese Katakana	CP297 French	CP420 Arabic
CP423 Greek (Old)	CP424 Hebrew	CP500 International 5	CP833 Korean	CP838 Thai
CP870 Latin2 / ROECE	CP871 Icelandic	CP875 Greek (New)	CP880 Cyrillic	CP890 Yugoslav (Old)
CP892 OCR-A	CP893 OCR-B	CP924 Latin 9	CP1025 Cyrillic Multilingual	CP1026 Turkish
CP1097 Farsi	CP1112 Baltic Multilingual	CP1122 Estonian	CP1140 Euro USA/Canada	CP1141 Euro Austrian/German
CP1142 Euro Danish/Norwegian	CP1143 Euro Finish/Swedish	CP1144 Euro Italian	CP1145 Euro Spanish	CP1146 Euro English (UK)
CP1147 Euro French	CP1148 Euro International 5	CP1149 Euro Icelandic		

Emulation Mode

I-NATION CP500



I-MSIZE PRIO ALT

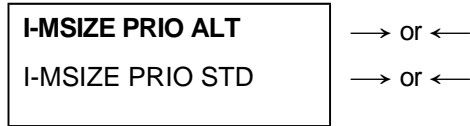
The Selects the Emulation mode to the following values:

- 4247 (default)
- 4224
- 4230

Media Size Priority

I-EMUL. MODE 4247

↑



↓

I-BC MODE HIGH

This parameter affects the use of the XOH Set Media Size (SMS) order. The Media Size Priority setting specifies whether XOH-SMS orders take precedence over the Op Panel setting for Right Margin and Form Length.

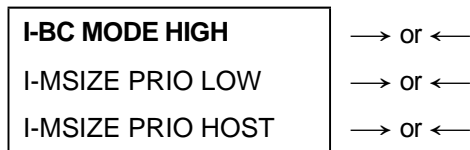
The following values are available:

- ALT (Alternate) (default): The XOH-SMS order values have priority. If an XOHSMS order is present. Its values will be used to define the page size instead of the Op Panel settings
- STD (Standard): The smaller page size values have priority. The page size will be the smaller values of the Op Panel settings and the XOH-SMS values.

Bar Code Mode

I-MSIZE PRIO ALT

↑



↓

I-BC MODE HIGH

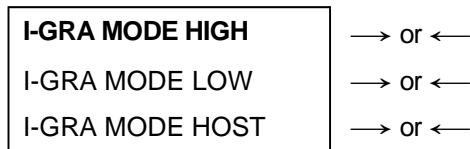
This parameter selects the Bar Code Mode to any of the following values: - HIGH (default): High contrast Bar Codes

- - LOW: Low contrast Bar Codes
- - HOST: Contrast as specified by the IPDS data stream

Graphics Mode

I-I-BC MODE HIGH

↑



↓

MACRO -> MFG NO

This parameter selects the Graphics Mode to any of the following values:

- HIGH (default): High density graphics
- LOW: Low density graphics
- HOST: Density as specified by the IPDS data stream

How to Select the Paper Path

The paper can be loaded into the printer using different paper paths. The messages indicating the paper paths are shown depending upon the printer model and if the corresponding loading device is installed on the printer.

Proceed as follows:

1. Press the ON LINE key to put the printer offline (ON LINE indicator unlit).
2. Press the PATH key, according to the installed devices the following messages are displayed:

PATH FRONT 1 For the paper path using the Front1 push tractor.

PATH FRONT 2 For the paper path using the Front2 push tractor option.

- To load fanfold paper go to "Loading Paper Using the Front1 Push Tractor", "Loading Paper Using the Front2 Push Tractor (option)". When a new paper path is selected, the paper loaded in the printer is automatically parked.

How to Use the Tear-Off Function

This function is used to match the paper perforation with the tear-off bar. For this function the following values must be set:

Selection of the Paper Size

1. Press the PROGRAM key when the printer is disabled or enabled without printing to enter the *Program Setup*.
2. Press the ↓ key and the following message appears:

USER MACRO

3. Press the → key to select the macro for which you want to set the paper size (MACRO#1, MACRO#2, MACRO#3 or MACRO#4).
4. Once the desired macro is displayed press the ↓ key until the following parameter is displayed:

LENGTH xx

5. Press the → or ← key until the desired page size is displayed.
6. Press again the PROGRAM key to exit the setup and set the new value.

Adjusting the Tear-Off Position

To check the Tear-Off Position proceed as follows:

1. Check if the paper perforation matches the tear-off bar on the printer.
2. To move manually the paper to the Tear-Off position, press the TEAR key when the printer is enabled without printing (TEAR NORMAL function selected YES in the *Program Setup*).

You can leave the manual tear off function by pressing again the TEAR key

If it does not:

1. Turn the printer off and press the PROGRAM key and hold it pressed while powering on the printer until the RELEASE KEYS message is displayed to enter the *Power-On Configuration*.
2. Press the ↓ key until the following message appears:

FUNCTIONS

2. Press the → key to enter and then press the ↓ until the following message is displayed:

TEAR ADJUST xxx

3. Press the → or ← key to scroll the values of this function.

Values below 0 move the tear-off position downwards, values above 0 move the paper upwards. The values can be set between +30 and -390 at 1/180 inches (from +1/6 to -13/6 inches).

5. When the desired value is displayed, press the PROGRAM key.
6. Press the PROGRAM key to save and exit from the setup.

Selection of the Tear-Off Mode

It is now possible to select the Tear-Off Mode.

1. Press the PROGRAM key when the printer is disabled or enabled without printing to enter the *Program Setup*.
3. Press the ↓ key. The following message is displayed:

USER MACRO

3. Press the → key to select the macro for which you want to set the tear-off mode (MACRO#1, MACRO#2, MACRO#3 or MACRO#4).
4. Press the ↓ key, until the following message is displayed:

TEAR NORMAL

Pressing the → or ← key it is now possible to decide how to execute the tear off function:

- | | |
|----------------|---|
| TEAR NORMAL | Pressing the TEAR key the paper is moved to the tear-off position.
Pressing again the TEAR key to exit from the tear-off mode, the paper is moved to the printing position. |
| TEAR AUTOMATIC | If the printer is not receiving data, the paper is moved automatically to the tear position. |
| LABEL | The TEAR key is disabled for the tear-off function. This selection is useful when printing on labels. Pressing the PARK key, the printer ejects the paper toward the back of the printer. |
| TEAR NO | The tear-off function is disabled. |

5. Press the PROGRAM key to exit the setup.

How to Lock/Unlock the Printer Setups

To prevent not expertise persons changing the printer setup parameters, it is possible to lock/unlock the access to the printer setups as follows:

- Press ON LINE, MACRO and TEAR keys at the same time and keep them pressed while powering the printer on until the display shows RELEASE KEYS message. As soon as these keys are released, the following messages will be displayed:

	STARTING UP
then	S828 Ver. Xx.x
then	LOCKED MENU

Now the access to the printer setups is locked. If the PROGRAM key is pressed, the LOCKED MENU message is displayed (the PROGRAM key is disabled).

- If you decide to unlock the printer setup, turn the printer off, then press the ON LINE, MACRO and TEAR keys at the same time and keep them pressed while powering the printer on again until the display shows RELEASE KEYS message. As soon as these keys are released, the following messages will be displayed:

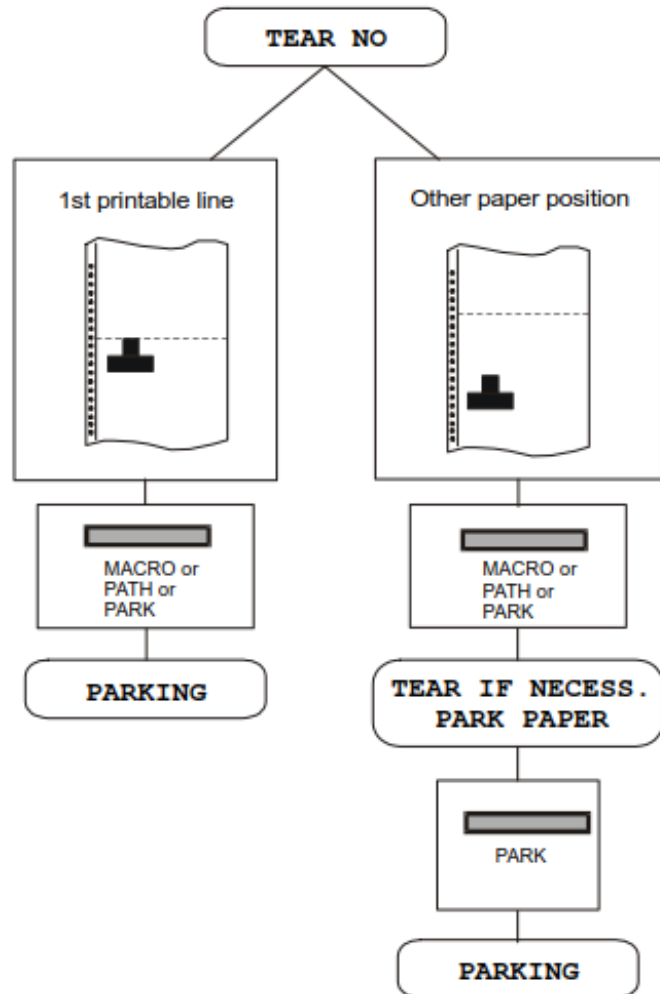
	STARTING UP
then	S828 Ver. Xx.x
then	UNLOCKED MENU

How to Handle the Paper Parking

According to the setting of the TEARitem in the *Program Setup*, the paper parking procedure is performed in different ways. See the following description:

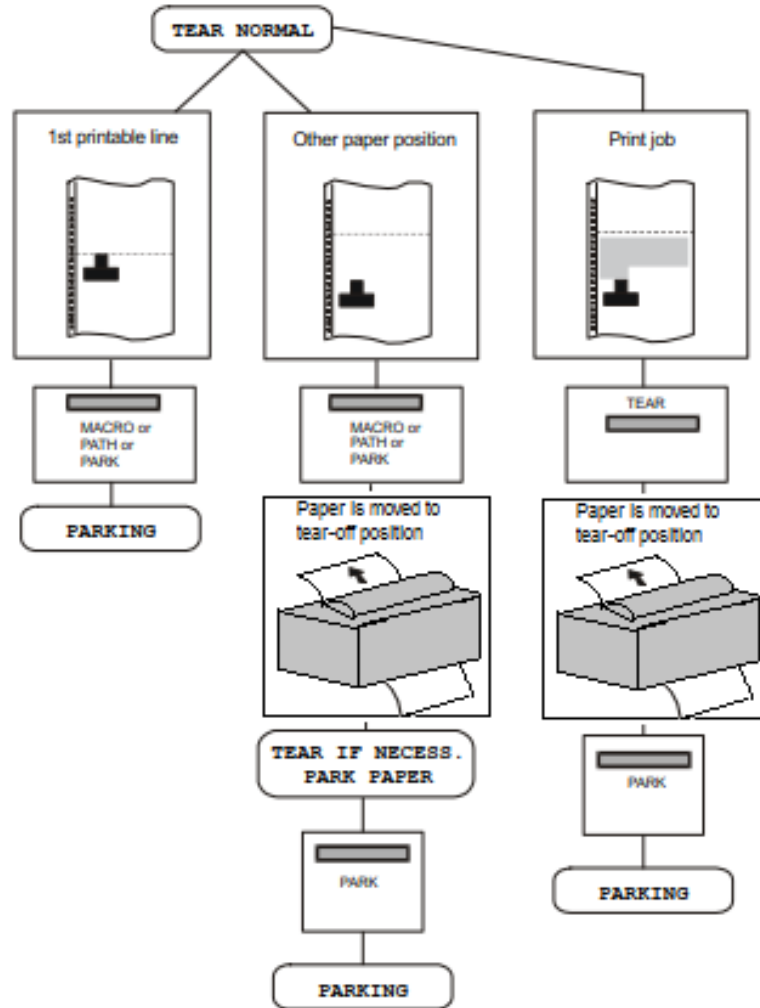
If TEAR NO is selected:

- When the paper is positioned at the first printable line and the paper path is changed (changing the Macro or pressing the PATH key) or the PARK key is pressed, the printer performs automatically the parking procedure.
- If at least one line has been printed, or the paper has been fed forward at least 1 line and the paper path is changed (changing the Macro or pressing the PATH key) or the PARK key is pressed, the display shows **TEAR IF NECESS./PARK PAPER**.
If the paper to be parked is longer than 18" tear it off and press the PARK key again to perform the parking procedure.



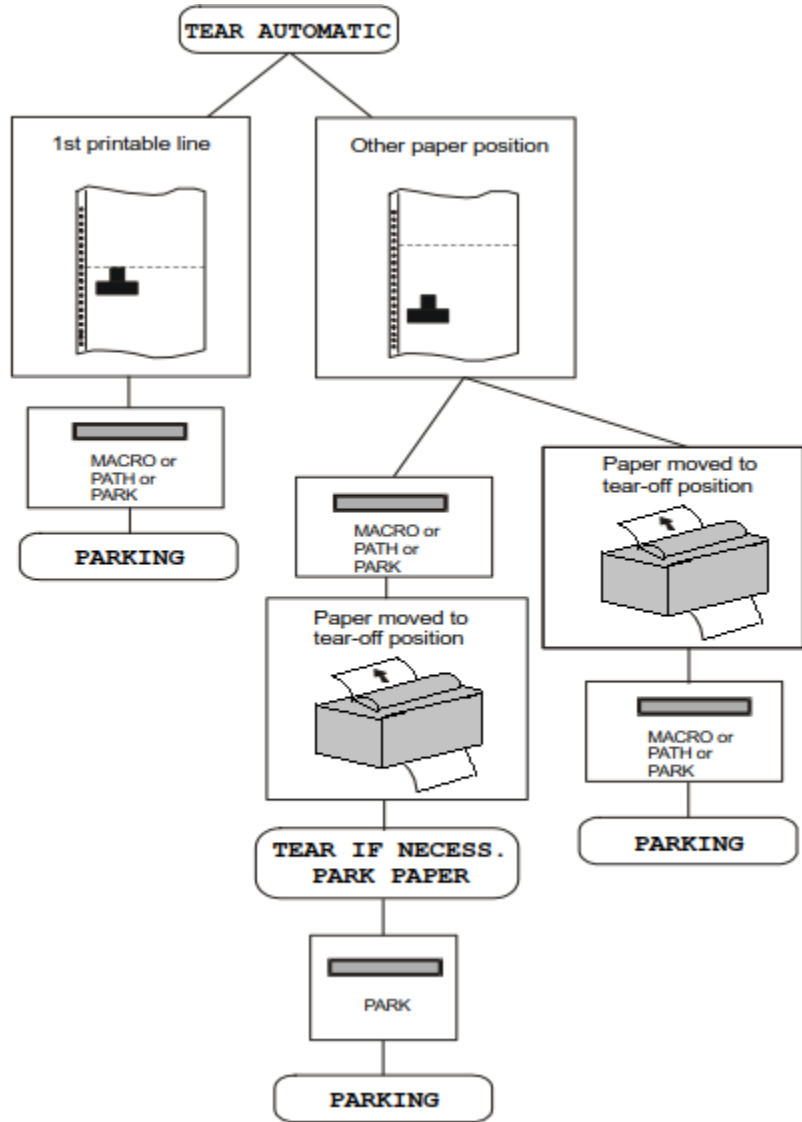
If TEAR NORMAL is selected:

- When the paper is positioned at the first printable line and the paper path is changed (changing the Macro or pressing the PATH key) or the PARK key is pressed, the printer performs automatically the parking procedure.
- If at least one line has been printed, or the paper has been fed forward at least 1 line and the paper path is changed (changing the Macro or pressing the PATH key) or the PARK key is pressed, the paper is moved to the tear-off position and the display shows **TEAR IF NECESS./PARK PAPER**. If the paper to be parked is longer than 18" tear it off and press the PARK key again to perform the parking procedure.
- When the paper is positioned in the tear-off position after pressing the TEAR key, if you press the PARK key the printer performs automatically the parking procedure.



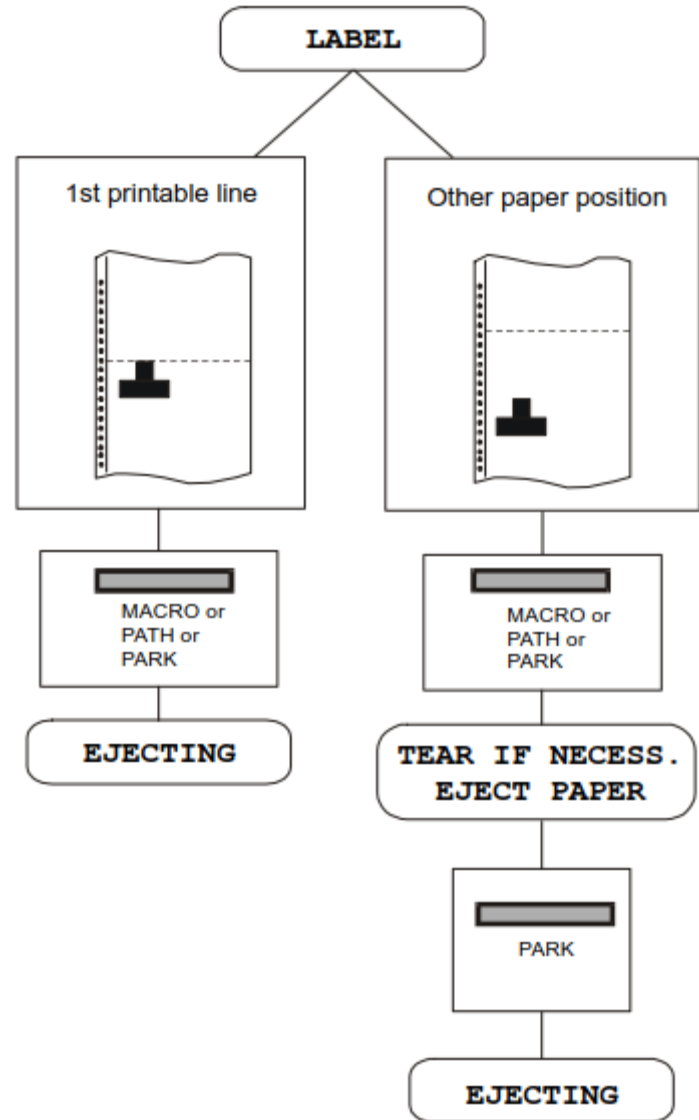
If TEAR AUTOMATIC is selected:

- When the paper is positioned at the first printable line and the paper path is changed (changing the Macro or pressing the PATH key) or the PARK key is pressed, the printer performs automatically the parking procedure.
- If at least one line has been printed, or the paper has been fed forward at least 1 line and the paper path is changed (changing the Macro or pressing the PATH key) or the PARK key is pressed, the paper is moved to the tear position, the display shows **TEAR IF NECESS./ PARK PAPER**. If the paper to be parked is longer than 18" tear it off and press the PARK key again to perform the parking procedure.
 -
- If at least one line has been printed, or the paper has been fed forward at least 1 line and the paper path is changed (changing the Macro or pressing the PATH key) or the PARK key is pressed when the paper is already in the tear position, the printer performs automatically the parking procedure.



If LABEL is selected:

- When the paper is positioned at the first printable line and the paper path is changed (changing the Macro or pressing the PATH key), or the PARK key is pressed the printer automatically ejects the paper towards the rear of the printer.
- If at least one line has been printed, or the paper has been fed forward at least 1 line and the paper path is changed (changing the Macro or pressing the PATH key) or the PARK key is pressed, the display shows TEAR IF NECESS./EJECT PAPER. If the paper to be ejected is longer than 18" tear it off and press the PARK key again to perform the paper ejection.



If at power on the paper is already loaded in a paper path that is different to the paper path used by the macro which is valid at power-on, independently from the setting of the TEAR function, the display shows TEAR IF NECESS./EJECT PAPER. If the paper to be ejected is longer than 18" tear it off and press the PARK key again to perform the paper ejection.

In all the above cases the parking procedure may be interrupted pressing the ALTERNATE key. The display shows OPER. INTERRUPTED.

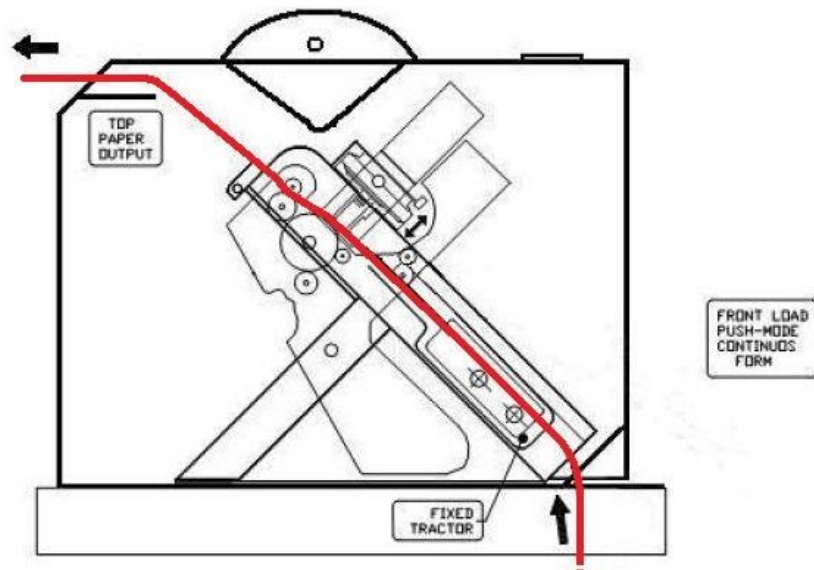
If in any of the above cases you do not tear off the paper and the printer is not able to park it, because it is too long, the display shows TEAR OFF PAPER/PARK PAPER. Tear off the paper and press again the PARK key.

During the parking procedure the display shows PARKING. If the printer is ejecting the paper (see LABEL selection) the display shows EJECTING.

Paper Paths

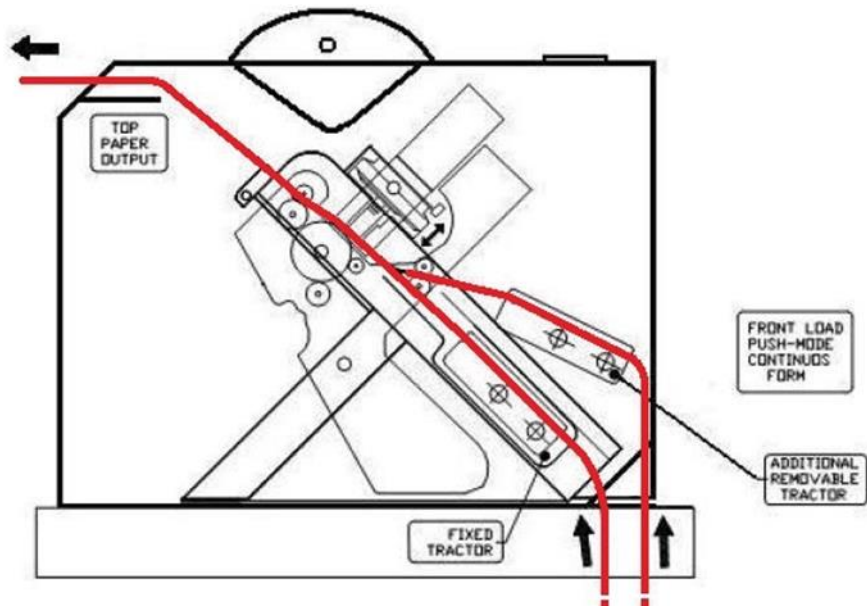
Paper Handling

Base Configuration



Front1 Push Path

With Installed Option



Front2 Push Path

Paper Specifications

It is important to use the correct paper for obtaining the best performance. See the information table below:

Fanfold Paper

Paper Criteria	Characteristics	Continuous Form
		Front Push, Rear Push
Dimensions	Width	76,2 to 431.8 mm - 3 to 17 in.
	Length	76,2 to 431.8 mm - 3 to 24 in.
Single Part	Weight	55 to 150 gm ² - 15 to 40 lb
	Thickness	0.08 to max. 0.635 mm - 0.003 to 0.025 in.
Multiple Parts	Maximum Parts (Original + Copies)	1+ 7 Chemical 1+5 Carbon Paper
	Overall Thickness	0.08 to max. 0.635 mm - 0.003 to 0.025 in.
	Weight of top part	55 to 150 gm ² - 15 to 40 lb
	Attached sheet individual weight	45 to 75 gm ² - 12 to 20 lb
	Carbon paper individual weight	14 to 35 gm ² - 4 to 9 lb

Fanfold Paper Loading

Loading Paper Using the Front1 Push Tractor

- To select the Front1 push tractor paper path, press the PATH key. The display shows:

LOAD FRONT1

- If you have been using a different path, the display shows:

PATH CHANGING

- If you have been using fanfold paper in the Front2 push tractor paper path (if the Front2 push tractor option is installed), the printer automatically starts the parking procedure. The display shows alternately:

TEAR IF NECESS.

and

PARK PAPER

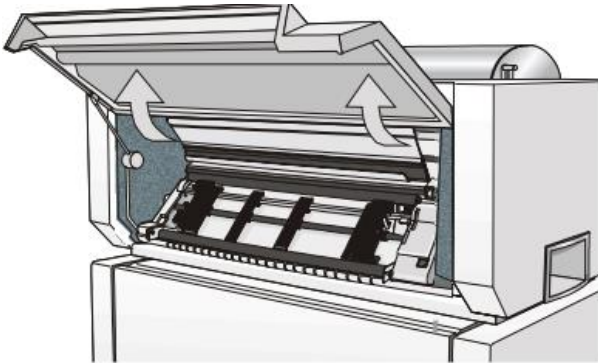
- Tear off the fanfold loaded with the Front2 push tractor (if it is longer than 18 inches) and press the PARK key. The display shows:

PARKING

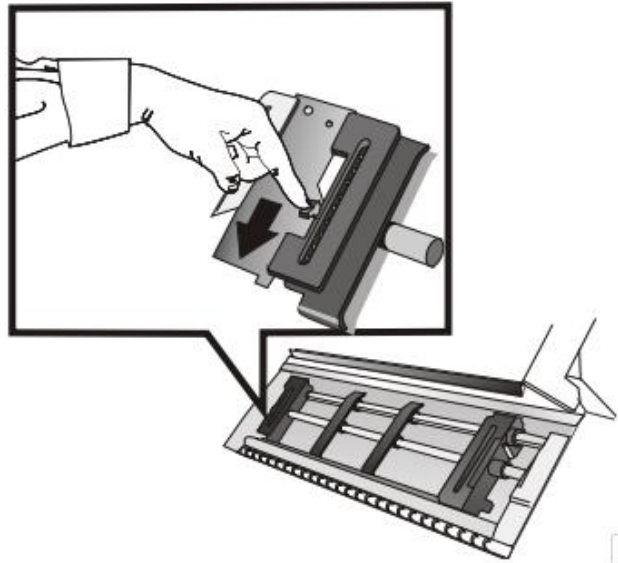
followed by

LOAD FRONT1

1. Open the Push tractors cover turning it upwards and lay it on the top of the printer

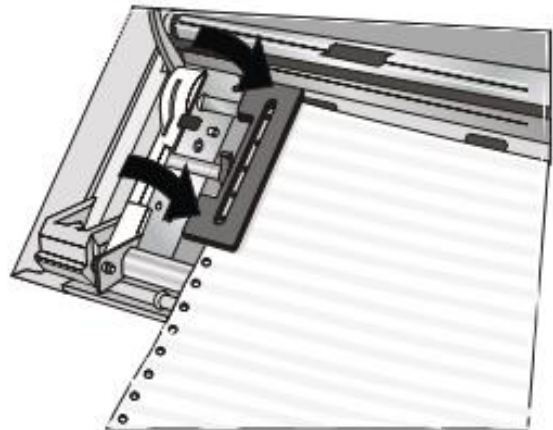
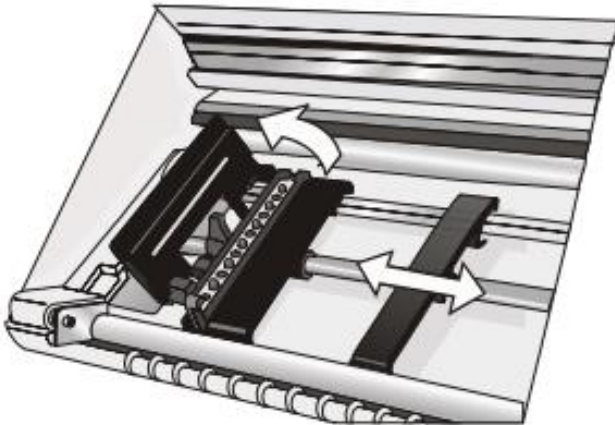


2. Unlock the sprockets of the Front1 tractor moving the sprocket levers down. Slide the left sprocket to the first printing column.

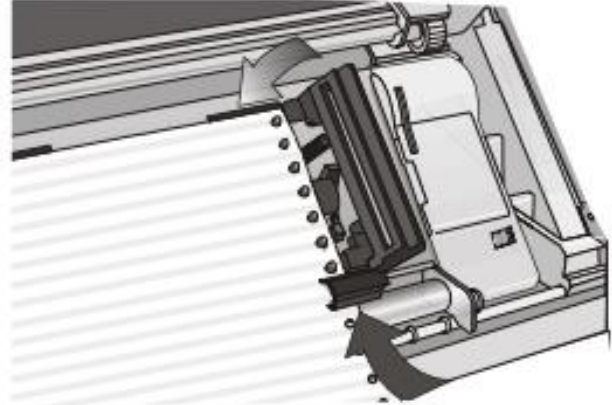
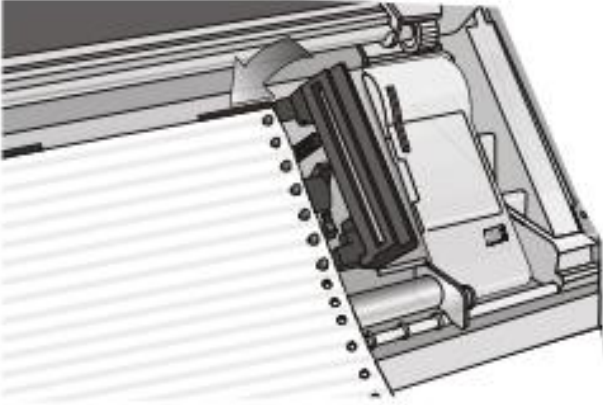


Note: in some version the sprocket levers work in opposite way instead of the same way as the indicated in the figures

3. Space the paper guides along the tractor bar. Open the left and right sprocket covers.
4. Hold the fanfold paper in front of the sprockets and insert the paper perforation on the left sprocket pins and close the left sprocket cover

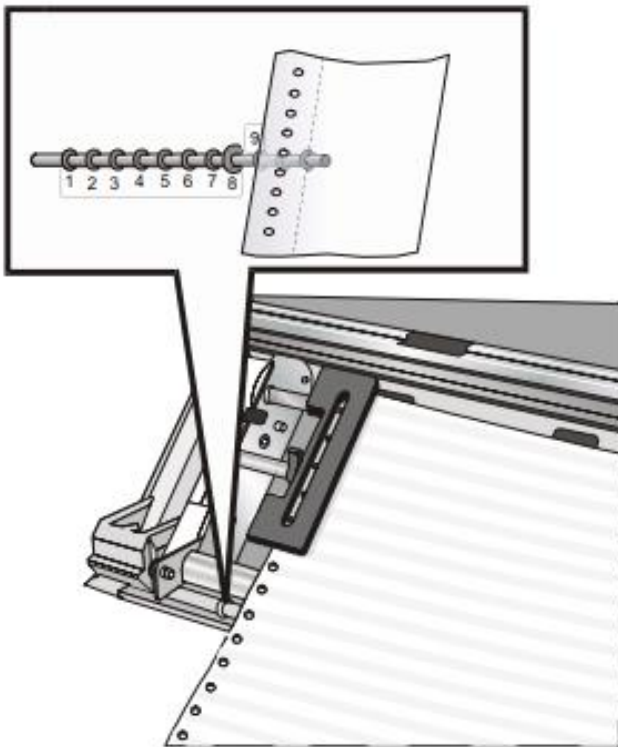


5. Insert the paper on the right sprocket pins and close the right sprocket cover
6. If you are using the 6 pin Front1 Push tractor option, make sure the paper goes under the paper sensor, and close the right sprocket cover.



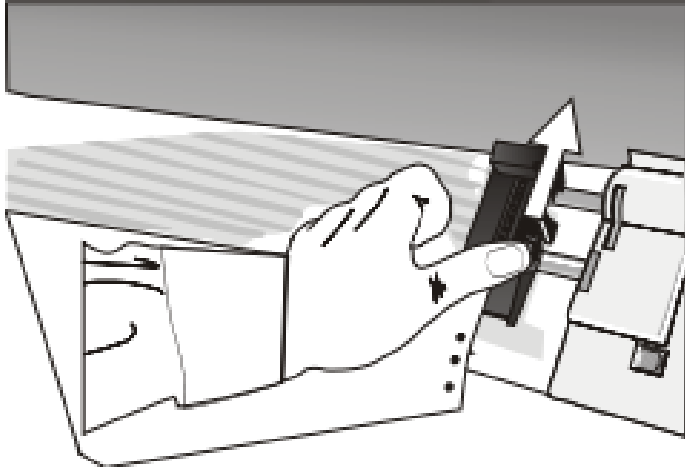
7. Match the left sprocket for the first printing position, i.e. the left paper margin must match the ninth mark on the printer cabinet
8. Adjust the right sprocket gently to remove slack from the paper

Note: Aligning the left-hand edge of the paper past the 22nd spacer on the printer cabinet will cause the paper to be misaligned with the Paper Load Sensor resulting in a 'LOAD FORM' error.

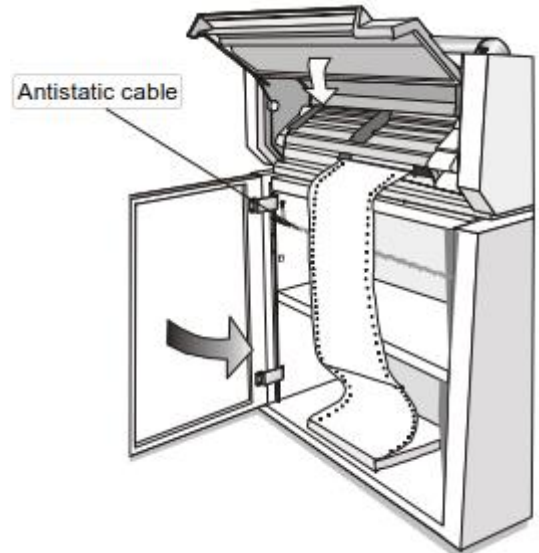


Make sure the paper is not taut

9. Lock the left and right sprockets moving the sprocket levers up

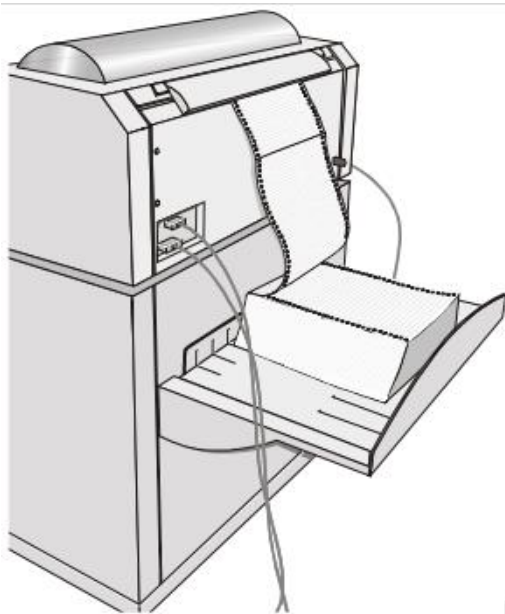


10. Close the Push tractors cover. Press the LOAD/FF key to load the paper into the printer. The paper must be loaded as shown in figure.

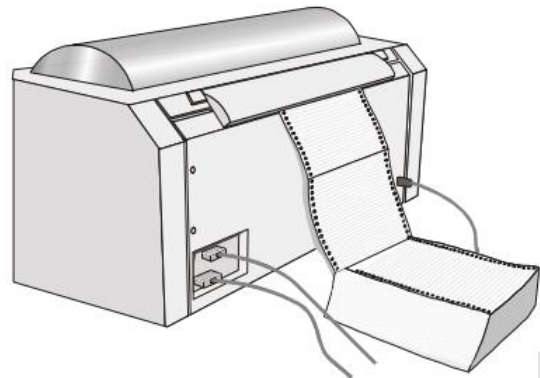


The printed paper is output on the rear side of the printer.

11. If your printer is located on the optional Enclosed Pedestal Stand, the printed paper is collected on the output stacker:



12. If the printer is not installed on the Enclosed Pedestal Stand, make sure that there is enough space to stack the printed paper:



Printing a Configuration Sheet

It is recommend that you now print your printer configuration defaults. Save this printout for future reference. You can create a printout of the printer configuration by following these steps:

1. Press the ON LINE key to take the printer OFF LINE.
2. Press the PROGRAM key. Is displayed
3. Press the → key The PROGRAM SETUP PRINTOUT is printed
4. Press the ↓ key until Is displayed
5. Press the → key The USAGE STATISTICS DATA PRINTOUT is printed
6. Press the ↓ key until Is displayed
7. Press the → key to display
8. Press the ↓ key Is displayed
9. Press the → key The CONFIGURATION SETUP PRINTOUT is printed
10. Press the PROGRAM key
11. Press the TEAR key and tear off the printout at the perforation

Printer Maintenance and Troubleshooting

Cleaning the Printer

**DANGER**

<2-22> Carefully follow all cleaning instructions, using only the materials and solutions recommended.

Before you clean the Printer, make sure the printer has been turned off for at least 15 minutes before starting any cleaning operations

Periodic cleaning will help keep your printer in top condition so that it will always provide optimal performance.

Cleaning Inside the Printer

Every few months, use a soft brush and a vacuum cleaner to remove dust, ribbon lint, and pieces of paper such as chad. Remove the ribbon cartridge to prevent the ribbon from going into the vacuum cleaner. Vacuum any dust from around the print head and in the printer cavity.

Attention: Do not allow any staples, paper clips, or small metal pieces to fall inside the printer.

Cleaning the Outside Covers

Clean the outside of the printer with a damp cloth and mild soap. Do not use any spray-type or chemical cleaners anywhere on your printer. Do not put any liquids or spray near the air vents. For stubborn ink stains on the cover, use a commercial mechanic's hand cleaner.

Replacing the Ribbon Cartridge

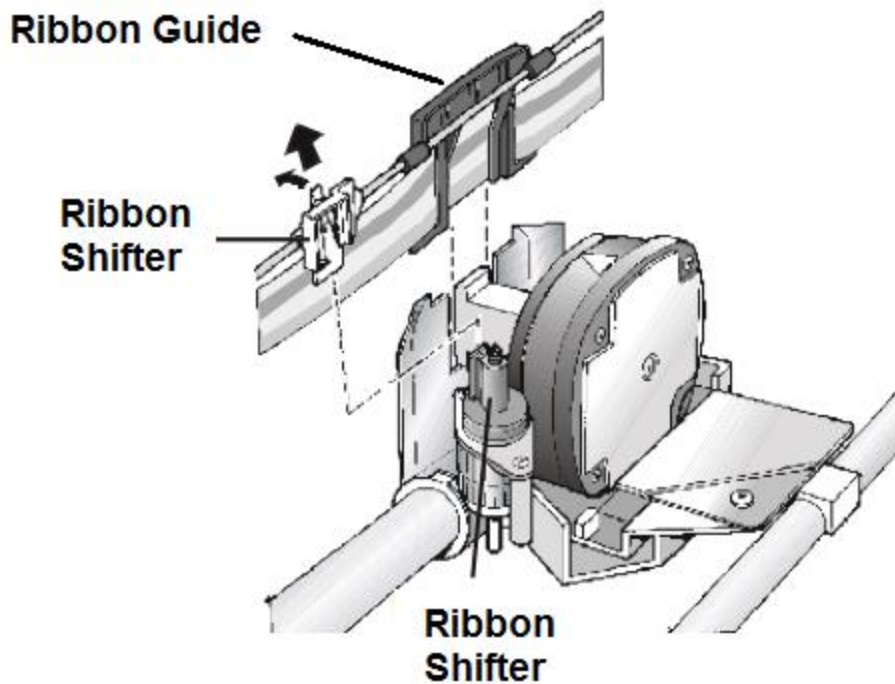
1. Make sure that the printer is turned off for at least 15 minutes.



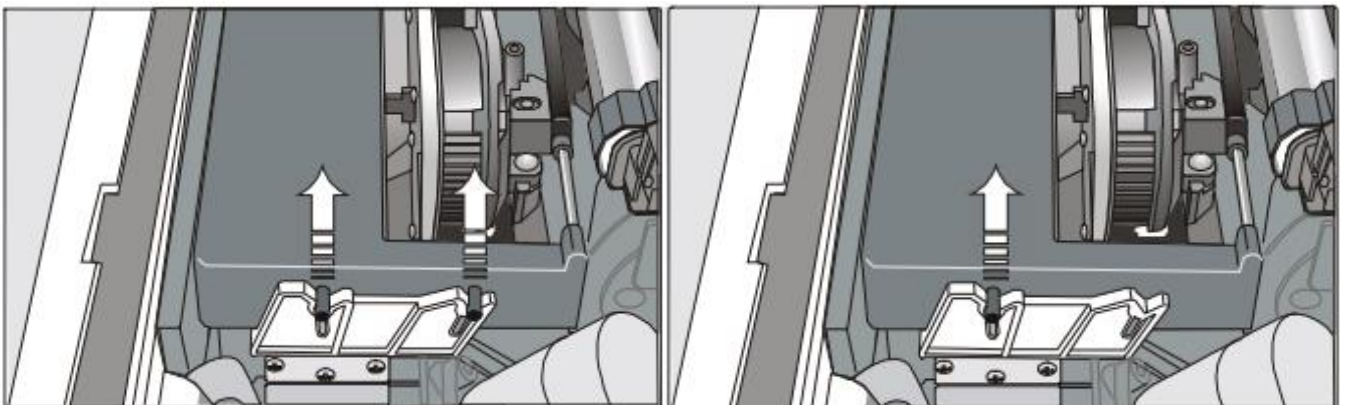
CAUTION:

The printhead may get hot during operation. Be careful when removing or replacing the ribbon..

2. Open the top printer cover.
3. Slide the ribbon guide out of the print head. If the Ribbon Shifter kit is installed on the printer, free the shifter holder pushing the tab towards the rear and pulling the shifter holder up.



3. Remove the used ribbon cartridge by lifting it up.



Black cartridge when the ribbon shifter option is not installed

Black "Long Life" cartridge when the ribbon shifter option is installed

Now, you are ready to insert the new ribbon cartridge. See before "[Ribbon Cartridge Installation](#)".

Printing the Self Test

If you need to know any printer setting, and to check if the printer is working well, print the self- test.

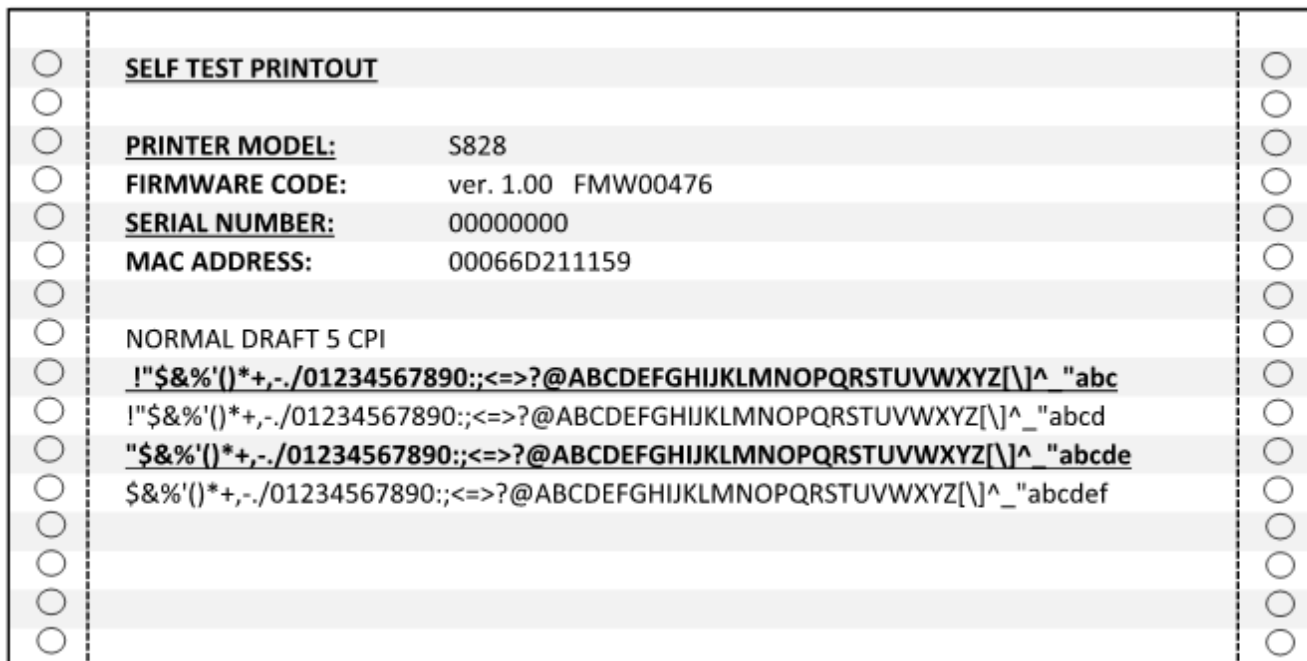
Proceed as follows:

1. Keep the ON LINE key pressed while powering on the printer until the display shows RELEASE KEYS.
2. When you release the key, after initializing the printer starts the self-test printout.

It prints:

- The printer model
 - The current firmware release with Version and FW Identifier
 - The serial number which can be applied as USB ID
 - The MAC ADDRESS of the LAN card
- a continuous loop of characters in different pitches.

3. To stop the self-test printing, press the ON LINE key again. The printer is offline.



Error Handling

When an error condition occurs:

- the printer is disabled;
- the first message on the display indicates the error, while the second message gives more details concerning the error conditions.

Press always the ON LINE key to reset the error condition

Error Message Description

Messages	Indication	Solution
A.G.A NOT OPER ADJUST THE GAP	The automatic gap adjustment (A.G.A) is not enabled.	<p>Press the ON LINE key to reset the error condition. Adjust the print head gap to a fixed distance. Select the print head fixed gap adjustment function in the <i>Program Menu</i>.</p> <ul style="list-style-type: none"> • Press the PROGRAM key when the printer is disabled (READY indicator unlit) to enter the <i>Program Setup</i>. • Press the ↓ key until the USER MACRO function is displayed. Press the → key until the desired macro is displayed (MACRO#x). <p>Press the → key to enter the macro parameters. Press the ↓ key until the FIXED GAP parameter is displayed. Press the → or ← keys to select the fixed gap adjustment values. From FIXED GAP 1 (simple fanfold paper) to FIXED GAP 4 (multipart fanfold paper).</p>
BUFFER OVERFLOW CHARACTER LOST	A buffer overflow condition occurred (for the serial interface).	<p>Turn the printer off and on again, or press the PROGRAM and ON LINE key successively to clear the buffer.</p> <ul style="list-style-type: none"> • Press ON LINE to clear the error. • Increase the buffer size. • Check the handshaking protocol in the CONFIGURATION SET UP against the host protocol. • Restart the print job.
DATA SET OFF	A remote connection serial interface error condition was detected. The Data Set Ready or Data Carrier Detect signal was not sensed.	<p>Check for the correct serial cable for the remote Connection.</p> <ul style="list-style-type: none"> • Press the ON LINE key to reset the error condition.
FRAMING ERROR CHARACTER LOST	An error on the serial transmission occurs. The printer recognized a wrong bit.	<p>Turn the printer off and on again, or press the PROGRAM and ON LINE key successively to clear the buffer.</p> <ul style="list-style-type: none"> • Press ON LINE to clear the error. • Increase the buffer size.

Messages	Indication	Solution
INTERLOCK ERROR CHECK INSERTION	The rear plug cover is not installed on the printer.	Install the rear plug cover on the printer.
JAM FRONT1 PATH CHECK PAPER	A paper jam error condition occurred in the Front1 paper path.	Check the paper path and remove the jammed paper. Press the ON LINE key to reset the error condition.
JAM FRONT2 PATH CHECK PAPER	A paper jam error condition occurred in the Front2 paper path.	Check the paper path and remove the jammed paper. Press the ON LINE key to reset the error condition.
NO PATH AVAILABLE	An electromechanical failure occurs in the paper paths.	Call Service.
NVM CHANGE REMOVE PAPER	If this error is displayed during the printer power on, an NVM error condition occurs.	Turn the printer off and then on again. If the problem is not solved call Service.
OVERRUN ERROR CHARACTER LOST	An error on the serial transmission occurs. The printer recognized a wrong bit. printer recognized a wrong bit.	Turn the printer off and on again, or press the PROGRAM and ON LINE key successively to clear the buffer. <ul style="list-style-type: none"> • Press ON LINE to clear the error. • Increase the buffer size.
PAPER JAM CHECK ALL PATHS	A paper jam error condition occurs in the paper path.	Check all the paper paths and remove the jammed paper. Press the ON LINE key to reset the error condition.
PARITY ERROR CHARACTER LOST	An error on the serial transmission occurs. The printer recognized a wrong parity bit.	Turn the printer off and on again, or press the PROGRAM and ON LINE key successively to clear the buffer. <ul style="list-style-type: none"> • Press ON LINE to clear the error.
PRINT INTEGRITY	Anomalous print out because of a possible print carriage blocking.	<ul style="list-style-type: none"> • Do not move the platen knob. Press the ON LINE key to reset the error condition.
RIBBON BLOCKED CHECK RIBBON	The ribbon of the cartridge is blocked.	Check that the ribbon is correctly inserted. Turn the tension knob to make sure that the ribbon is not jammed. Press the ON LINE key to reset the error condition.
UNKNOWN TRACTOR	A tractor type that is not recognized has been mounted on the printer.	Check that the installed tractor is compatible with the printer.
ENG FLT ERR XYZ	A not-recoverable is detected during initialization phase <ul style="list-style-type: none"> • carriage movement • ribbon movement • paper sensor 	Check for objects inside of the printer blocking carriage, ribbon or paper movement. Turn the printer off and on again, If the problem persists call for service.

Problems List Index


1. **"Forms problems"** on page 107
 - "Problem: Forms buckle, twist, jam, or tractor holes tear" on page 107
 - "Problem: Forms do not feed past printhead" on page 107
 - "Problem: Forms do not stack correctly" on page 107
 - "Problem: Characters are off registration" on page 108
2. **"Print quality and ribbon problems"** on page 108
 - "Problem: Unreadable characters" on page 108
 - "Problem: Missing dots or irregular characters" on page 108
 - "Problem: Ribbon smudging forms" on page 108
 - "Problem: Printing is too light or partial characters print" on page 109
 - "Problem: Ribbon snagging, tearing, or not moving" on page 109
3. **"Configuration problems"** on page 109
 - "Problem: Printer doesn't print or prints wrong characters" on page 109
4. **"Miscellaneous problems"** on page 109
 - "Problem: Printer has no power" on page 109
 - "Problem: Throughput of printer at half speed" on page 109

Forms problems

Causes are listed for each problem in order of priority.	
Problem: Forms buckle, twist, jam, or tractor holes tear	
1. The right tractor is adjusted incorrectly	Solution: Move the right tractor to obtain proper forms tension. The tractor pins should be in the center of the tractor holes.
2. The printer is not at the edge of the table.	Solution: Move the printer to the front edge of the table if having problems with front forms path or move the printer to the rear edge of the table if having problems with the rear forms path.
3. The forms supply is not below the level of the printer.	Solution: Move the forms supply to the floor or on a shelf below the level of the printer.
4. The forms supply is not aligned with the printer.	Solution: Reposition the forms supply so that the forms feed evenly.
5. The forms are catching on the carton edge.	Solution: Remove the uneven carton edges, or remove the forms from the carton.
Note: As the forms reach the bottom of the box, this problem can occur more often.	
6. The ribbon is twisted or folded.	Solution: Check the ribbon for folds or twists.
7. The forms contain excessive moisture.	Solution: Store the forms in a cool, dry place before using them, or store the forms in the printer area for 24 hours.
8. The forms are defective or do not meet specifications	Solution: Try unloading the forms and then reloading forms. Forms should meet the requirements specified in "Paper Specifications" on page 97.
Problem: Forms do not feed past printhead	
1. The Automatic Gap Adjustment (AGA) setting for the paper source you are using needs to be changed	Solution: See "Adjusting the Distance of the Print Head" on page 75
2. The ribbon is twisting or folding.	Solution: Replace the ribbon.
3. You are using thick multiple-part forms	Solution: See the procedure for setting perforation safety to Yes through the operator panel. See "Paper Perforation" on page 74.

Problem: Forms do not stack correctly	
1. The forms do not stack correctly on the table behind the printer	Solution: Use the recommended table size (see "Choosing a Suitable Location" on page 10).
Note: Up to 101.6 mm (4 in.) of forms may stack on the table behind the printer without decreasing the ability of the forms to stack correctly.	
2. The forms do not stack correctly in the output rack on the table.	Solution: Check for obstructions to the forms path (cables, cords, or other items). If you find an obstruction, remove or relocate it.
3. The forms do not meet specifications.	Solution: The forms may be outside nominal specifications. See "Paper Specifications" on page 97.
4. The forms contain excessive moisture.	Solution: Store the forms in a cool, dry place before using them or leave in the printer for 24 hours.
Note: Forms stack best when the forms are 203.2 to 304.8 mm (8 to 12 in.) long. If the forms length is outside this range, operator assistance may be needed	
5. Forms are too dry.	Solution: Condition the forms for 24 hours or more at the manufacturer recommended temperature and humidity settings.
Problem: Characters are off registration	
1. The first print position is adjusted incorrectly.	Solution: Check your settings for the "Left Margin" on page 72, "Horizontal Character Tuning" on page 75, and "Vertical Character Tuning" on page 76.

Print quality and ribbon problems

Problem: Unreadable characters	
1. The ribbon is dry or worn.	Solution: Check the ribbon and replace it if it is dry or worn.
2. The Automatic Gap Adjustment (AGA) setting for the paper source you are using needs to be decreased. Paper must be loaded for this adjustment to be effective.	Solution: See "Adjusting the Distance of the Print Head" on page 75.
3. Poor-quality multiple-part forms.	Solution: Try new forms or select another print quality. See "Quality Print Mode Selection" on page 68.
4. Forms thickness exceeds forms specifications.	Solution: See "Paper Specifications" on page 97.
Problem: Missing dots or irregular characters	
1. The ribbon is worn.	Solution: Check the ribbon for wear; replace it if necessary.
2. The ribbon is twisted or folded.	Solution: Straighten the ribbon.
3. The Automatic Gap Adjustment (AGA) setting for the paper source you are using needs to be changed. Paper must be loaded for this adjustment to be effective.	Solution: See "Adjusting the Distance of the Print Head" on page 75.
Problem: Ribbon smudging forms	
 <p>CAUTION: <2-25> High temperature; switch off the printer and allow at least 20 minutes for parts in this area to cool before handling.</p>	
1. The ribbon is twisted or folded.	Solution: Try moving the printhead back and forth while turning the ribbon advance knob. If the ribbon advance knob does not turn, replace the ribbon.
2. The Automatic Gap Adjustment (AGA) setting for the paper source you are using needs to be increased. Paper must be loaded for this adjustment to be effective.	Solution: See "Adjusting the Distance of the Print Head" on page 75.

3. The ribbon cartridge is defective	Solution: Replace the ribbon cartridge.
4. A new ribbon is over-inked.	Solution: Replace the ribbon.
Problem: Printing is too light or partial characters print	
1. The Automatic Gap Adjustment (AGA) setting for the paper source you are using needs to be changed. Paper must be loaded for this adjustment to be effective	Solution: See "Adjusting the Distance of the Print Head" on page 75.
2. The ribbon guide is seated incorrectly or the cartridge is not snapped into place.	Solution: Remove the ribbon and reinstall it.
Problem: Ribbon snagging, tearing, or not moving	
1. The ribbon is worn	Solution: Replace the ribbon cartridge.
2. The ribbon cartridge is not properly installed	Solution: Remove and then reinstall the same ribbon.

Configuration problems

Problem: Printer doesn't print or prints wrong characters	
1. Nothing is printed or the wrong characters print.	Solution: <ul style="list-style-type: none"> - Ensure the printer cable is attached to the host. - Check the printer configuration settings.

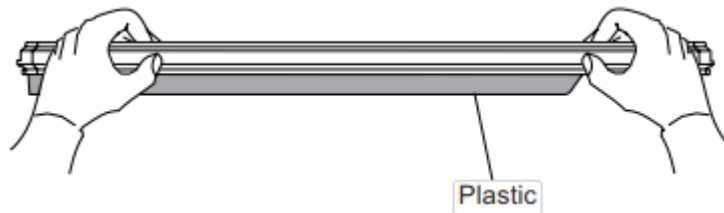
Miscellaneous problems

Problem: Printer has no power	
1. The power cord is not connected.	Solution: Ensure the power cord is plug into the back of the printer and also into the wall outlet.
Problem: Throughput of printer at half speed	
1. The Quiet Print function is set to ON.	Solution: Set Quiet Print to OFF. See "Quiet Printing" on page 75.

Clearing Forms Jams

Use the following procedure to clear forms jams from the printer

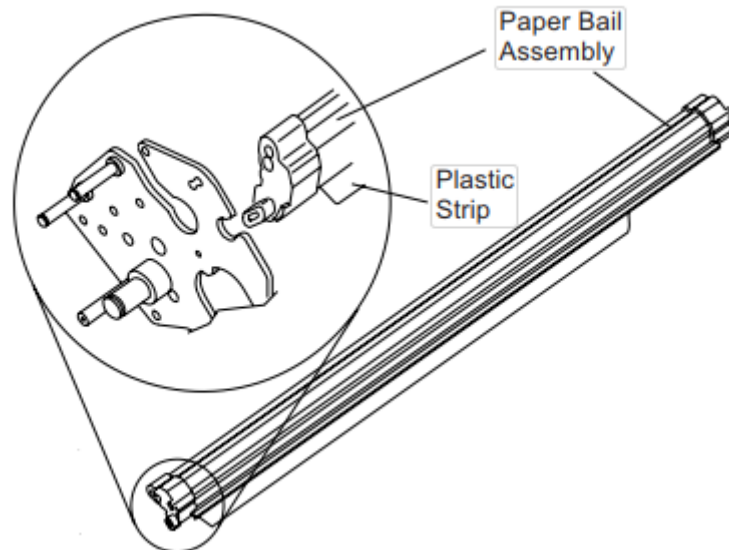
1. Open the top cover
2. Tear off the forms at perforations before it enters the printer and after it exits the printer.
3. Open the tractor doors and remove forms from the tractors.
4. Try to move the printhead off of the form and to the far right. Do not force it.
5. Remove jammed forms by pulling in the direction of printing.
6. If the jam cannot be removed, lightly pull the form in the opposite direction.
7. If the jam still cannot be removed, remove the paper bail assembly:
 - a. Remove the ribbon cartridge.
 - b. Grip the bail assembly and rotate it toward the front of the printer until the pivot posts on the sides disengage from the printer frame.
 - c. Lift the bail assembly out of the printer and set it aside.
 - d. Remove jammed forms by pulling in the direction of printing
8. If you removed the paper bail assembly in the previous step, reinstall it, as follows:
 - a. Grip the bail assembly as shown in the following illustration.



Important!

To avoid damaging the plastic, ensure the plastic points down.

- b. Insert the left and right paper bail end cap pivots into the side frames as indicated in the figure below



- c. Rotate the paper bail assembly toward the back of the printer, closing it as far as it will go.
 - d. Reinstall the ribbon cartridge
9. Reload the forms.

Options

The IPDS Controller Board

The S828 IPDS printer's interface available configurations are:

- Controller board with serial, parallel and USB interfaces
- Controller board with LAN and parallel interfaces.

The original configuration may be modified by ordering the controller board with the desired interfaces and replacing the existing board with it.

Installing the Controller Board

Follow the reported instruction in case of Controller Board replacement.

Handling the Controller Board

Attention: Do not remove the Controller Board from the protective package until instructed to do so. Static electricity, though harmless to you, can damage sensitive Controller Board components. Use the information in this section to avoid damaging a Controller Board.

- Limit your movement. Your movement can create static electricity that, when released to the Controller Board, can damage the electronic components on the Controller Board. Sliding your foot across carpeting is an example of how you create unwanted static electricity.
- Handle the Controller Board only by the edges and prevent others from making direct contact with it.
- Before removing the Controller Board from the protective package, ground the package to exposed metal at the back of the printer. This will release any static charge that may have developed on the package or on your body. Hold the package against the metal for at least two seconds.
- When you are instructed, remove the Controller Board and install it directly into the Controller Board slot without setting it down. If you have removed the Controller Board from the protective package and cannot immediately insert it in the printer, place the protective package on a flat surface, and set the Controller Board on top of the protective package.

Replacing the Controller Board

Attention: Ensure that the printer is powered off before installing or removing the Controller Board.

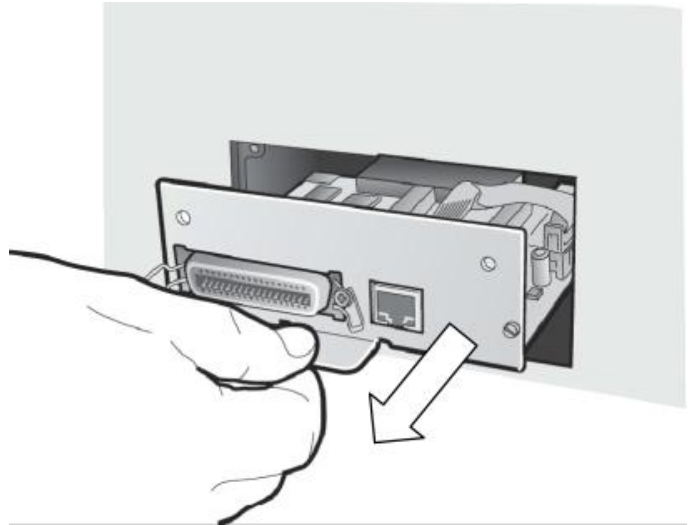
If the Controller Board is installed while the printer is powered on, the controller will not synchronize with the printer mechanism board.

Unpredictable printer behavior will result.

Perform the following steps to replace the Controller Board:

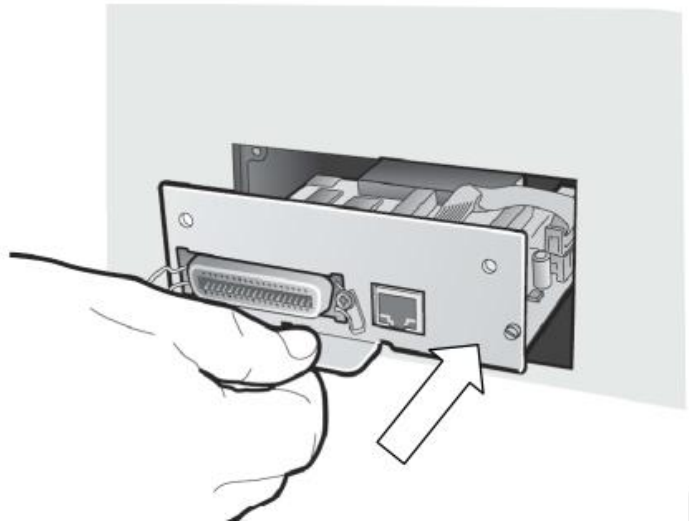
1. Ensure that the printer is powered off. Installing the Controller Board with the printer power on will result in unpredictable printer behavior.
2. Use the screwdriver that came in the Controller Board box to remove the existing Controller Board and pull out the card.

3. Use the information under "Handling the Controller Board" on the preceding page as you remove the Controller Board from its shipping box and from the protective package.
4. Align the left and right sides of the Controller Board with the guides in the printer and slide it into the slot.



2. Use the information under "Handling the Controller Board" on the preceding page as you remove the Controller Board from its shipping box and from the protective package.
3. Align the left and right sides of the Controller Board with the guides in the printer and slide it into the slot.

4. Gently push the Controller Board into the printer until it is seated in the connector inside the printer.
The Controller Board is correctly seated in the printer when the Controller Board metal plate is aligned with the back profile of the slot.



6. Attach the Controller Board with the two screws using a little coin or a flat screwdriver.



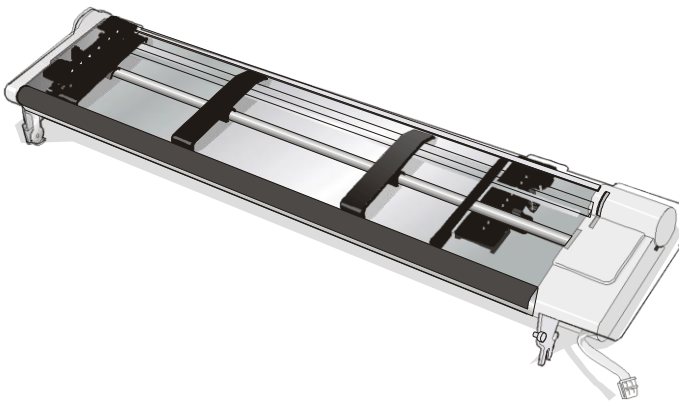
The Front2 Push Tractor

The 6 pin Front2 Push Tractor with paper jam sensor is available for the S828 printer.

An optional second front push tractor can be installed on the printer model. This tractor allows the handling of a second fanfold paper.

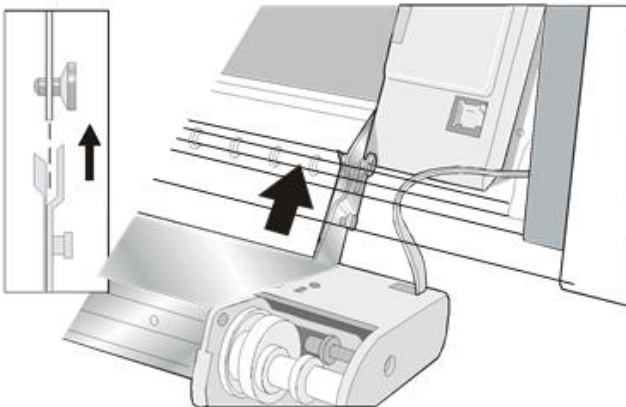
Installing the Front2 Push Tractor

This second push tractor can be installed in front position on the Front1 Push tractor.

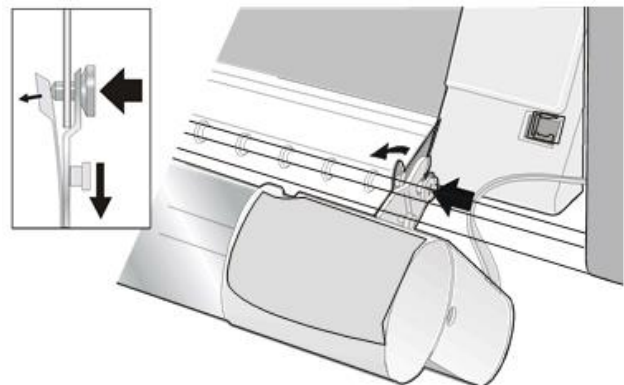


6 pin Front2 Push Tractor option

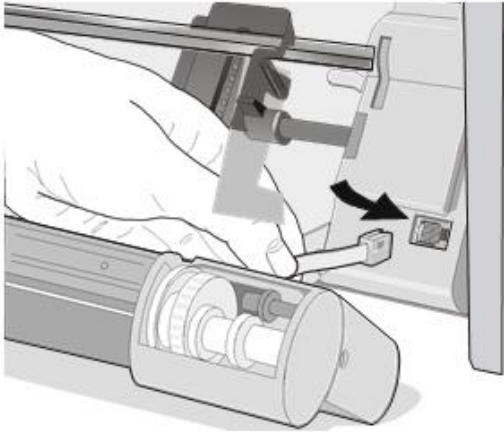
1. Align the hooks on both sides of the Front2 push tractor with the pins on the Front1 push tractor



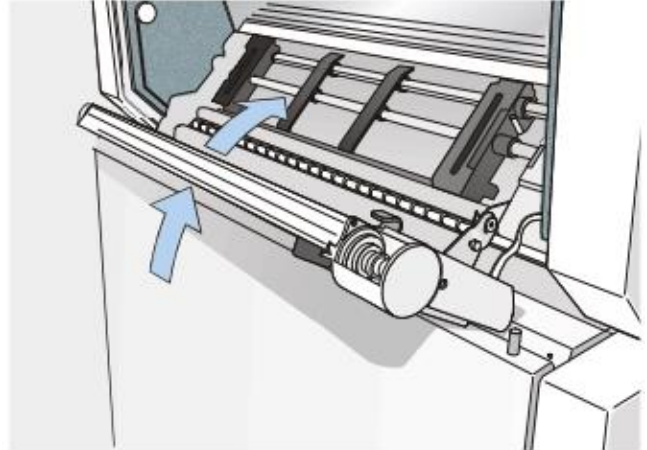
2. Push the Front2 tractor until it is fully engaged



3. Insert the connector cable in the electrical connector located in the lower push tractor

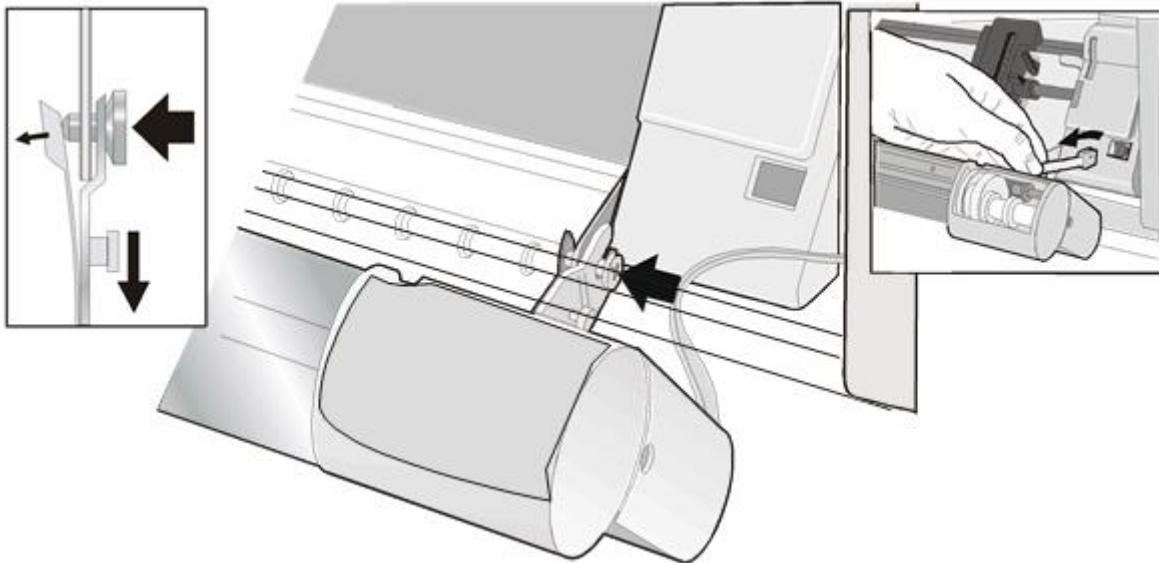


4. Rotate the Front2 push tractor onto the Front1 push tractor.



Removing the Front2 Push Tractor

If you need to remove the upper push tractor, turn the printer off. Disconnect the connector cable and press on the push buttons to disengage the Front2 push tractor



Loading Paper Using the Front2 Push Tractor (option)

- To select the Front2 push tractor paper path press the PATH key until the display shows:

LOAD FRONT2

- If you have been using a different path, the display shows:

PATH CHANGING

- If you have been using fanfold paper in the Front1 push tractor paper path, the printer automatically starts the parking procedure. The display shows alternately.

TEAR IF NECESS.

and

PARK PAPER

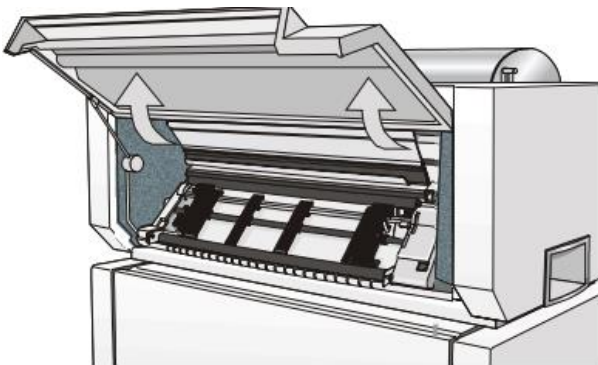
- Tear off the fanfold loaded with the Front1 push tractor (if it is longer than 18 inches) and press the PARK key. The display shows:

PARKING

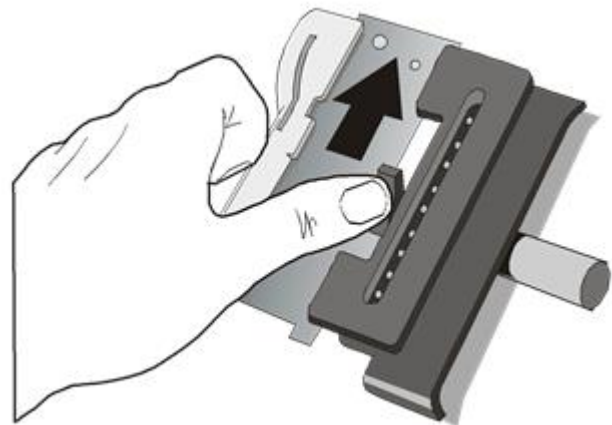
followed by

LOAD FRONT2

- Open the Push tractors cover turning it upwards and lay it on the top of the printer

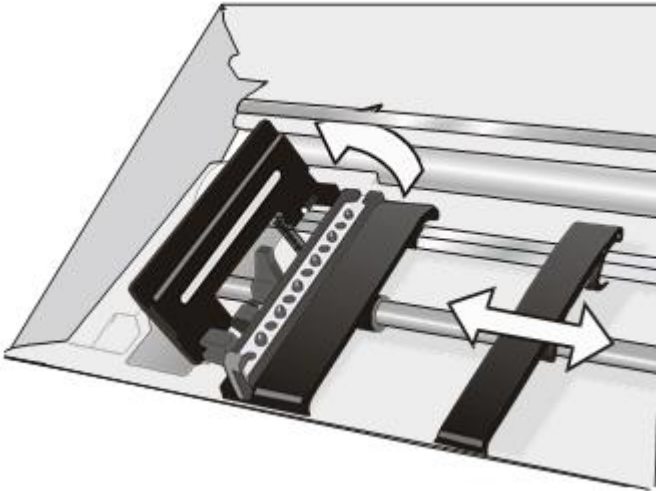


- Unlock the Front2 push tractor sprockets moving the sprocket levers up

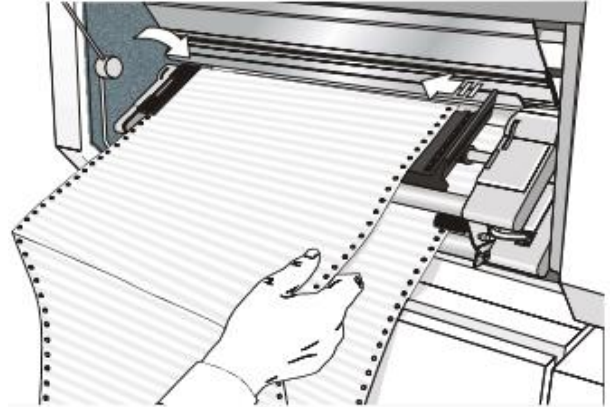


Note: in some version the sprocket levers work in opposite way instead of the same way as the indicated in the figures

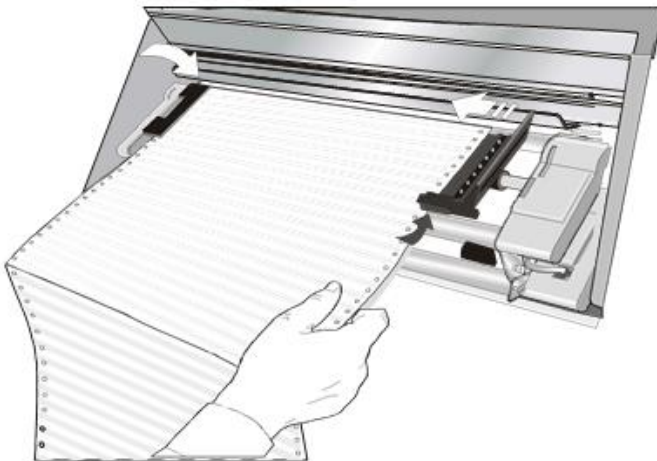
4. Space the paper guides along the tractor bar. Open the sprocket covers of the left and right sprocket



5. Hold the fanfold paper in front of the sprockets and insert the paper perforation on the left sprocket pins and close the sprocket cover. Insert the paper on the right sprocket pins and close the sprocket cover.

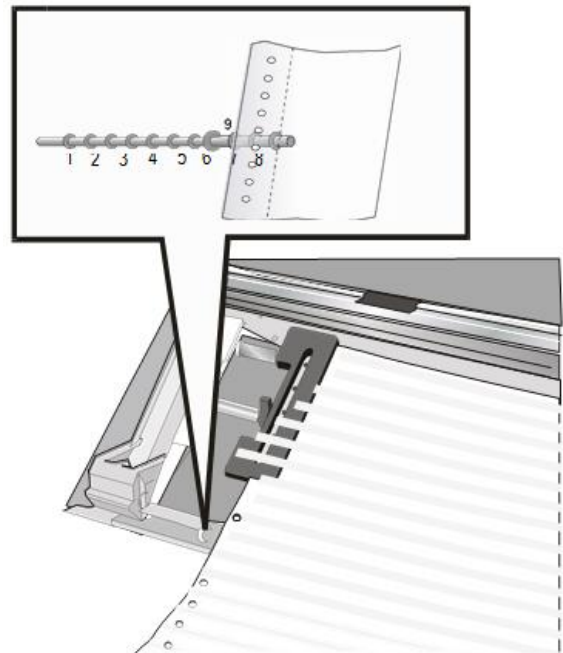


6. If you are using the 6 pin Front2 push tractor option, make sure the paper goes under the paper sensor and close the sprocket cover.

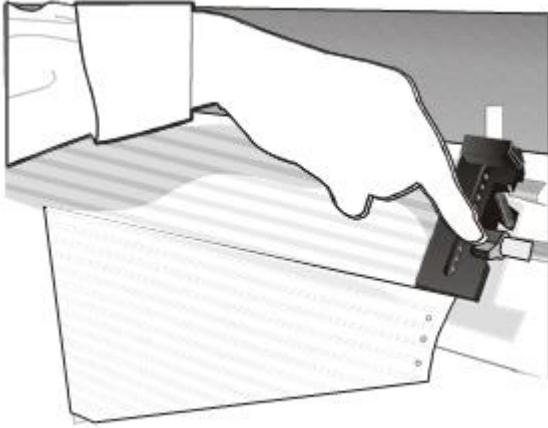


7. Position the left sprocket for printing, matching the left paper margin with the ninth notch on the printer cabinet and lock it in place

Note: Aligning the left-hand edge of the paper past the 22nd spacer on the printer cabinet will cause the paper to be misaligned with the Paper Load Sensor resulting in a LoadForms' error.



- Adjust gently the right sprocket to remove slack from the paper. Lock the Front2 tractor sprockets moving the sprocket levers down.

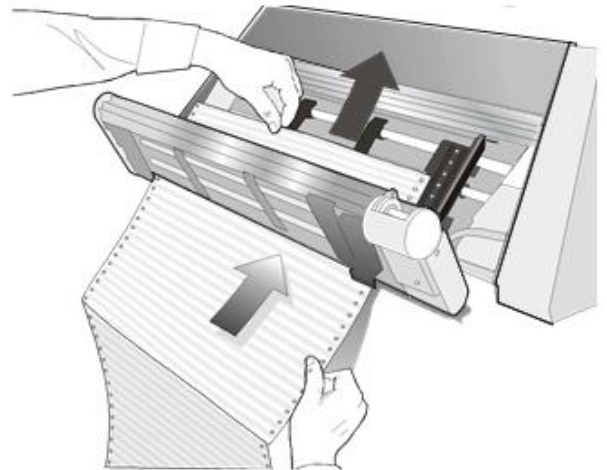


- Close the Push tractors cover. Press the LOAD/FF key to load the paper into the printer.

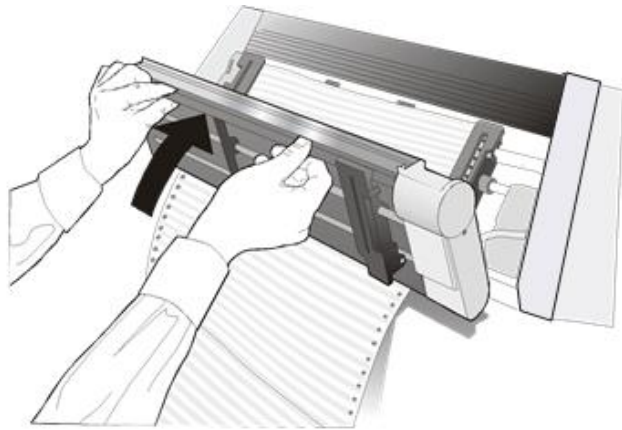
Loading Paper Using the Front1 Push Tractor when the Front2 Push Tractor (Option) is Installed

When the Front2 push tractor option is installed and you need to load paper on the Front1 push tractor follow this paper loading procedure:

- Open the Push tractors cover turning it upwards and lay it on the top of the printer. Rotate the Front2 push tractor option outside the printer.
- Insert the fanfold paper between the Front1 and Front2 push tractor, then proceed to load the paper as described in the section "Loading Paper Using the Front1 Push Tractor".



3. When the fanfold paper has been loaded on the Front1 push tractor, reposition the Front2 push tractor in its initial position before closing the Push tractors cover



The Enclosed Pedestal and Printer Stand

For better paper handling, use the available Closed Floor printer pedestal option. The pedestal is shipped as a kit is a safety carton box. The instructions how to install it are inside the box.



Printer Specifications

Printing Characteristics

Print Head					
Matrix		18 pins - 0.28 mm			
Print Speed (cps)					
CPI	Draft	Best Draft	NLQ		
10	800	480	232		
12	960	576	278		
15	1200	720	348		
Throughput Mode (ECMA132)					
		Print Mode	Speed		
Pages per Hour		Draft-High Speed Draft	630		
		Spreadsheet 10CPI	435		
Lines per minute @10 cpi		40 characters/line	450		
		80 characters/line	330		
		136 characters/line	250		
Print Matrix (horizontal x vertical)					
CPI	Draft			Quality	
Print Mode	High Speed	Normal		DP Text	NLQ
10	9 x 9	9x12		9x20	18x20
12	-	9x10		9x20	18x20
15		9x10		9x20	18x20
17.1		9x12		9x20	18x20
20		9x12		9x20	18x20
Line length (number of characters)					
10 cpi	12 cpi	15 cpi	17.1 cpi	20 cpi	
136	163	204	233	272	
Horizontal Spacing					
10, 12, 15, 16.7, 17.1, 20 CPI & Proportional					
10, 12, 15, 16.7 for IPDS model					
Vertical Spacing					
6, 8, 12 lpi					
3, 4, 6, 8, 12 lines/30 mm					
n/72, n/144, n/216 per inch					
Print Style					
Draft - Courier - OCR B - Gothic - OCR A					
Print Attributes					
Sub-superscript, Underline, Overscore, Italics, Emphasized, Double Strike, Shadow, Enlarged ,Compressed					
Graphic Resolution (dots per inch)					
horizontal	60, 72, 80, 90, 120, 144, 240,				
vertical	72, 144				

Characters Sets	
Standard PC IBM Character Sets	CS1 and CS2
EPSON National Variations	USA, France, Germany, United Kingdom, Denmark-1, Sweden, Italy, Japan, Spain-1, Norway, Denmark-2, Spain-2, Latin America
IBM and EPSON Character Sets	USA (CP437), Greek (CP437-G), Slavic (CP437SL), Multilingual (CP850), Greek (CP851), Eastern Europe (CP852), Turkish (CP 853), Cyrillic (CP855), Turkish (CP857), Euro PC Multilingual (CP858), Portugal (CP860), Hebrew (CP862), Canada/France (CP863), Arabic (CP864), Denmark/Norway (CP865), Russian (CP866), Turkish2 (CP867), OCR-A (CP876), OCR-B (CP877), Farsi (CP1098), Latin 2 Windows (CP1250), Cyrillic Windows (CP1251), Latin 1 Windows (CP1252), Greek Windows (CP1253), Turkish Windows (CP1254), Hebrew Windows (CP1255), Arabic Windows (CP1256), Baltic Windows (CP1257), 96 GREEK, GOST, TASS, MAZOWIA, UKRANIAM, KOI8-U, FARS11, FARS12
ISO Character Sets	8859/1 (Latin1), 8859/2 (Latin2), 8859/3 (Latin3), 8859/4 (Latin4), 8859/5 (Latin/Cyrillic), 8859/6 (Latin/Arabic), 8859/7 (Latin/Greek), 8859/8, (Latin/Hebrew), 8859/9 (Latin5). 8859/15 (Latin9)
Bar Codes	
UPC-A, UPC-E, EAN-8, EAN-13, UPC-EAN 2, UPC-EAN 5, Code GP, MSI Plessey, Code BCD, C2/5-3 BAR, Code 39, Code 128, Code 11, Code 93, Codabar, 2/5 Bidirectional, 2/5 Interleaved, 2/5 Industrial, 2/5 Matrix, Postnet	
Emulations	
EPSON FX Series	
IBM Proprinter XLIII	
IBM Personal Printer 2381+	
ANSI 3.64	
IPDS (optional)	
Drivers and Software	
Drivers	Win10 (32/64), Win8 (32/64), Win7 (32/64), WinNT, 98_ME, 2000-WinXP, Win2003 (32/64), WinServer2008 (32/64), Vista
Software	RPMU for Remote Printer Management
Standard Functions	
Automatic print head gap adjustment (AGA)	
Automatic paper path switching via operator panel or S/W commands	
Paper parking	
Plug & Play capability	
Bar Code printing	
Automatic fanfold positioning for tear-off, selectable time-out	
Setting and storage of paper format and print conditions for each paper path in the non volatile memory	
Printing of the macro characters using the Printronix native commands	
Base Configuration	
FRONT1 PUSH TRACTOR (6 pin)	
Fanfold Width:	76 to 432 mm (3 to 17 inches)
Copies:	1 original + 7 copies
Thickness	Max. 0,635 mm (0.025 inches)
Optional Configuration	
FRONT2 PUSH TRACTOR (6 pin)	
Fanfold Width:	76 to 432 mm (3 to 17 inches)
Copies:	1 original + 7 copies
Thickness	Max. 0,635 mm (0.025 inches)

Physical and Electrical Characteristics				
Interfaces with Automatic interface switching				
Parallel	Centronics Compatible Bi-directional (IEEE-1284) nibble and byte modes - 36 pin Amphenol connector, 7/8 data bits Receive Buffer: max. 128 Kbytes			
Serial	RS-232/C - dB 9 connector, Baud Rate: 300 to 115200 bps, 7/8 data bits, DTR & XonXoff flow, Receive Buffer: max. 128 Kbytes			
USB	Type B USB 2.0 Compatible Bi-directional - 4 pin connector, 12Mbit/s			
LAN	10BASE-T – 100BASE-TX – RJ45 8 pin connector			
LAN-IPDS				
Reliability				
MTBF	Mean Time between failure: 20,000 hours at 25% DC			
MTTR	Mean Time To Repair: 30 minutes			
Workload	57000 pages/month (ECMA 132 - 4 hours for 22 days)			
Printer Life	5 years			
Print Head Life	800 MChrs			
Power Supply				
UNIVERSAL	From 90 to 244 VAC			
Power Output	Max. 154 W			
Power Consumption Standby	Model type S809: 30W			
	Model type S809+: <7 W			
Power Consumption Printing	120 W			
Noise Level				
< 54 dBA				
Environment Conditions				
	Temperature		Relative Humidity	
Storage Conditions	-40° to 50° C		10% to 90% RH (not condensing)	
Operating Conditions	10° to 38° C		10% to 90% RH (not condensing)	
Paper Conditions	16° to 24° C		40% to 60% RH (not condensing)	
Physical dimensions (mm/inch) and Weight (Kg/Lbs)				
	Printer only (closed)	Printer Only (front cover open)	Printer on Stand (closed)	Printer on Stand (front cover open)
Width	730/28,74	730/28,74	730/28,74	730/28,74
Height	350/13,78	450/17,72	1120/44,10	1220/48,03
Length "depth"	450/17,72	650/25,59	780/30,7	820/32,28
Weight	33		79	
Basic Printer				
S828, EU	p.n. 260052-001			
S828, AM	p.n. 260052-002			
Consumables				
1 x Black ribbon cartridge (25 million chs.)	p.n. 260059-001			
6 x Black ribbon cartridge (25 million chs.)	p.n. 260059-002			
Options				
IPDS Module Kit	p.n. 260055-001			
Additional 6 pin Front2 Push Tractor	p.n. 260056-001			
Closed Floor Pedestal	p.n. 260057-001			
Standards				
IEC 60950-1:2005, EN 60950-1:2005, EN55022, CISPR22, EN55024, EN61000-3-2 , EN61000-3-3, EN27779				

Customer Support

Printronix Customer Support Center

IMPORTANT

Please have the following information available prior to calling the Printronix Customer Support Center:

- Model number
- Serial number (located on the back of the printer)
- Installed options (i.e., interface and host type if applicable to the problem)
- Configuration printout:

Press the ON LINE key to take the printer OFF LINE		
Press the PROGRAM key	PRINT OUT? NO	Is displayed
Press the → key	PRINT OUT? YES	The PROGRAM SETUP PRINTOUT is printed
Press the ↓ key until	PRINT STATS? NO	Is displayed
Press the → key	PRINT OUT? YES	The USAGE STATISTICS DATA PRINTOUT is printed
Press the ↓ key until	CONFIG MENU NO	Is displayed
Press the → key to display	CONFIG MENU YES	
Press the ↓ key	PRINT OUT? NO	Is displayed
Press the → key	PRINT OUT? YES	The CONFIGURATION SETUP PRINTOUT is printed
Press the PROGRAM key		
Press the TEAR key and tear off the printout at the perforation		

- Is the problem with a new install or an existing printer?
- Description of the problem (be specific)
- Good and bad samples that clearly show the problem (faxing or emailing these samples may be required)

Americas	(714) 368-2686
Europe, Middle East, and Africa	(31) 24 6489 311
Asia Pacific	(65) 6548 4114
China	(86) 800-999-6836

<http://www.primtronix.com/support.aspx>

Printronic Supplies Department

Contact the Printronix Supplies Department for genuine Printronix supplies.

Americas	(800) 733-1900
Europe, Middle East, and Africa	(33) 1 46 25 19 07
Asia Pacific	(65) 6548 4100
China	(86) 400-886-5598

<http://www.primtronix.com/supplies-parts.aspx>

Corporate Offices

Printronix, LLC.
6440 Oak Canyon Rd, Suite 200
Irvine, CA 92618
U.S.A.
Phone: (714) 368-2300
Fax: (714) 368-2600

Printronix Inc.
c/o Printronix Nederland BV
Bijsterhuizen 11-38
6546 AS Nijmegen
The Netherlands
Phone: (31) 24 6489489
Fax: (31) 24 6489499

Printronix Schweiz GmbH
3Changi Business Park Vista
#04-05 AkzoNobelHouse
Singapore 486051
Phone: (65) 6548 4100
Fax: (65) 6548 4111

Printronix Commercial (Shanghai) Co. Ltd
Room 903, 9thFloor
No. 199, North Xizang Road
200070 Shanghai P.R. China
Phone: (86) 400 886 5598
Fax: (8621) 61171256

Printronix India PvtLtd
B-808/809, BSEL Tech Park 8thFloor, Sector 30A
VashaiNaviMumbai 400705 India
Toll Free No.: 1800 102 7896 Fax: (9211) 4158 5555

Visit the Printronix web site at www.primtronix.com

SPECIFICATIONS ARE SUBJECT TO CHANGE WITHOUT NOTICE.
This manual refers to various company and products by their trade names.
In most of the cases, these designations are claimed as trademarks or
registered trademarks by their respective companies.

Copyright 2019 PRINTRONIX s.r.l. - Printed in Italy

260067-001B