

PRINTRONIX® PSA3

*P7000 H-Series Cartridge Ribbon Printer
User's Manual*



READ THIS SOFTWARE LICENSE AGREEMENT BEFORE USING THIS PRINTER

Software License Agreement

CAREFULLY READ THE FOLLOWING TERMS AND CONDITIONS BEFORE USING THIS PRINTER. USING THIS PRINTER INDICATES YOUR ACCEPTANCE OF THESE TERMS AND CONDITIONS. IF YOU DO NOT AGREE TO THESE TERMS AND CONDITIONS, PROMPTLY RETURN THE PRINTER AND ALL ACCOMPANYING HARDWARE AND WRITTEN MATERIALS TO THE PLACE YOU OBTAINED THEM, AND YOUR MONEY WILL BE REFUNDED.

Definitions.

"Software" shall mean the digitally encoded, machine-readable data and program. The term "Software Product" includes the Software resident in the printer and its documentation. The Software Product is licensed (not sold) to you, and Printronix, Inc. either owns or licenses from other vendors who own, all copyright, trade secret, patent and other proprietary rights in the Software Product.

License.

1. Authorized Use. You agree to accept a non-exclusive license to use the Software resident in the printer solely for your own customary business or personal purposes.
2. Restrictions.
 - a. To protect the proprietary rights of Printronix, Inc., you agree to maintain the Software Product and other proprietary information concerning the typefaces in strict confidence.
 - b. You agree not to duplicate or copy the Software Product.
 - c. You shall not sublicense, sell, lease, or otherwise transfer all or any portion of the Software Product separate from the printer, without the prior written consent of Printronix, Inc.
 - d. You may not modify or prepare derivative works of the Software Product.
 - e. You may not transmit the Software Product over a network, by telephone, or electronically using any means; or reverse engineer, decompile or disassemble the Software.
 - f. You agree to keep confidential and use your best efforts to prevent and protect the contents of the Software Product from unauthorized disclosure or use.
3. Transfer. You may transfer the Software Product with the printer, but only if the recipient agrees to accept the terms and conditions of this Agreement. Your license is automatically terminated if you transfer the Software Product and printer.

Limited Software Product Warranty

Printronix, Inc. warrants that for ninety (90) days after delivery, the Software will perform in accordance with specifications published by Printronix, Inc. Printronix, Inc. does not warrant that the Software is free from all bugs, errors and omissions.

Remedy

Your exclusive remedy and the sole liability of Printronix, Inc. in connection with the Software is replacement of defective software with a copy of the same version and revision level.

Disclaimer of Warranties and Limitation of Remedies

1. THE PARTIES AGREE THAT ALL OTHER WARRANTIES, EXPRESS OR IMPLIED, INCLUDING WARRANTIES OF FITNESS FOR A PARTICULAR PURPOSE AND MERCHANTABILITY ARE EXCLUDED. Printronix, Inc. does not warrant that the functions contained in the Software will meet your requirements or that the operation of the Software will be uninterrupted or error free. Printronix, Inc. reserves the right to make changes and/or improvements in the Software without notice at any time.
2. IN NO EVENT WILL PRINTRONIX, INC. BE LIABLE FOR LOST PROFITS, LOST DATA, BUSINESS INTERRUPTIONS, OR ANY OTHER DIRECT, INDIRECT, INCIDENTAL OR CONSEQUENTIAL DAMAGES ARISING OUT OF THE USE OF OR INABILITY TO USE THIS PRODUCT, EVEN IF PRINTRONIX, INC. HAS BEEN ADVISED OF THE POSSIBILITY OF SUCH DAMAGES, OR ANY DAMAGES CAUSED BY THE ABUSE OR MANIPULATION OF THE SOFTWARE. SOME STATES DO NOT ALLOW THE EXCLUSION OR LIMITATION OF LIABILITY FOR CONSEQUENTIAL OR INCIDENTAL DAMAGES, SO THE ABOVE LIMITATION MAY NOT APPLY TO YOU.
3. Printronix, Inc. will not be liable for any loss or damage caused by delay in furnishing a Software Product or any other performance under this Agreement.
4. Our entire liability and your exclusive remedies for our liability of any kind (including liability for negligence except liability for personal injury caused solely by our negligence) for the Software Product covered by this Agreement and all other performance or nonperformance by us under or related to this Agreement are limited to the remedies specified by this Agreement.
5. California law governs this Agreement.

Termination of License Agreement

This License shall continue until terminated. This license may be terminated by agreement between you and Printronix, Inc. or by Printronix, Inc. If you fail to comply with the terms of this License and such failure is not corrected within thirty (30) days after notice. When this License is terminated, you shall return to the place you obtained them, the printer and all copies of the Software and documentation.

U.S. Government Restricted Rights

Use, duplication or disclosure by the Government is subject to restrictions as set forth in the Rights in Technical Data and Computer Software clause at FAR 242.227-7013, subdivision (b) (3) (ii) or subparagraph (c) (1) (ii), as appropriate. Further use, duplication or disclosure is subject to restrictions applicable to restricted rights software as set forth in FAR 52.227-19 (c) (2).

Acknowledgement of Terms and Conditions

YOU ACKNOWLEDGE THAT YOU HAVE READ THIS AGREEMENT, UNDERSTAND IT, AND AGREE TO BE BOUND BY ITS TERMS AND CONDITIONS. NEITHER PARTY SHALL BE BOUND BY ANY STATEMENT OR REPRESENTATION NOT CONTAINED IN THIS AGREEMENT. NO CHANGE IN THIS AGREEMENT IS EFFECTIVE UNLESS WRITTEN AND SIGNED BY PROPERLY AUTHORIZED REPRESENTATIVES OF EACH PARTY. BY USING THIS PRINTER, YOU AGREE TO ACCEPT THE TERMS AND CONDITIONS OF THIS AGREEMENT.

User's Manual

P7000 H-Series Cartridge Ribbon Printer

PRINTRONIX® **PSA3**

This document contains proprietary information protected by copyright. No part of this document may be reproduced, copied, translated, or incorporated in any other material in any form or by any means, whether manual, graphic, electronic, mechanical, or otherwise, without the prior written consent of Printronix.

Printronix makes no representations or warranties of any kind regarding this material, including, but not limited to, implied warranties of merchantability and fitness for a particular purpose. Printronix shall not be held responsible for errors contained herein or any omissions from this material or for any damages, whether direct or indirect, incidental or consequential, in connection with the furnishing, distribution, performance, or use of this material. The information in this manual is subject to change without notice.

COPYRIGHT 2005, 2012 PRINTRONIX, INC.

Trademark Acknowledgements

IBM, AS/400, and Proprinter are registered trademarks, and Intelligent Printer Data Stream and IPDS are trademarks of International Business Machines Corporation.

Printronix, PGL, LinePrinter Plus, and IGP are registered trademarks, and P7005, P7010, P7015, P7205, P7210, P7215, P7220, and SureStak are trademarks of Printronix, Inc.

ANSI is a registered trademark of the American National Standards Institute, Inc.

Centronics is a registered trademark of Genicom Corporation.

CSA is a registered certification mark of the Canadian Standards Association.

Dataproducts is a registered trademark of Dataproducts Corporation.

EIA is a registered service mark of the Electronic Industries Association.

Epson is a registered trademark of Seiko Epson Corporation.

Ethernet is a trademark of Xerox Corporation.

IEEE is a registered service mark of the Institute of Electrical and Electronics Engineers, Inc.

QMS is a registered trademark, and Code V is a trademark of Quality Micro Systems, Inc.

TUV is a registered certification mark of TUV Rheinland of North America, Inc.

UL is a registered certification mark of Underwriters Laboratories, Inc.

ENERGY STAR is a registered trademark of the United States Environmental Protection Agency. As an ENERGY STAR® Partner, Printronix has determined that this product meets the ENERGY STAR guidelines for energy efficiency.



Table of Contents

1	Introduction	9
	Printer Overview	9
	Printronix P7000 H-Series Printers	9
	Conventions In This Manual	11
	Warnings And Special Information	11
	Related Documents	12
	Taking Care Of Your Printer	12
	Protocols And Emulations.....	12
2	Setting Up The Printer	13
	Before You Begin.....	13
	Power Requirements	13
	Select A Site	13
	Printer Dimensions	14
	Printer Component Locations	17
3	Operating The Printer	19
	Powering On The Printer	19
	Operating Modes	19
	The Control Panel.....	20
	Control Panel Keys	20
	Cancel A Print Job	23
	Operational Procedures.....	24
	Reload Paper	24
	Unload Paper	33
	Integrated Print Management System	36
	Output Darkness	36
	Loading a Used Ribbon Cartridge	37
	Lighter Or Darker Print	37
	Changing Ribbon Cartridge.....	38

4	The Configuration Menus	41
	Configuration Overview	41
	Changing And Saving Parameter Settings.....	41
	Saving Parameter Settings	41
	Default And Custom Configurations	42
	Navigating The Menus	42
	Changing Parameters Example	43
	Auto Save Configuration	46
	Saving Your New Configuration	46
	Optimizing Print Quality.....	51
	Optimizing Print Speed	51
	Main Menu	52
	QUICK SETUP	54
	ZTP SETTINGS.....	58
	CONFIG. CONTROL	58
	HOST INTERFACE	60
	Auto Switching Submenu	61
	Centronics (Parallel) Submenu	63
	Dataproducts Submenu	65
	Serial Submenu.....	68
	IEEE 1284 Parallel (Bidirectional) Submenu.....	74
	E-Net Adapter Submenu	75
	Ethernet Submenu	76
	NETWORK SETUP MENU.....	77
	ADAPTER ADDRESS.....	77
	ADAPTER PARAMS	78
	ETHERNET ADDRESS	81
	ETHERNET PARAMS.....	82
	WLAN ADDRESS	84
	WLAN PARAMS.....	85
	WLAN KERBEROS.....	89
	WLAN LEAP.....	91
	EMULATION.....	92
	Hanzi GB LP+ Emulation	92
	Hanzi Big5 LP+ Emulation	93
	Kanji LP+ Emulation.....	94
	Hangul LP+ Emulation	95
	Page Format Submenu	100
	PRINTER CONTROL	102
	ADVANCED USER.....	104
	DIAGNOSTICS.....	110

DATE	113
Printer MGMT	114
5 Interfaces	115
Overview	115
Centronics Parallel Interface.....	116
Centronics Parallel Interface Signals	117
IEEE 1284 Parallel Interface.....	117
Compatibility Mode.....	117
Nibble Mode	118
Byte Mode	118
Signals	118
Terminating Resistor Configurations.....	121
RS-232 And RS-422 Serial Interfaces	122
RS-232	122
RS-422	123
Dataproducts Parallel Interface	124
Dataproducts Parallel Interface Signals	125
6 Reprogramming the Security Key.....	127
Reprogramming The Security Key.....	127
How To Program The Security Key.....	127
7 Troubleshooting.....	129
Cleaning Requirements	129
Exterior Cleaning.....	129
Interior Cleaning.....	130
Diagnosing Problems.....	132
Bar Code Verification	132
Printing A Hex Dump.....	132
Fault Messages	133
A Printer Specifications	169
Ribbon Cartridge Specifications	169
Paper Specifications	169
Labels	170
Printer Weight And Dimensions.....	170
Environmental Characteristics	170
Acoustic Noise Level	171
Energy Star.....	171

Electrical Characteristics	171
Input Voltage	171
Power Consumption	172
Interfaces	172
Printing Rates	173
B ASCII Character Set	175
C Zero Tear Pedestal	177
Overview	177
Position The Paper Input And Adjust The Paper Guides	178
Load Paper	180
Position The Paper Out Sensor	182
Set The Tear Bar Distance	183
Set The Top Of Form	184
ZTP SETTINGS Menu	185
Performance Limitations	186
D Customer Support	189
Printronix Customer Support Center	189
Printronix Supplies Department	189
Corporate Offices	190
E Communication Notices	191
Notices	191
Energy Star	193
Communication Statements	193
Software License Agreement	198

1

Introduction

Printer Overview

This chapter provides a general overview of your printer and the conventions used within this manual.

Printronix P7000 H-Series Printers

Printronix® has been the global leader in industrial printing solutions for over 30 years, earning a reputation for designing and manufacturing leading edge products and delivering them to market with unsurpassed service and support.

The Printronix P7000™ Line Matrix Printing Platform extends the series of technology innovations that cement Printronix's leadership position. Line matrix printing is Printronix's flagship technology, and it remains the workhorse solution for supply-chain and back-office printing applications because of its reliability, lower cost of ownership and flexibility of printing applications.

- Most reliable printer ever – provides more up time and lower operating costs
- Ultra capacity ribbons – deliver darker image, last longer, and costs less to operate than other print technologies
- Integrated print management system – provides precise control over print quality, print costs, and job planning
- Cabinet or Pedestal styles – best user access and forms handling flexibility
- Unsurpassed ease of use – simplifies operation and enhances productivity

There are three printer configurations:

Enclosed Cabinet (P72XXH)

- The enclosed cabinet models provide for near silent operation, making these printers perfectly suitable for use in the quietest of office environments.
- Provides the best paper handling for large print runs. All paper input and output is contained inside the cabinet and protected from bumping and contamination.
- Highly effective combination of moveable fences and chains allows for precise stacking all the way up to a full box of paper.
- For tougher forms that tend not to refold well, a SureStak power stacker option is available for the enclosed cabinet models.
- Available in four print speeds – 200 line per minute, 300 line per minute, 600 line per minute, and 800 line per minute models.

Pedestal (P70XXH)

- The pedestal model has a clamshell design that allows easy access to all controls providing faster ribbon replacements and easier paper loading
- Oversized casters are standard making movement easy.
- Versatility to configure the paper path for either top or rear exit.
- Using the top paper exit, this printer is ideal for short print runs and easy access to output
- Available in four print speeds – 200 line per minute, 300 line per minute, 600 line per minute, and 800 line per minute models.

Zero Tear Pedestal (P70XXZTH)

- Special push tractor configuration enables printing from the very first to the very last line of a form and then tear-off with no forms lost
- The elimination of wasted forms between jobs can yield significant savings.
- An ideal solution for supply-chain and back-office applications.
- Available in three print speeds – 200 line per minute, 300 line per minute, and 600 line per minute models.

Conventions In This Manual

All uppercase print indicates control panel keys.

Example: Press the CLEAR key, then press the ON LINE key.

Quotation marks (“ ”) indicate messages on the Liquid Crystal Display (LCD).

Example: Press the ON LINE key. “OFFLINE” appears on the LCD.

The + (plus) symbol represents key combinations.

Example: “Press ▲ + ▼” means press the ▲ (UP) key and the ▼ (DOWN) key at the same time.

Warnings And Special Information

Read and comply with all information highlighted under special headings:

WARNING A warning notice calls attention to a condition that could harm you.

WARNUNG

Ein Warhinweis dieser Art weist auf Verletzungsgefahr hin.

AVISO

Las notas de aviso llaman la atención sobre una condición que puede causar lesiones.

ATTENTION

Attire votre attention sur une opération pouvant présenter un danger.

AVVERTENZA

Un’indicazione di avvertenza segnala una condizione di pericolo suscettibile causare lesioni all’operatore.

CAUTION A caution notice calls attention to a condition that could damage the printer.

Related Documents

- *Quick Reference Guide* — Explains how to set up the printer for basic operation (load ribbon cartridge and media, and clear paper jams).
- *Maintenance Manual* — Explains how to maintain and repair the line matrix printer at the field service level of maintenance.
- *Network Interface Card User's Manual* — Information about network protocols, configuration, and operation.
- LQ-1600K Emulation For The P7000 H-Series Of Line Matrix Printers Programmer's Reference Manual — Covers the host control codes for the LQ-1600K emulation.
- KS Programmer's Reference Manual — Covers the host control codes for the KS emulation.
- KSSM Programmer's Reference Manual — Covers the host control codes for the KSSM emulation.

Taking Care Of Your Printer

Your printer will produce high print quality jobs if it is well taken care of. Periodic cleaning, handling the printer properly, and using the correct printer supplies such as paper and ribbons ensures optimum performance. Chapter 7 explains how to clean the printer, and printer supplies are listed in Appendix A.

Protocols And Emulations

A *protocol* is a set of rules governing the exchange of information between the printer and its host computer. These rules consist of codes that manipulate and print data and allow for machine-to-machine communication. A printer and its host computer must use the same protocol. As used in this manual, protocol and emulation mean the same thing.

Most impact printers use single ASCII character codes to print text, numbers, and punctuation marks. Some characters, are defined as control codes. Control codes instruct the printer to perform specific functions, such as underlining text, printing subscripts, setting page margins, etc. The main difference between most printer protocols is in the characters used to create control codes and the ways in which these characters are formatted.

When the printer executes the character and control codes of a particular printer protocol, it is "emulating" that printer.

2

Setting Up The Printer

Before You Begin

Read this chapter carefully before installing and operating the printer. The printer is easy to install. However, for your safety and to protect valuable equipment, perform all the procedures in this chapter in the order presented.

Power Requirements

The printer must be connected to a power outlet that supplies 88 to 270 volts AC. The printer automatically senses and adjusts itself to conform to the correct voltage range.

Primary circuit protection is provided by the power switch, which is also a circuit breaker. Consult an electrician if printer operation affects local electrical lines. See “Electrical Characteristics” on page 171 for additional power specifications.

IMPORTANT Printer power should be supplied from a separate AC circuit protected at 10 amperes for 100 - 120 volts or 5 amperes for 200 - 240 volts at 50 or 60 Hertz.

Select A Site

Select a printer site that meets all of the following requirements:

- Permits complete opening of the printer cover and doors.
- For cabinet models, allows at least three feet of clearance behind the printer. (This permits air to circulate freely around the printer and provides access to the paper stacking area.)
- Has a standard power outlet that supplies 88-135 Volts AC or 178-270 Volts AC power, at 47 to 63 Hz.
- Is relatively dust-free.
- Has a temperature range of 10° C to 40° C (50° F to 104° F) and a relative humidity from 15% to 90% non-condensing.
- Is located within the maximum allowable cable length to the host computer. This distance depends on the type of interface you plan to use, as shown in Table 1 on page 14.

Table 1. Maximum Interface Connection Cable Length

Interface Type	Maximum Cable Length
Centronics Parallel	5 meters (15 feet)
Dataproducts Parallel	12 meters (40 feet)
IEEE 1284 Parallel	10 meters (32 feet)
Serial RS-232	15 meters (50 feet)
Serial RS-422	1220 meters (4000 feet)
Dataproducts Long Line	150 meters (492 feet)
Coax	1500 meters (4920 feet)
Twinax	1500 meters (4920 feet)
Twinax (shielded cable)	1500 meters (4920 feet)
Twisted Pair / Type 3	300 meters (985 feet)
Ethernet 10/100Base-T	100 meters (328 feet)

Printer Dimensions

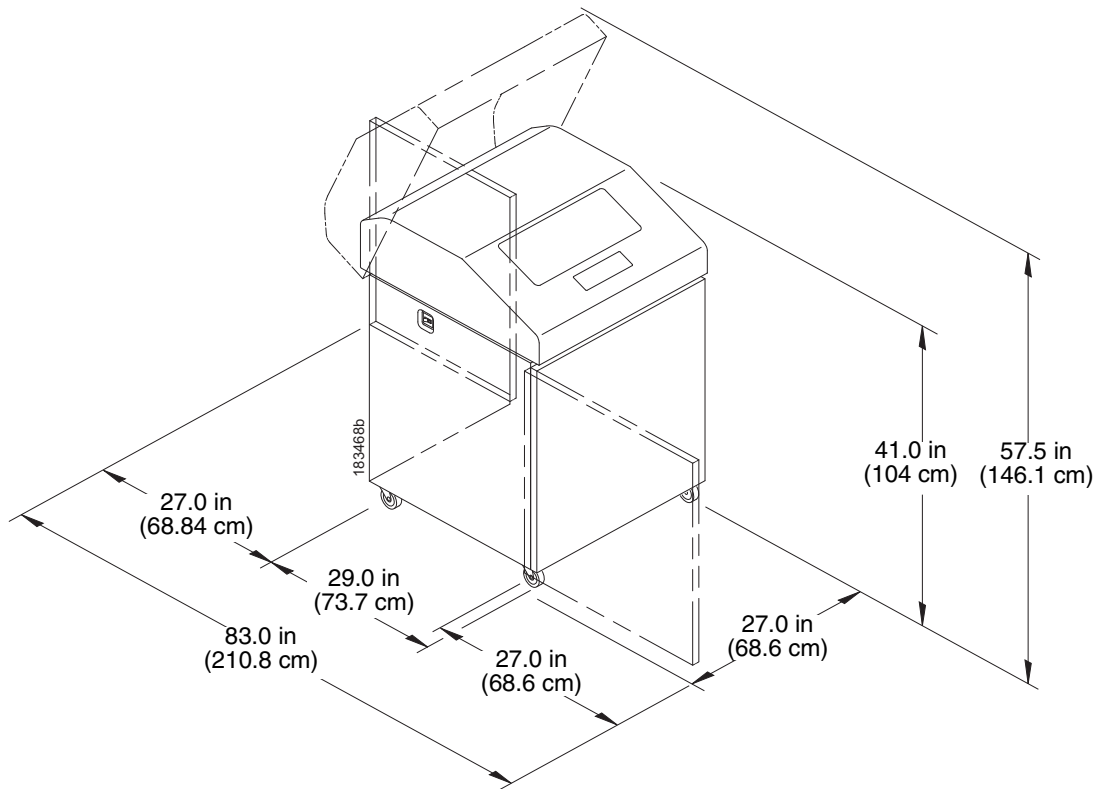


Figure 1. Printer Dimensions - Cabinet Model

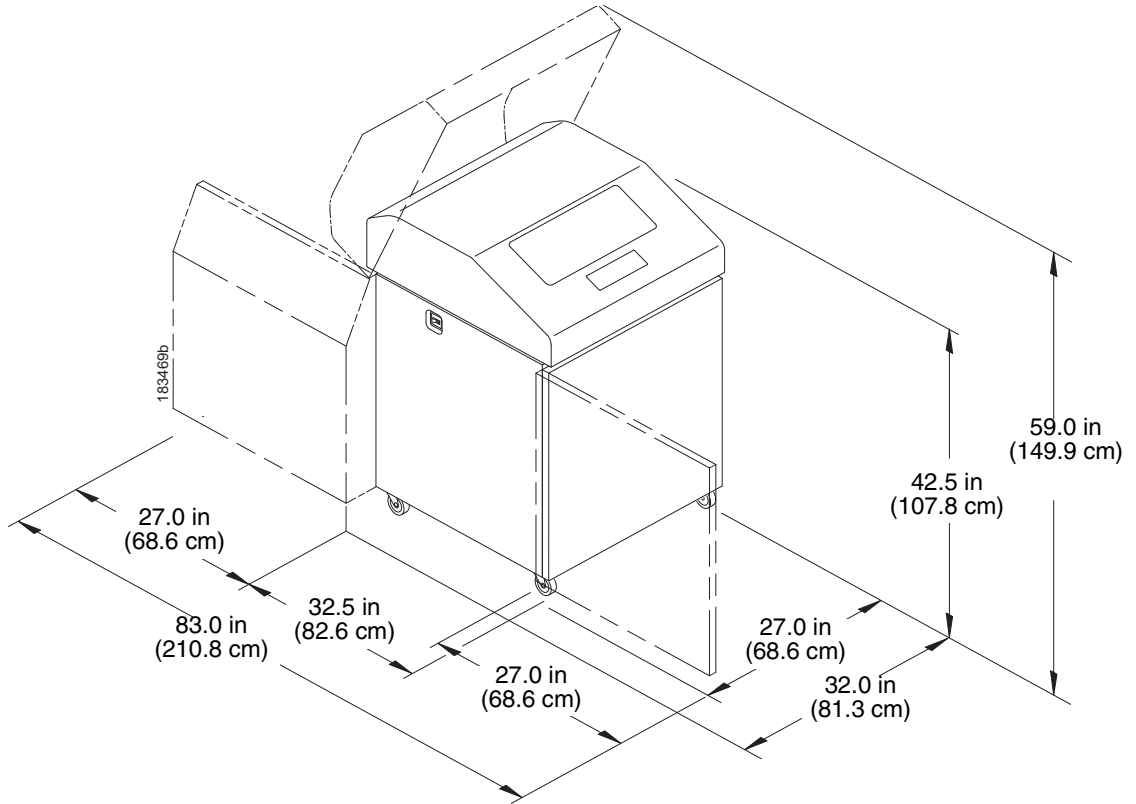


Figure 2. Printer Dimensions - Cabinet Model with Paper Stacker

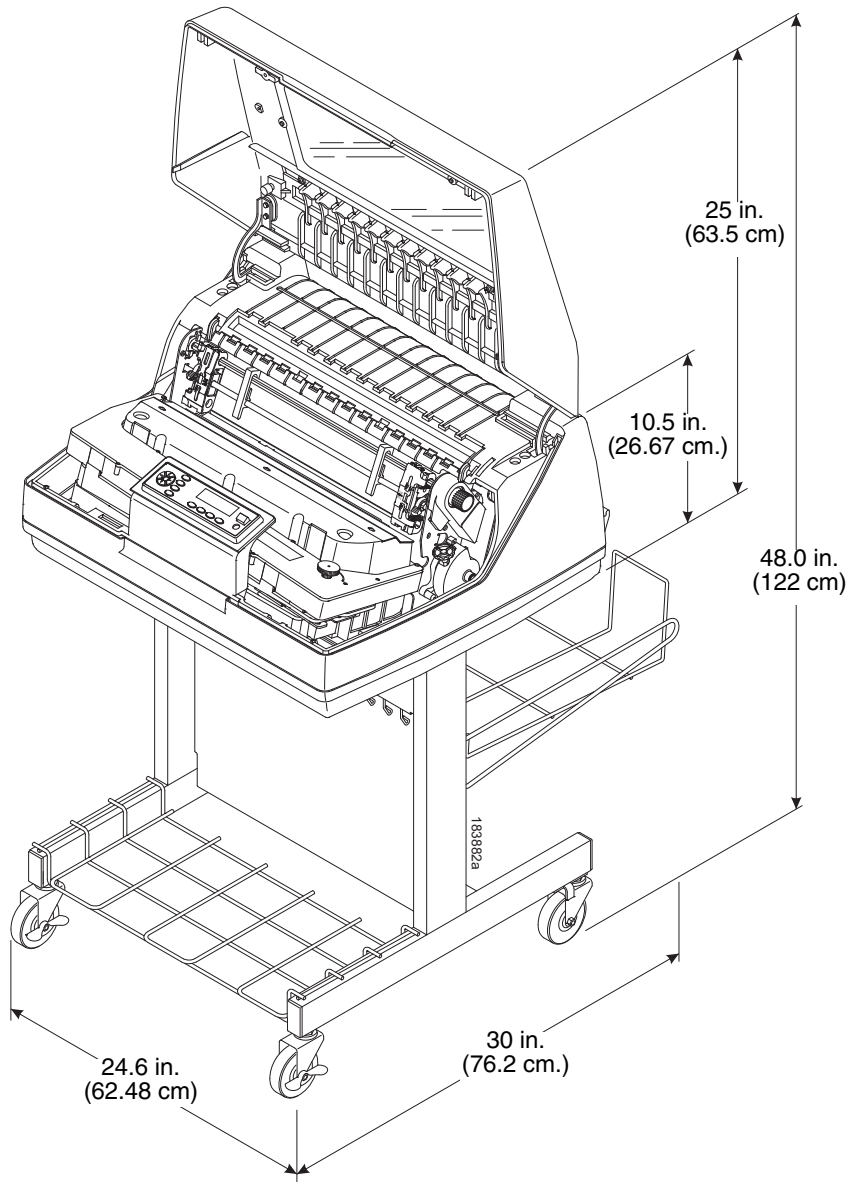


Figure 3. Printer Dimensions - Pedestal Model

Printer Component Locations

Familiarize yourself with the names and locations of the printer components, shown in Figure 4 before continuing with the rest of the installation procedures.

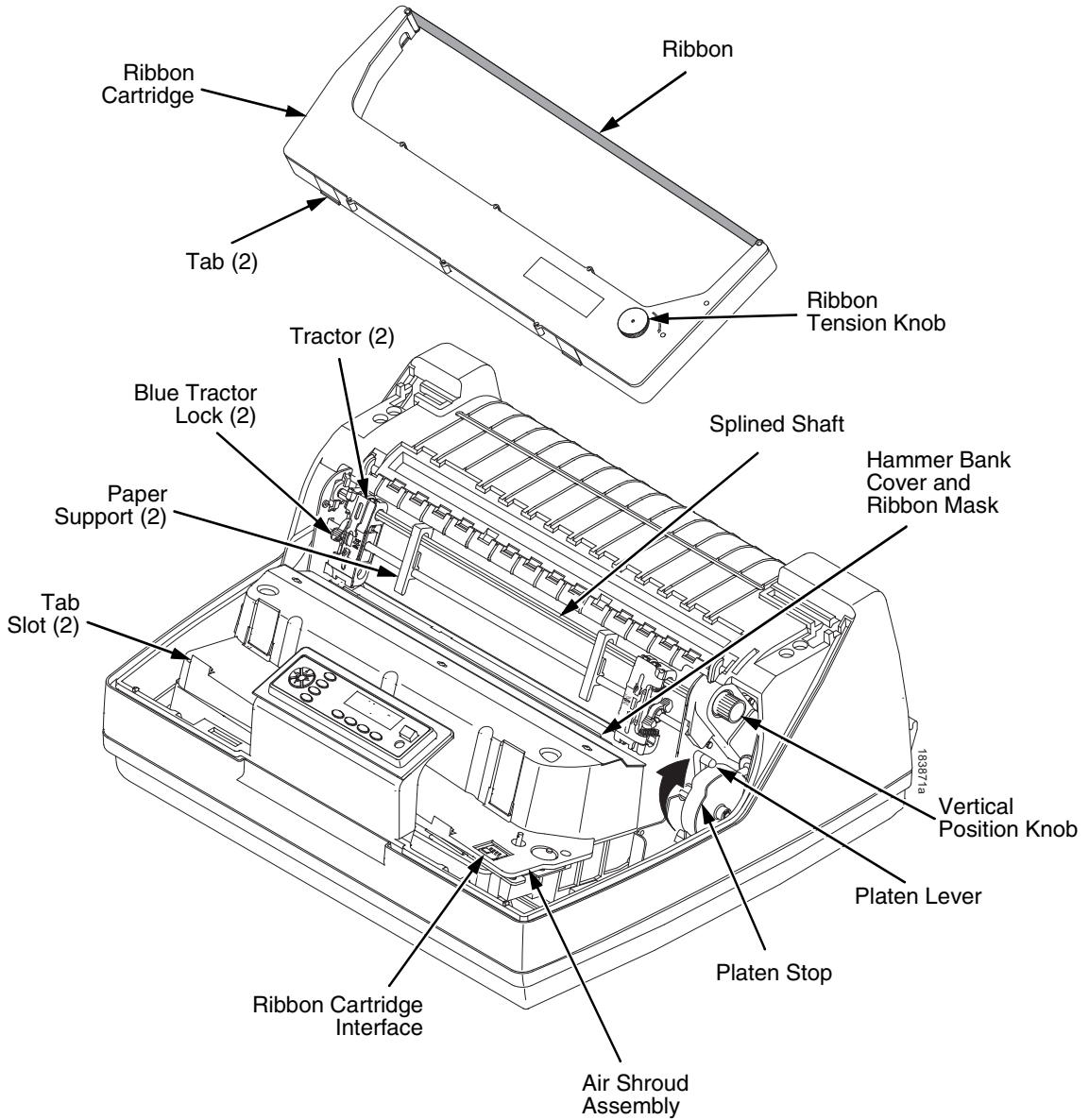


Figure 4. Printer Component Locations

3

Operating The Printer

Powering On The Printer

When you power on the printer, it executes a self-test. The default power-up state is online. When the self-test completes and the software has initialized successfully, the status indicator light turns on, indicating the printer is online. The default value of the type of emulation you have installed appears in the upper right corner of the display. The ribbon life remaining is shown on the second line.

If there is a fault during the self-test, the status indicator flashes and a specific fault message appears on the display (such as "LOAD PAPER"). The alarm also sounds if it is configured to do so. See "LCD Message Troubleshooting Table" on page 134 for information on fault messages and solutions.

Operating Modes

Online. In online mode, the printer can receive and print data sent from the host. Pressing the **||** (ON LINE/CLEAR) key toggles the printer from online to offline mode. The status indicator is lit in online mode.

Offline. In offline mode, you can perform operator functions, such as loading paper and setting top-of-form. You can also move within the printer configuration menus. Pressing the **||** (ON LINE/CLEAR) key toggles the printer from offline to online mode. The status indicator is off in offline mode.

Fault. In fault mode, a condition exists which must be cleared before printing can continue. The status indicator flashes, the alarm beeps (if configured to sound), and a descriptive fault message displays.

The current operating mode can be selected via control panel keys or can result from routine operations such as powering on the printer.

The Control Panel

Figure 5 shows the keys, displays, and indicators as they appear on the control panel. The following section provides the descriptions, and functions of the control panel keys.

Key combinations are indicated with the plus (+) sign. For example, “Press \triangle + ∇ ” means to press the \triangle key and the ∇ key at the same time.

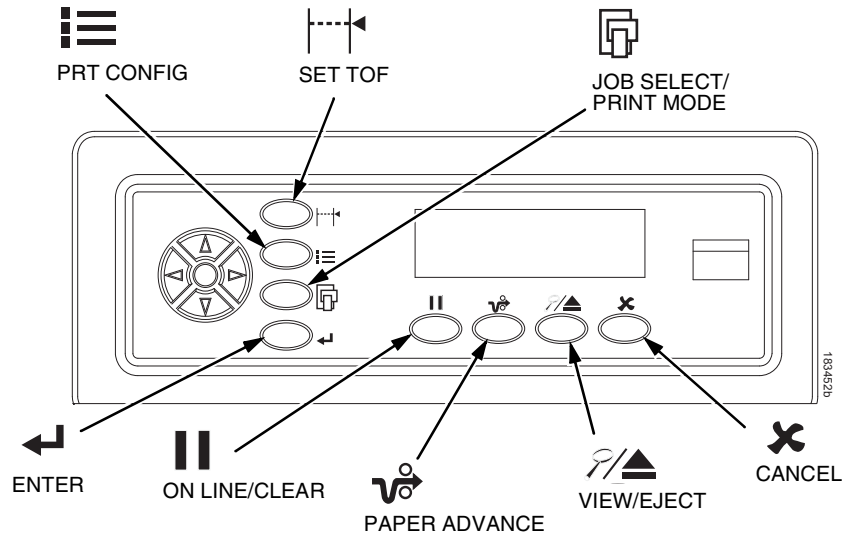


Figure 5. Control Panel

Control Panel Keys

|| ON LINE / CLEAR

Toggles the printer between online and offline modes. If a fault condition exists, pressing this key will clear the fault message and return the printer from fault mode to offline mode.

NOTE: If the fault condition is not corrected *before* pressing this key, the fault message will reappear when attempting to place the printer online.



PAPER ADVANCE

Performs advance to top-of-form, as defined by the current active form length. The key works both online and offline.

- If online with data in the printer buffer, the data will print and then the paper will move to the next top-of-form.
- In the fault state, PAPER ADVANCE will advance the paper. The first press moves to the top of the next available form. All subsequent presses advances one forms length as defined by the current active forms length.



VIEW / EJECT

When the printer is online or offline, pressing this key executes the view or eject function, depending on whether the printer is a cabinet or a pedestal (or zero tear pedestal).

If online with data in the printer buffer, the data prints and the key functions as described below.

If in a fault state, this key will be ignored.

- **View Function** — for cabinet models, pressing the VIEW/EJECT key moves the last data printed to the tractor area for viewing. While in the view state, the message "Printer in View" displays, pressing the UP or DOWN arrow keys moves the paper up or down in 1/72 inch increments. This is done to align the image within a pre-printed form, for example. Refer to the UP and DOWN key functions for additional details on the microstep feature. Pressing VIEW/EJECT a second time moves the paper back to the adjusted print position.
- **Eject Function** — for pedestal models, when the VIEW/EJECT key is pressed, the bottom of the last printed form will move to the tear bar position. The message "READY TO TEAR/EJECT To Return" displays. While in this position, pressing the UP or DOWN arrow keys moves the paper up or down in 1/72 inch increments. Refer to the Up and Down key functions for additional details on the microstep feature. When the VIEW/EJECT key is pressed a second time, the printer will move the paper to enable printing on the next available form.



CANCEL

In offline mode, this key cancels all data in the print buffer, if enabled in "ADVANCED USER" menu (see page 104). The print buffer is cleared without printing any of the data and the current paper position is set as the top-of-form. If this function is disabled, the CANCEL key will be ignored.

NOTE: Use of this key will cause loss of data.

**SET TOF**

Sets the top-of-form on the printer. This key is active only when the printer is offline and will not operate if the printer is in a fault condition. The paper moves down to the print position and aligns to the top-of-form. See the *Quick Setup Guide* for the complete top-of-form setting procedure.

NOTE: If there is any data in the buffer, the paper will move to the last print position.

**PRT CONFIG**

In offline mode, PRT CONFIG prints the current printer configuration. This key requires a confirmation with the ENTER key; pressing any other key will exit from this function. See “The Configuration Menus” on page 41 for an explanation of configuration menus.

**JOB SELECT/PRINT MODE**

In offline mode, this key allows for fast selection of any of the previously stored configurations or typeface of the printer. Pressing this key causes the printer to cycle through the following messages: Load Config., Factory Config, Load Config 1, Load Config 2, Load Config 3, ..., Load Config 8.

**ENTER**

When navigating the configuration menus, ENTER selects the currently displayed option value as the active value. An asterisk (*) appears next to the active value on the display. ENTER is also used for starting and stopping printer tests and generating a configuration printout.

NOTE: The ENTER key must be unlocked in order to function.

See UP + DOWN, below.

The ENTER key lock and unlock function can be configured to be a key combination other than ▲ + ▼ (see page 108).

UP or DOWN (▲ or ▼)

Moves up or down between levels in the configuration menus and makes vertical forms adjustment. After pressing VIEW, press ▲ or ▼ to adjust the paper up or down in 1/72 inch increments for fine vertical forms alignment. When the printer is in offline mode, press ▲ or ▼ to move through levels in the configuration menus.

UP + DOWN (▲ + ▼)

Locks and unlocks the ENTER key.

NOTE: The ENTER key lock and unlock function can be configured to be a key combination other than ▲ + ▼ (see page 108).

PREV or NEXT (◀ or ▶)

Moves between the options on the current level of configuration menu. In the configuration menu, press ◀ to scroll backward or press ▶ to scroll forward through the menu selections on the same level.

PREV + NEXT (◀ + ▶)

When both keys are pressed simultaneously, the printer will reset to the power-up configuration and reset its internal state (in offline mode).

Ribbon Life Indicator

The second line of the LCD displays the remaining life of the currently installed ribbon. The default settings for this feature should match the requirements for most applications; no special user setup is needed. If your particular application requires darker printing or can tolerate lighter printing, the ribbon end point can be adjusted as appropriate. Please refer “Ribbon End Point” on page 102.

Cancel A Print Job

The procedure to cancel a print job depends on the printer emulation and your application software. Contact your system administrator for additional information.

1. If the printer is online, press **||** (ON LINE/CLEAR) to place the printer in offline mode.
2. From the host system, stop the print job.

NOTE: If the print job is not stopped from the host system before pressing **X** (CANCEL), the print job continues with data missing when the printer returns to online mode. Exercise caution to prevent unwanted data loss occurrences, as this function deletes unprinted data in the printer. This function is active only in offline mode; the purpose of this function is to eliminate the necessity of printing unwanted data when print jobs are canceled.

3. Press **X** (CANCEL).

NOTE: You may need to enable the Cancel option on the front panel. See “ADVANCED USER” on page 104 for details.

4. Set the top-of-form. Refer to the *Quick Reference Guide*.

Operational Procedures

This section contains routine printer operating procedures on how to:

- reload paper;
- unload paper;
- cancel a print job.

Reload Paper

Do this procedure when “LOAD PAPER” displays. (This message occurs when the last sheet of paper passes through the paper slot.) This procedure reloads paper without removing the last sheet of the old paper supply, while retaining the current top-of-form setting.

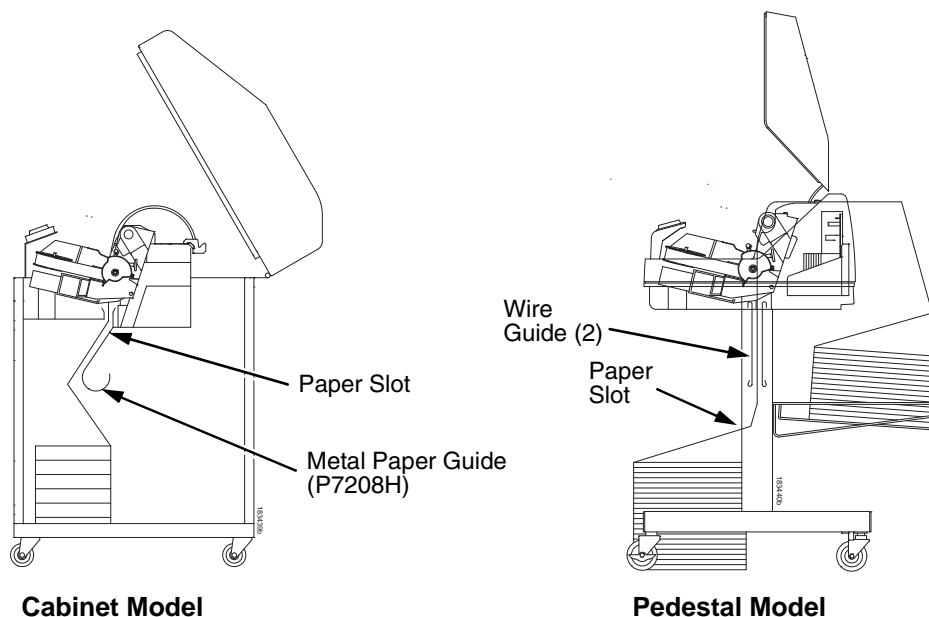


Figure 6. Paper Slot Location

1. Raise the printer cover. Raise the platen lever as far as it will go. (See “Printer Component Locations” on page 17 for the location of the lever.)
2. Press **||** (ON LINE/CLEAR) to turn off the alarm. Do not open the tractor doors or remove the existing paper.
3. For cabinet models, open the front door. Align the paper supply with the label on the floor. Ensure the paper pulls freely from the box.
4. Feed the paper up through the paper slot (see Figure 6). It may be easier to feed one corner of the new paper up through the slot first. When this corner can be grasped from the top, rotate the paper back to the normal position.

NOTE: If you are using thick, multi-part forms and are unable to load the new paper over the existing paper, go to step 15.

5. Hold the paper to prevent it from slipping down and through the paper slot.

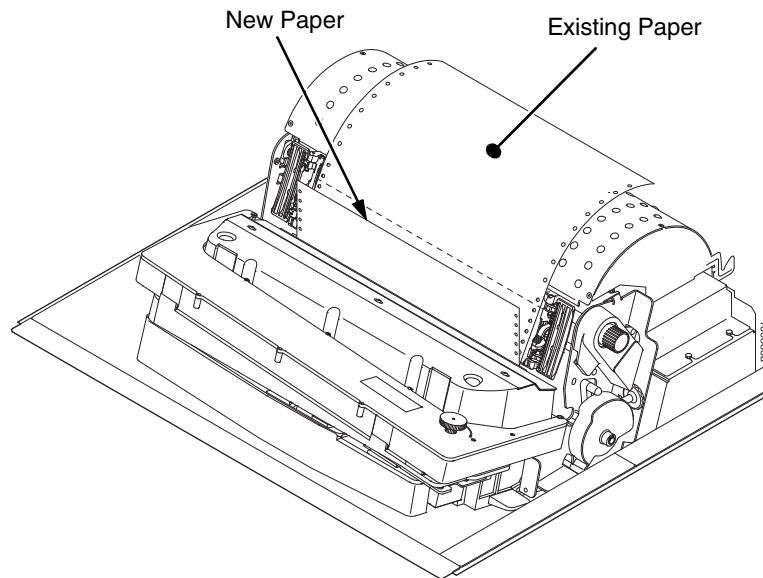


Figure 7. Loading New Paper into the Printer

6. Pull the new paper above and behind the ribbon mask, but in front of the existing paper. The ribbon mask location is shown on the ribbon path diagram. If necessary, gently press the existing paper back.
7. Align the top edge of the new paper with the top perforation of the existing paper.
8. Load the new paper over the existing paper. Open and load the tractors one at a time to prevent the paper from slipping.

NOTE: Make sure that the top edge of the new paper lines up with the top horizontal perforation of the last page.

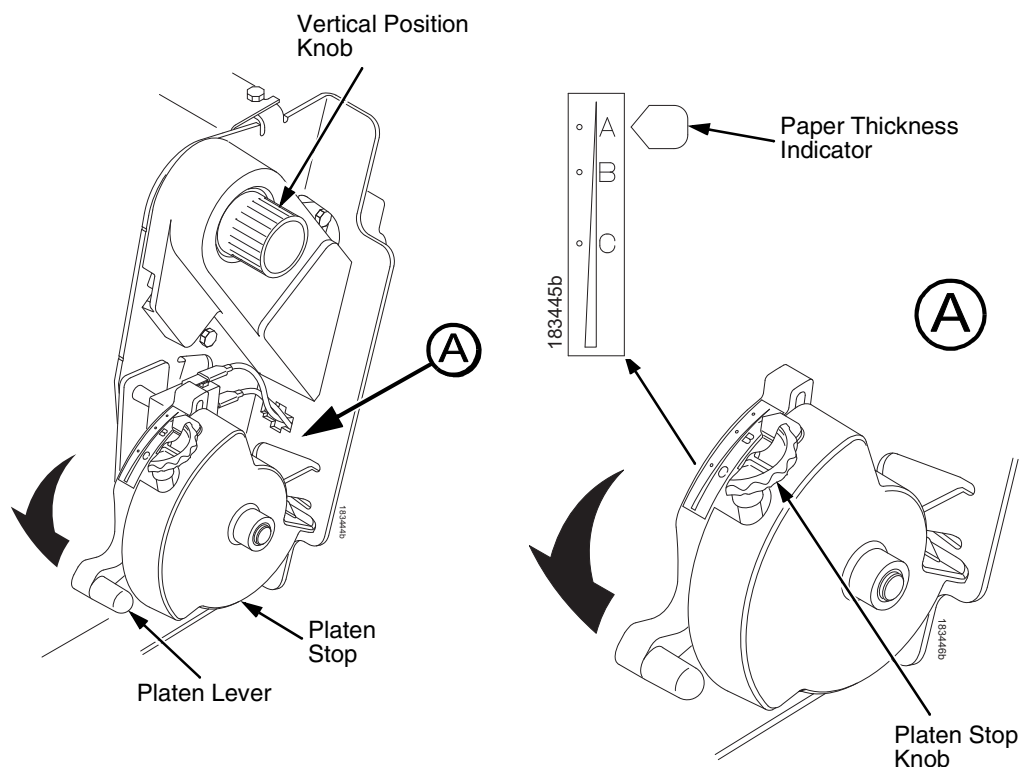


Figure 8. Setting the Platen Lever

9. Turn the platen stop knob clockwise or counterclockwise to match the paper thickness. (The A-B-C scale corresponds approximately to 1-, 3-, and 6-part paper thickness).

NOTE: If you are using the same thickness of paper, there is no need to readjust.

10. Lower the platen lever.

NOTE: Do not set the platen lever too tightly; excessive friction can cause paper jams, ribbon jams with potential for ribbon damage, smeared ink, or wavy print.

11. Press **||** (ON LINE/CLEAR) to remove the “LOAD PAPER” fault message from the display.
12. Press **v** (PAPER ADVANCE) several times to make sure the paper feeds properly beyond the tractors and over the lower paper guide. Feed sufficient paper to ensure the paper stacks correctly.
13. Close the printer cover. Close the cabinet front door.
14. Press **||** (ON LINE/CLEAR) to place the printer in online mode and resume printing.

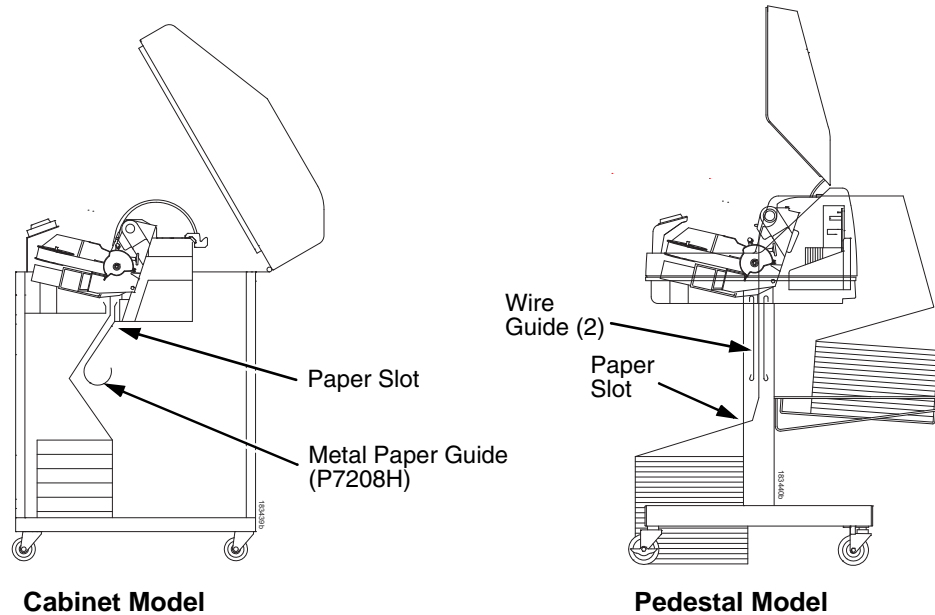


Figure 9. Paper Slots on the Printers

NOTE: Perform steps 15 through 32 only if you are unable to load the new paper over the existing paper.

15. Open both tractor doors.
16. Remove the old paper from the tractors. Allow the paper to fall into the paper supply area.
17. Feed the new paper up through the paper slot. Hold the paper to prevent it from slipping down through the paper slot.

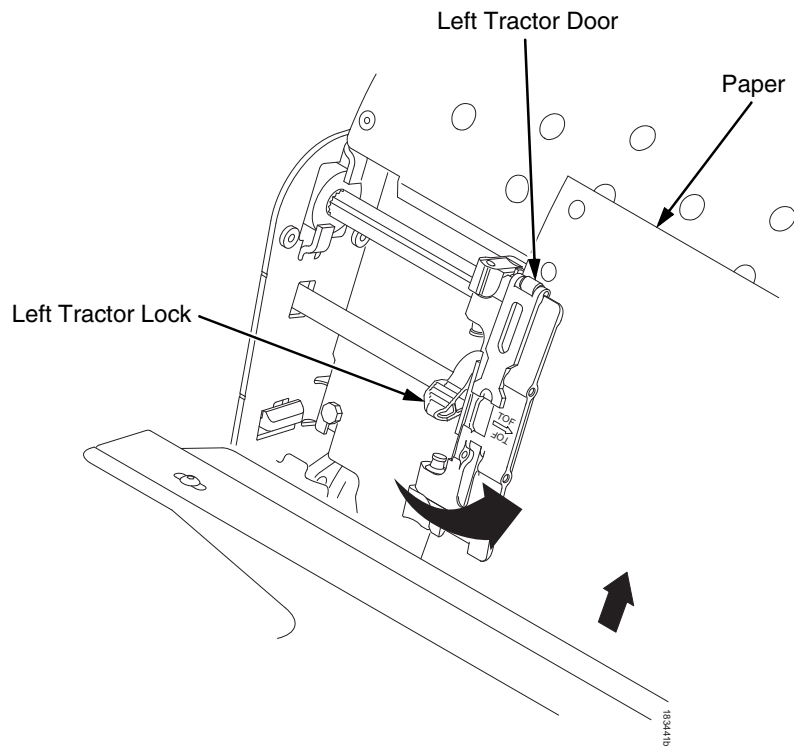


Figure 10. Loading Paper on the Left Tractor

18. Pull the paper above and behind the ribbon mask. See Figure 4 on page 17 for the ribbon mask location.
19. Load the paper on the left tractor.
20. Close the tractor door.

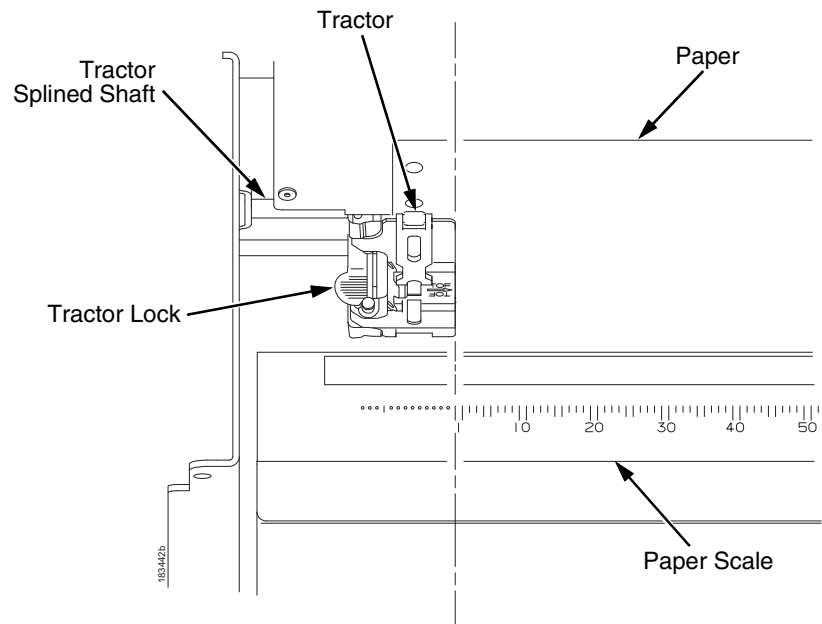


Figure 11. Positioning the Left Tractor to Avoid Damage

CAUTION To avoid damage to the printer caused by printing on the platen, always position the left tractor unit directly to the left of the “1” mark on the paper scale.

21. Normally, you should not need to adjust the position of the left tractor. If adjustment is necessary, unlock the left tractor by placing the tractor lock in the middle position. Slide the tractor until it is directly to the left of the number “1” on the paper scale and lock it. (You can also use the paper scale to count columns.)

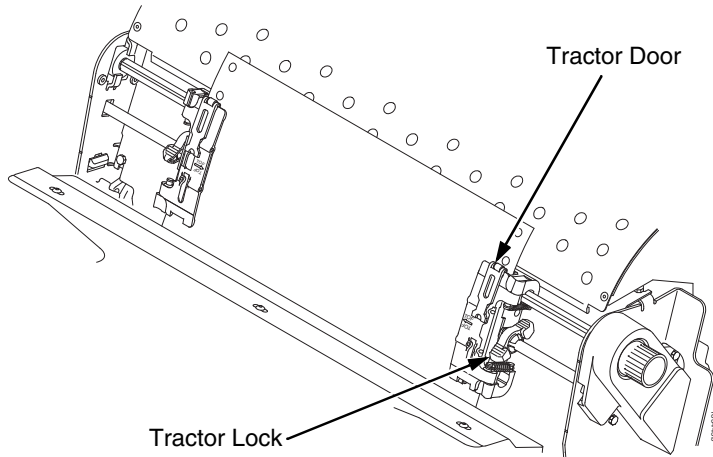


Figure 12. Loading Paper onto the Sprockets

22. Unlock the right tractor.
23. Load the paper onto the sprockets and close the tractor door.
If necessary, slide the right sprocket to remove paper slack or to adjust for various paper widths. Then, lock the tractor.

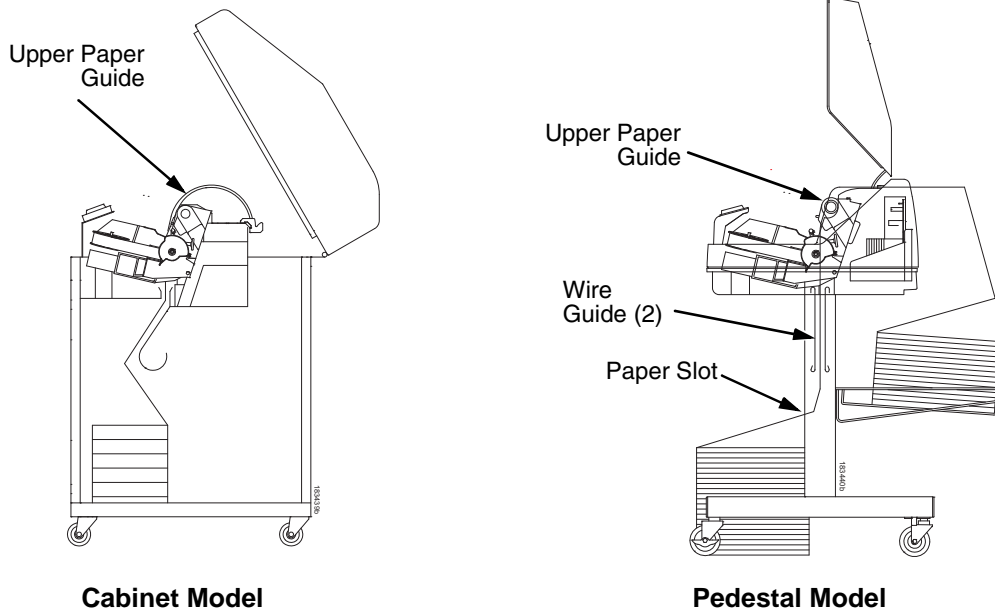



Figure 13. Using the Paper Guide to Orient the Paper

24. Pedestal models:

Using the vertical position knob to move the paper up, guide the paper over the lower paper guide and through the slot in the top cover. For pedestal models with the Quick Access Cover, refer to the *Quick Setup Guide* for paper exiting options.

25. Press  (PAPER ADVANCE) several times to make sure the paper feeds properly beyond the tractors and over the lower paper guide. Feed sufficient paper to ensure the paper stacks correctly.

26. Cabinet models:

Open the cabinet rear door. Make sure the paper is aligned with the label in the output area (inside the cabinet). Close the front and rear doors.

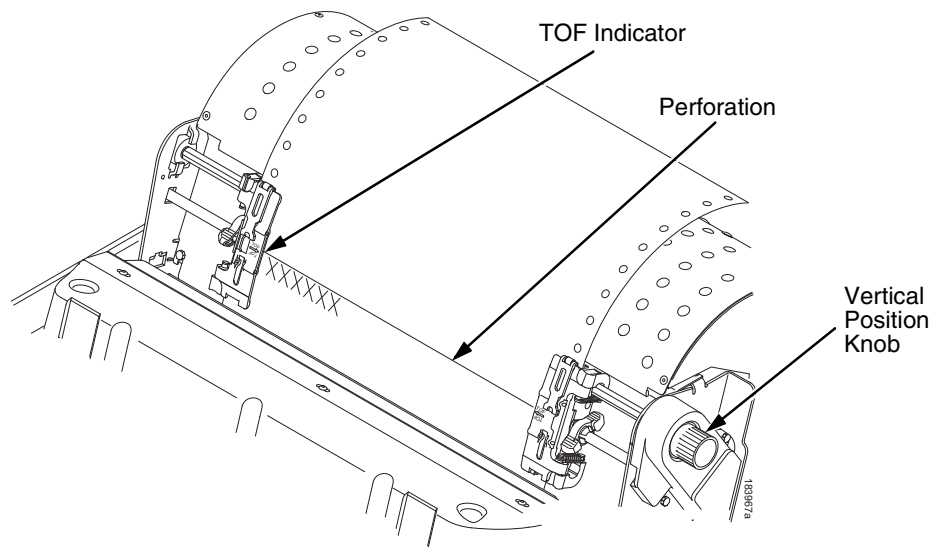

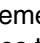


Figure 14. Aligning the Perforation with the TOF Indicator

27. Align the top of the first print line with the TOF indicator on the tractor by rotating the vertical position knob. For best print quality, set the top-of-form at least 1/2 inch below the perforation.

NOTE: For exact positioning, press the  (VIEW/EJECT) key to move the last data printed to the tractor area for viewing. While in View mode “Printer in View” displays. Press the Up or Down Arrow keys to move the paper vertically in small increments. Pressing the  (VIEW/EJECT) key a second time moves the paper back to the adjusted print position. The key works both online and offline provided that the printer is in View mode. (This procedure is applicable for both the cabinet and pedestal models.)

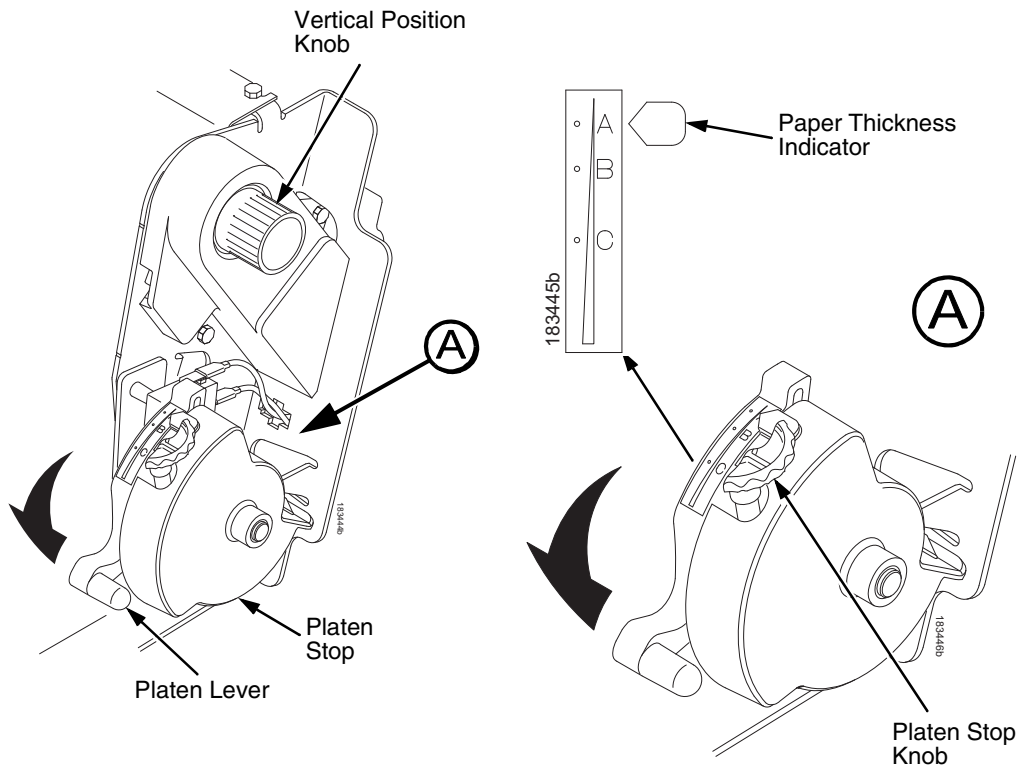


Figure 15. Adjusting the Platen Lever

28. Turn the platen stop knob clockwise or counterclockwise to match the paper thickness. (The A-B-C scale corresponds approximately to 1-, 3-, and 6-part paper thickness. Adjust until you have the desired print quality.)

NOTE: The platen stop allows you to set an optimum and consistent thickness that is not affected when opening and closing the platen lever.

29. Lower the platen lever until it stops.

30. Press **||** (ON LINE/CLEAR) to clear any fault messages (such as “LOAD PAPER”) from the LCD.

31. Press **↑** (SET TOF). The top-of-form you have set moves down to the print position. If there is data in the buffer, the paper moves forward to the last print position on the next page.

32. Press **||** (ON LINE/CLEAR) and close the printer cover.

Unload Paper

1. Press **||** (ON LINE/CLEAR) to place the printer in offline mode and open the printer cover.
2. For cabinet models, open the cabinet rear door. For models with the power stacker installed, press the STACKER UP key on the rear control panel.

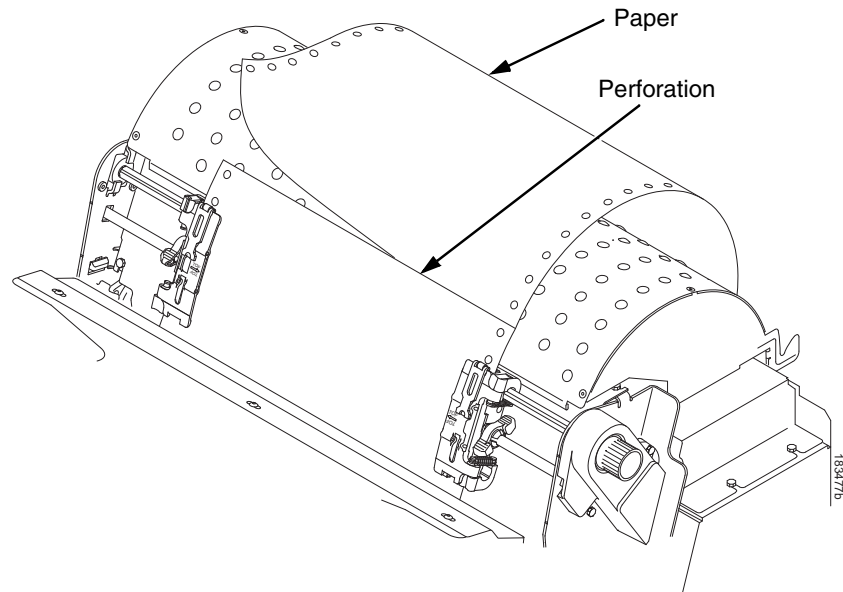


Figure 16. Unloading the Paper from the Printer

3. Tear off the paper at the perforation.
4. Allow the paper to fall to the back of the printer and into the paper stacking area.
5. For pedestal models, remove the stacked paper from the paper tray.

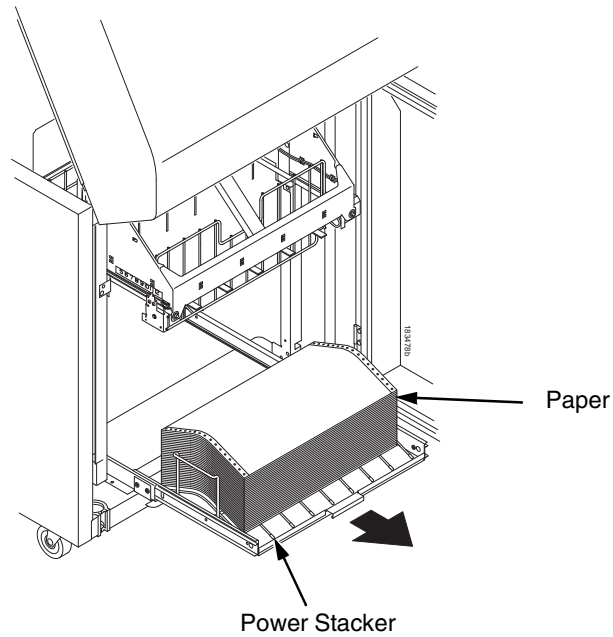


Figure 17. Removing Stacked Paper from the Printer

6. For cabinet models, remove the stacked paper from the rear cabinet floor. For cabinet models with the power stacker installed, remove the paper from the wire paper tent and press the STACKER DOWN key to lower the stacker mechanism.
7. Close the cabinet rear door.

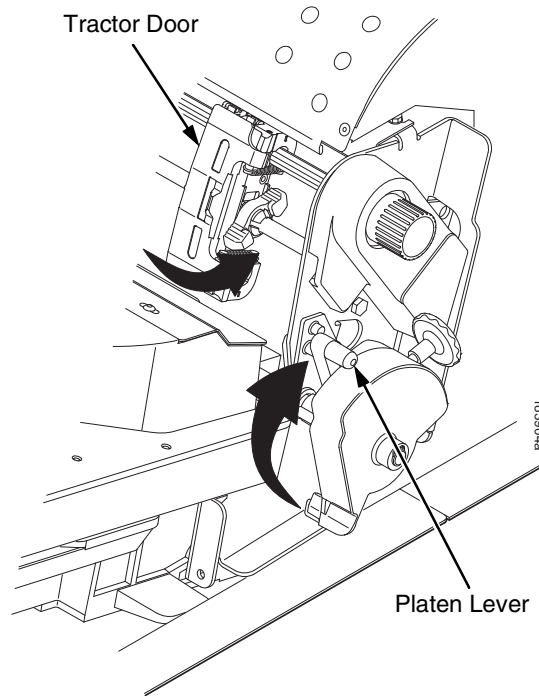


Figure 18. Completely Removing the Paper

8. To completely remove the paper from the printer:
 - a. Raise the platen lever as far as it will go and open both tractor doors.

CAUTION Be careful when pulling any paper backward through the paper path, especially when using a label stock. If you are not careful, labels can detach and adhere to the printer within the paper path, where only an authorized service representative can remove them.

- b. Open the cabinet front door.
- c. Gently pull the paper down through the paper slot. Allow the paper to fall into the paper supply area.
- d. Remove the paper from the paper supply area.

Integrated Print Management System

The P7000 has a new feature that automatically monitors and communicates the status of the ribbon life to help the operator know when to change ribbons. Using an ink delivery system called the Cartridge Ribbon System (CRS), the printer can automatically detect when a new or used ribbon is loaded, and all ribbon properties. The ribbon is contained in a plastic box (the cartridge) and feeds only in one direction. The CRS contains an interface board that allows communication between the printer and the cartridge. Using the CRS, the P7000 automatically detects when a new or used ribbon is installed and determines the ribbon's length, ink color, and expected yield. The ribbon life, starting from 100% when new and decreasing to 0% when depleted, is always displayed on the control panel. See Figure 5 on page 20.

When the ribbon life reaches 2%, a warning message "RIBBON UNDER 2%/ Change RBN soon" appears on the control panel display. The control panel status indicator lamp flashes. The printer will continue printing in this condition until the ribbon life reaches 0% at which time, printing will stop. The ribbon may be changed at any time while the printer is in the "RBN END POINT/ Change Ribbon" condition without losing data in the printer's buffer. If a new ribbon is loaded, the system automatically detects the change, clears the condition when the platen is closed, and restarts the life at 100%. If a partially used ribbon is loaded, the system continues the life at the percentage indicated for the used ribbon.

You may also resume printing for approximately two more minutes without changing the ribbon by pressing the ON LINE/CLEAR key twice. This may be done as many times as needed to complete the job in progress.

Ribbon usage information is calculated by maintaining a count of impressions (dots) that is stored on the ribbon cartridge and updated periodically so that the cartridge can be used on a different printer with the information intact. This allows the system administrator to have precise control over print quality and consumable costs. The accurate presentation of available ribbon life allows for efficient planning of print jobs. For example, if the displayed ribbon life were low, you can install a new ribbon before printing a large print job.

Output Darkness

By default the system is configured to meet most user requirements. However, some applications require that the output remains darker than the nominal set point while some applications are less critical and could tolerate a lighter final image. The system can easily adjust to this variability. A setting under the Printer Control menu is available that allows the user to adjust the final output. The range is as follows:

Normal (Default)
Darker +1 through +6
Lighter -1 through -10

The ribbon life indicator always cycles between 100% and 0%, but if a darker setting is selected, zero will be reached more quickly. If a lighter setting is selected, the system will extend the amount of printing it takes to reach zero.

Loading a Used Ribbon Cartridge

You can take the ribbon cartridge off the printer and reload it at a later time. The ribbon life gauge automatically updates to reflect the correct remaining capacity.

NOTE: Since the ribbon usage information is stored on the ribbon cartridge, you can reload a partially used cartridge onto a different printer.

Lighter Or Darker Print

The ribbon life value as determined by the Integrated Print Management System is factory set so that the image quality at the end of the ribbon life is as good as it was when the ribbon was new. You may adjust the ribbon end point for a lighter or darker image as required for your printing needs. See “PRINTER CONTROL” on page 102.

Changing Ribbon Cartridge

Before changing the ribbon cartridge, determine whether at the end of ribbon life if you want to make the print lighter (extend the ribbon life) or darker (shorten the ribbon life). If you want to make the print lighter, go to “Ribbon End Point” on page 57 and follow the procedures for adjusting the image density. If you are satisfied with the print darkness, or if you want to increase the darkness at the end of ribbon life, continue with the following steps.

NOTE: Ribbon cartridge instructions and illustrations shown in the following section are for the pedestal model. Follow the same procedures for the cabinet model.

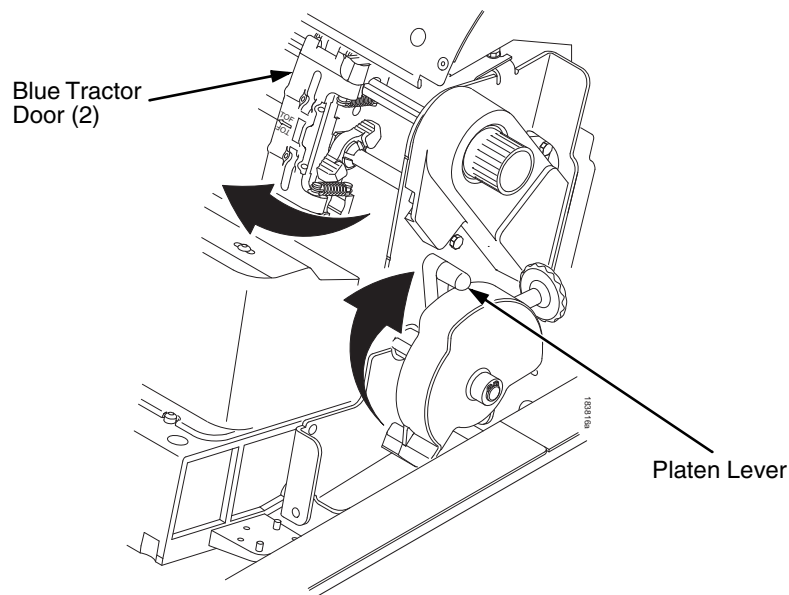


Figure 19. Preparing to Load the Ribbon

1. Open the printer cover.
2. Raise the platen lever as far as it will go.
3. Close the tractor doors.
4. Remove the old ribbon cartridge and discard properly.

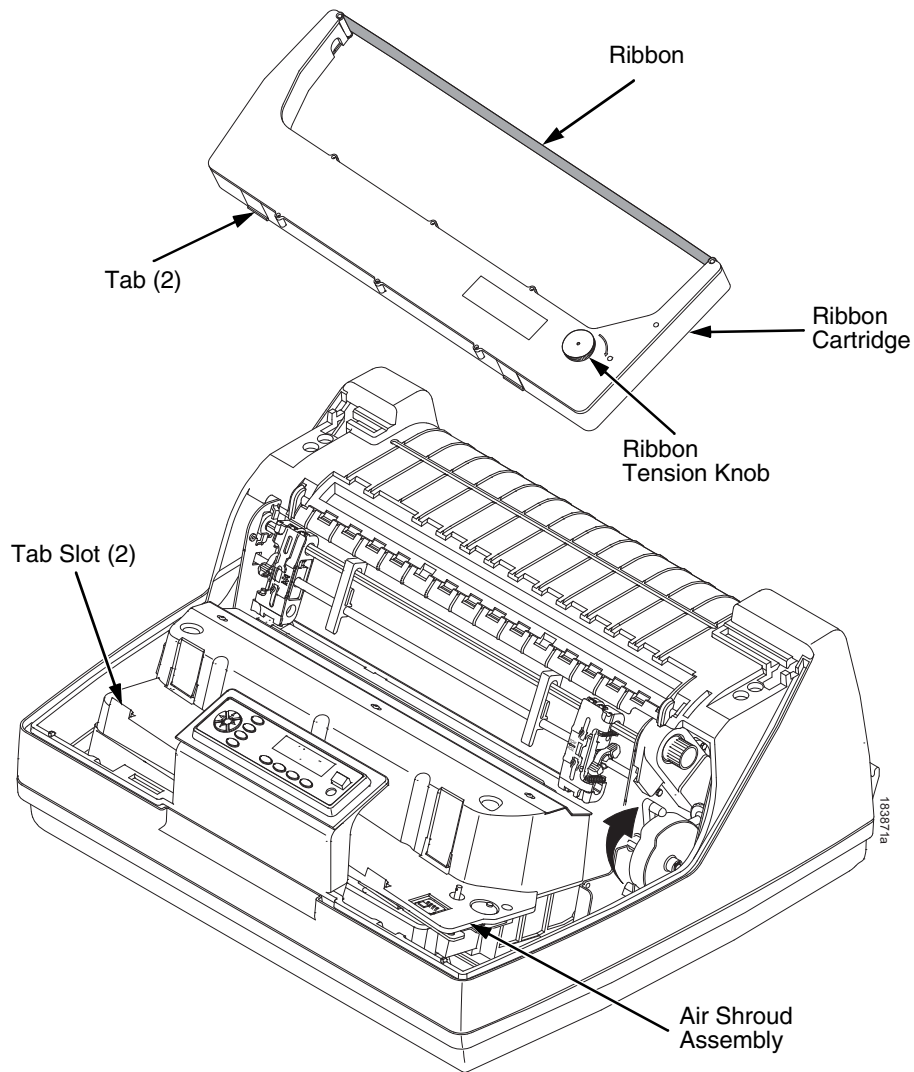


Figure 20. Installing the Ribbon Cartridge

5. Remove the ribbon slack on the new ribbon cartridge by turning the ribbon tension knob clockwise.

CAUTION Do not turn the ribbon tension knob counterclockwise. This could damage the ribbon cartridge.

6. Hold the cartridge at an angle, so that the rear side nearest you is lower than the side with the ribbon. Find the two tabs on the outside of the cartridge and place them into the corresponding slots on the air shroud assembly (see Figure 20).

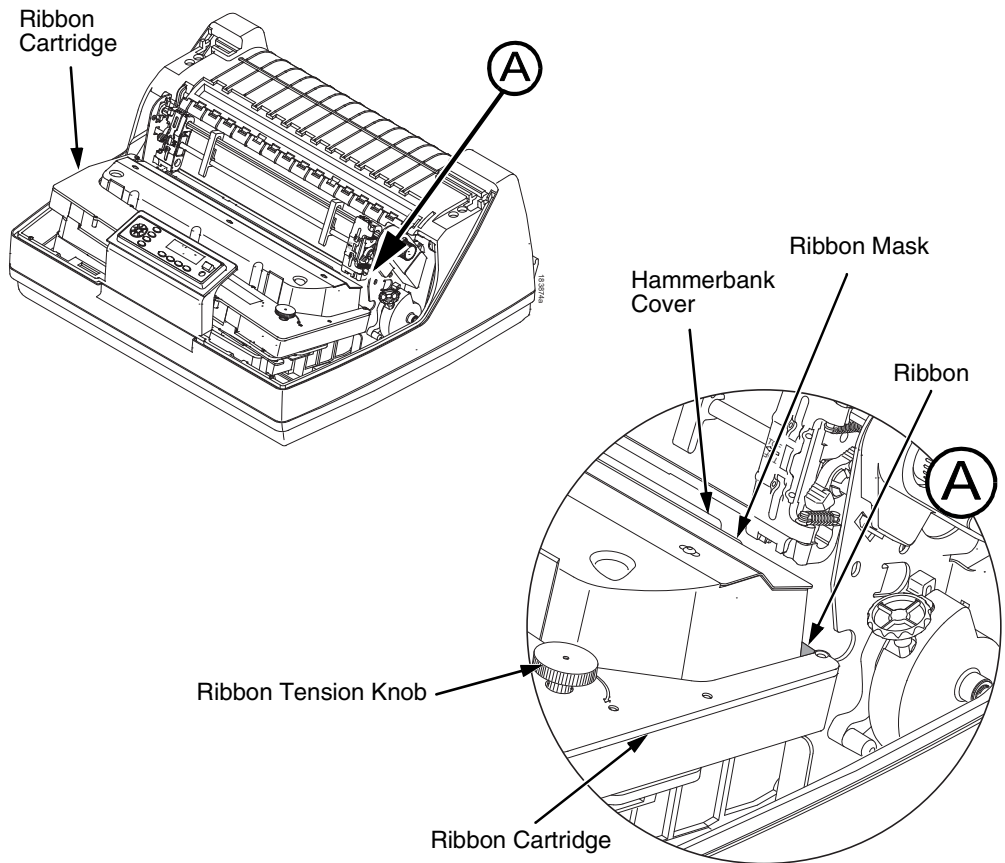


Figure 21. The Ribbon Cartridge Snapped in Place

7. Rock the cartridge downward, making sure that the ribbon goes between the guide and the mask (see Figure 21). You will feel it snap into place.

CAUTION Make sure that the ribbon does not twist or fold over.

8. Turn the ribbon tension knob clockwise a few times to make sure the ribbon tracks correctly in the ribbon path.
9. Close the platen lever.
10. Close the printer top cover.

If you want to increase the darkness level of the ribbon at the end of life, go to “Ribbon End Point” on page 57 and follow the procedures for adjusting the image density.

If you are satisfied with the print darkness, press the **||** (ON LINE/CLEAR) key twice to return the printer to operation.

4

The Configuration Menus

Configuration Overview

To print data, the printer must respond correctly to signals and commands received from the host computer. Configuration is the process of matching the printer's operating characteristics to those of the host computer and to specific tasks, such as printing labels or printing on different sizes of paper. The characteristics which define the printer's response to signals and commands received from the host computer are called configuration parameters.

You can configure the printer using the configuration menus and the control panel or by sending control codes in the data stream from a host computer attached to the printer. This chapter provides an introduction to configuring the printer and includes the configuration menus available (depending on which emulation you have installed in the printer).

IMPORTANT

Configuration directly affects printer operation. Do not change the configuration of your printer until you are thoroughly familiar with the procedures in this chapter.

Changing And Saving Parameter Settings

You may change a printer parameter setting, such as line spacing or forms length, either by pressing keys on the control panel or by sending emulation control codes in the data stream from a host attached to the printer. The control panel allows you to configure the printer's resident set of configuration menus. An example procedure for using the control panel to change parameter settings begins on page 43.

When control codes are sent from a host attached to the printer, they override control panel settings. For example, if you set the line spacing to 6 lpi with the control panel, and application software later changes this to 8 lpi with a control code, the control code overrides the control panel setting.

Saving Parameter Settings

The parameter settings that you have changed can be permanently stored in the printer's memory as a configuration. See "Auto Save Configuration" on page 46. and "Saving Your New Configuration" on page 46.

You may also save your new configurations using the PTX_SETUP command host control code. See your *LinePrinter Plus Programmer's Reference Manual* for details.

Default And Custom Configurations

A configuration consists of a group of parameter settings, such as line spacing, forms length, etc. Your printer provides a fixed default configuration and allows you to define several custom configurations for use with particular print jobs. The factory default configuration can be loaded, but it cannot be altered.

Eight configurations can be modified for unique print job requirements. The “Save Config.” option allows you to save eight groups of parameter settings in memory as custom configurations numbered from 1 through 8. An explanation on how to save a set of parameter values as a custom configuration using the “Save Config.” menu option begins on page 46.

Navigating The Menus

To manipulate configurations review the following instructions about navigating through the menus.

You must be offline to move within the menus.

ON LINE/CLEAR



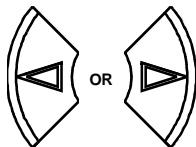
Press to toggle between ONLINE and OFFLINE. Menus are accessed with the printer offline.



OR



Press to move up or down through the menu levels.



Press to scroll through the available choices on a chosen level.

ENTER



Press to confirm selection.



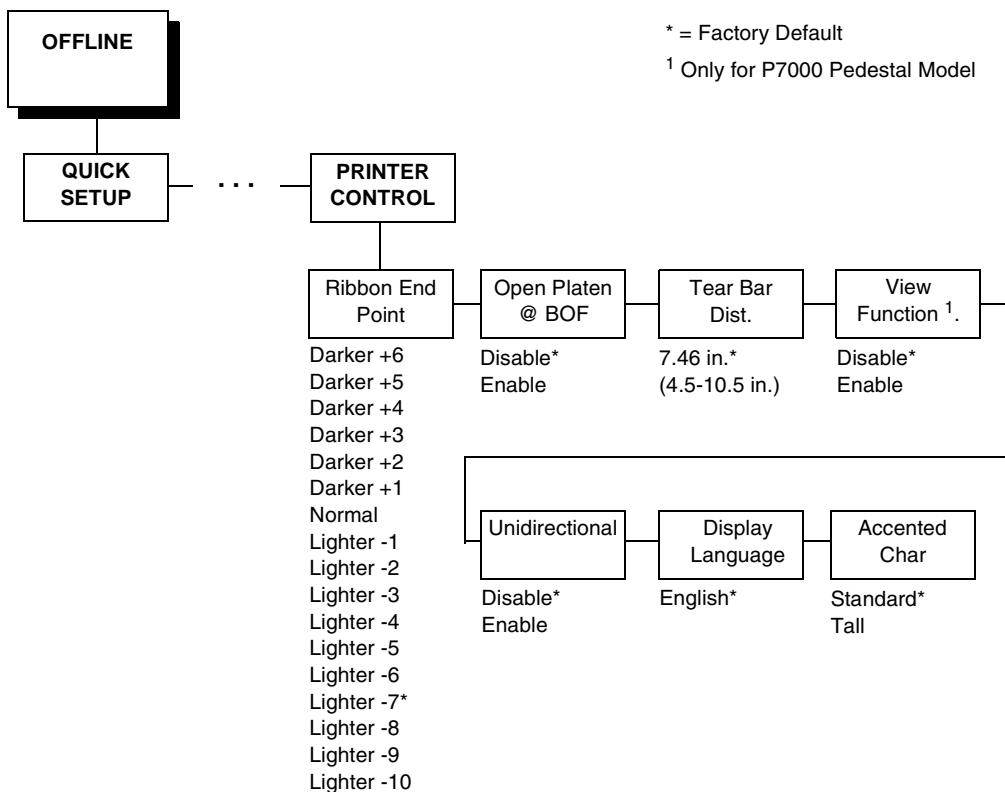
+



Press to lock and unlock the ENTER key. The ENTER key is locked by default to prevent you from accidentally changing the printer configuration. The lock and unlock function can be configured to be other than ▲ + ▼ (See “Set Lock Key” on page 108.)

To experiment with navigating the menus, use the example on the next page as a tutorial.

Changing Parameters Example
















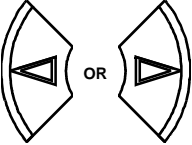







A configuration consists of several parameters. The default factory configuration has a starting set of parameters. In the configuration menu above, and in all the configuration menus in this chapter, the factory default values are indicated by an asterisk (*).

Your print jobs may require parameter values which vary from the default settings. This section provides an example procedure for changing individual parameter values.

The following procedure shows how to change and save the settings for the Unidirectional and Accented Char options. Use these guidelines to navigate the configuration menus and change other parameters.

NOTE: When changing Ribbon End Point parameters, all changes will apply to every configuration saved. Changes to Ribbon End Point cannot be saved to an individual configuration.

Step	Press	LCD	Notes
1.	Make sure the printer is on.		
2.	ON LINE/CLEAR 	OFFLINE QUICK SETUP	Allows you to make configuration changes.
3.	 + 	ENTER SWITCH UNLOCKED	
		OFFLINE QUICK SETUP	
4.	 UNTIL	OFFLINE PRINTER CONTROL	
5.		PRINTER CONTROL Ribbon End Point	
6.	 UNTIL	PRINTER CONTROL Unidirectional	
7.		Unidirectional Disable*	
8.	 OR 	Unidirectional Enable	Cycle through the choices.
9.	ENTER 	Unidirectional Enable*	The * indicates this choice is active.
10.		PRINTER CONTROL Unidirectional	

Step	Press	LCD	Notes	
11.	 UNTIL	PRINTER CONTROL Accented Char	Press until the desired parameter displays. The * indicates this choice is active. Locks the ENTER key. Press ENTER to automatically save configuration changes. Press ONLINE to continue without saving. Configuration changes have been saved as Configuration 1, and will be set as the Power-Up config. The printer will then be brought online. Places the printer online without permanently saving the configuration changes.	
12.		Accented Char Standard*		
13.	 OR 	Accented Char Tall		
14.	ENTER 	Accented Char Tall*		
15.	 + 	ENTER SWITCH LOCKED		
16.	ON LINE/CLEAR 	ENTER = Save ONLINE = No Save		
17A.	ENTER 	Cfg = 1* = Power-Up Cfg		
17B.	ON LINE/CLEAR 	ONLINE Ribbon Life 100%		
18.	The printer is ready for operation			

The parameters you have changed will remain active as long as the printer is on. When you turn off the printer, the parameters will be erased from memory unless you save them in a configuration. If you do not save the configuration, the printer will revert to the default values next time the printer is powered on.

Auto Save Configuration

After any changes are made to the Factory Default configuration menu items, you will be prompted to save the changes to “Config #” when you place the printer online. “#” represents the next available unassigned configuration number. When prompted, press one of the following:

- **Enter.** Saves to Config 1 or the next available Config, and becomes the power-up config.
- **Online.** Changes will be implemented but saved only temporarily until deliberately saved as a new configuration or until you power off the printer. All changes will be lost when you power off the printer.

Saving Your New Configuration











The Save Config. option allows you to save up to eight custom configurations to meet different print job requirements. Once you have changed all of the necessary parameters, you may save them as a numbered configuration (Example 1 on page 47) or a named configuration (Example 2 on page 49) that can be stored and loaded later for future use. If you do not save your configuration using the Auto Save, or this option, all of your parameter changes will be erased when you power off the printer.










Once you have saved a custom configuration using this option, it will not be lost if you power off the printer. You can load a configuration for a specific print job (see “Load Config.” on page 58). You can also modify and resave it. You may want to print your configurations (see “Print Config.” on page 59) and store them in a safe place, such as inside the printer cabinet. If the Protect Configs. parameter is enabled and you try to resave an existing configuration, the new configuration will not be saved until the existing configuration has been deleted (see “Delete Config.” on page 59).

NOTE: Once you change active emulations, any changes to the previously selected emulation will be gone unless they have been saved.

Example 1











This example shows how to save a configuration as a numbered configuration, then later print it.












Step	Press	LCD	Notes
1.	Make sure the printer is on.		
2.	ON LINE/CLEAR 	OFFLINE QUICK SETUP	
3.	 + 	ENTER SWITCH UNLOCKED	Allows you to make configuration changes.
		OFFLINE QUICK SETUP	
4.	 UNTIL	OFFLINE CONFIG. CONTROL	
5.		CONFIG. CONTROL Load Config.	
6.	 UNTIL	CONFIG. CONTROL Save Config.	
7.		Save Config. 1*	
8.	 OR 	Save Config. 2	Cycle through the choices.
9.	ENTER 	Save Config. 2*	The * indicates this choice is active.






Step	Press	LCD	Notes
<p>NOTE: We recommend that you print the configuration. To print the configuration go to Step 9. To skip this procedure and resume printer operation, go to Step 14.</p>			
10.		CONFIG. CONTROL Save Config.	
11.	 UNTIL	CONFIG. CONTROL Print Config.	
12.		Print Config. Current	
13.	 OR 	Print Config. 2	Press until the desired parameter displays.
14.	ENTER 	OFFLINE CONFIG. CONTROL	The selected configuration is printed.
15.	 + 	ENTER SWITCH LOCKED	Locks the ENTER key.
16.	ON LINE/CLEAR 	ONLINE Ribbon Life 100%	
17.	If you printed out the configuration, store it in a safe place. The printer is ready for operation.		

Example 2

This example shows how to save a configuration as a named configuration.

Step	Press	LCD	Notes
1.	Make sure the printer is on.		
2.	ON LINE/CLEAR 	OFFLINE QUICK SETUP	Allows you to make configuration changes.
3.	 + 	ENTER SWITCH UNLOCKED	
		OFFLINE QUICK SETUP	
4.	 UNTIL	OFFLINE CONFIG. CONTROL	
5.		CONFIG. CONTROL Load Config.	
6.	 UNTIL	CONFIG. CONTROL Name Configs.	
7.		Name Configs. 1	The LCD flashes.
8.	 UNTIL	Name Configs 2	You will rename config 2.
9.		2 2*	
10.	 UNTIL	2 T	Cycle through the choices until "T" displays.

Step	Press	LCD	Notes
11.		2 T_	Saves the first character.
12.	 UNTIL	2 TE	Cycle through the choices until "E" displays.
13.		2 TE_	Saves the second character.
14.	 UNTIL	2 TES	Cycle through the choices until "S" displays.
15.		2 TES_	Saves the third character.
16.	 UNTIL	2 TEST	Cycle through the choices until "T" displays.
17.		2 TEST_	Saves the fourth character.
18.	ENTER 	Name Configs TEST	The configuration is renamed TEST.
19.		CONFIG. CONTROL Name Configs	
20.	 UNTIL	CONFIG. CONTROL Save Config.	
21.		Save Config. 1*	

Step	Press	LCD	Notes
22.		Save Config. TEST	TEST now appears as one of configuration choices.
23.	ENTER 	Saving Configuration	
24.	 + 	Save Config. TEST*	Your configuration is saved as TEST.
		ENTER SWITCH LOCKED	Locks the ENTER key.
25.	ON LINE/CLEAR 	ONLINE Ribbon Life 100%	

Now you have the saved configuration for later use if needed.

Optimizing Print Quality

The print quality will vary according to the typeface selected. Both text and barcodes will print using the resolution of the typeface selected.

Optimizing Print Speed

The print speed will vary according to the typeface selected.

Main Menu

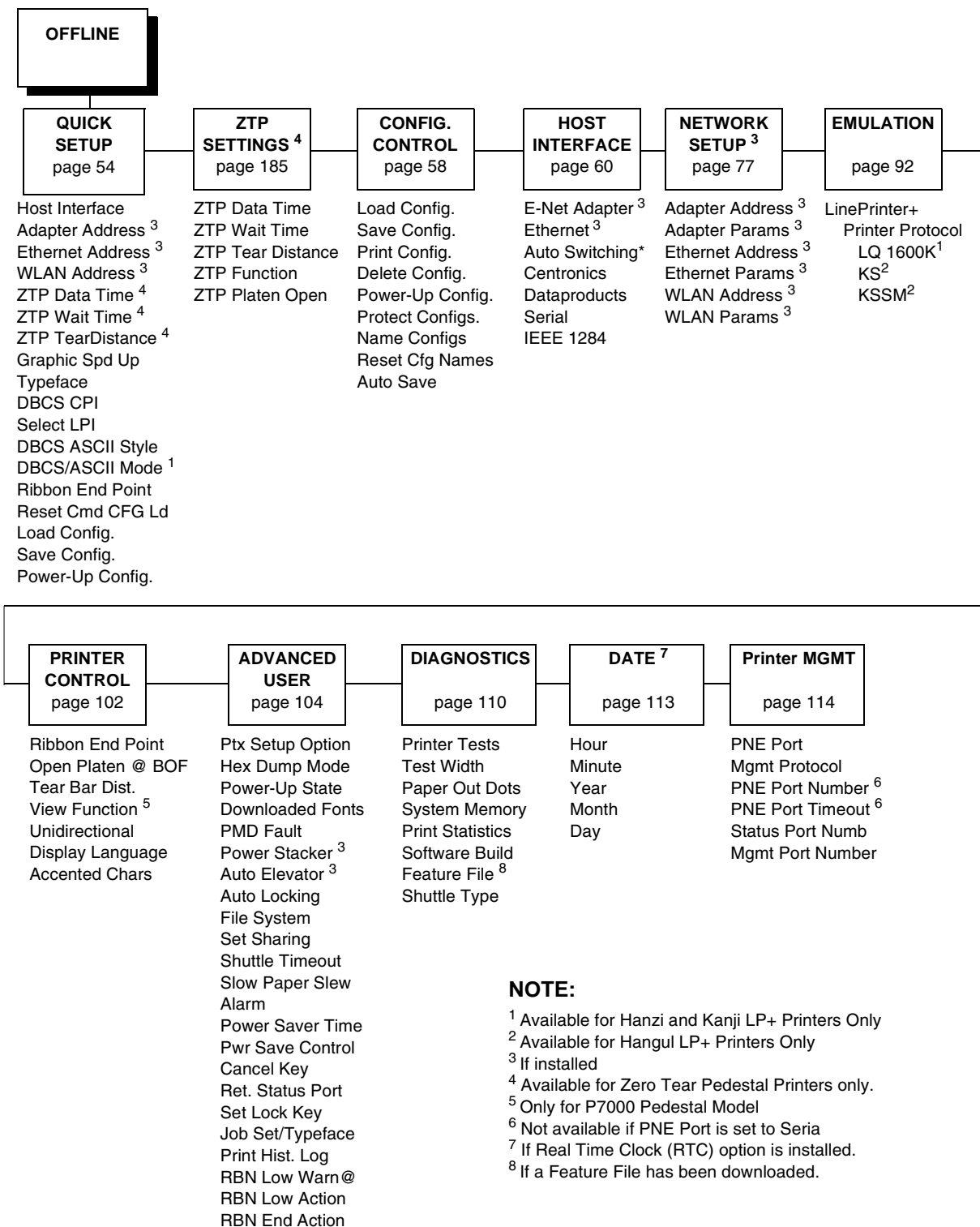


Figure 22. Main Menu Configuration

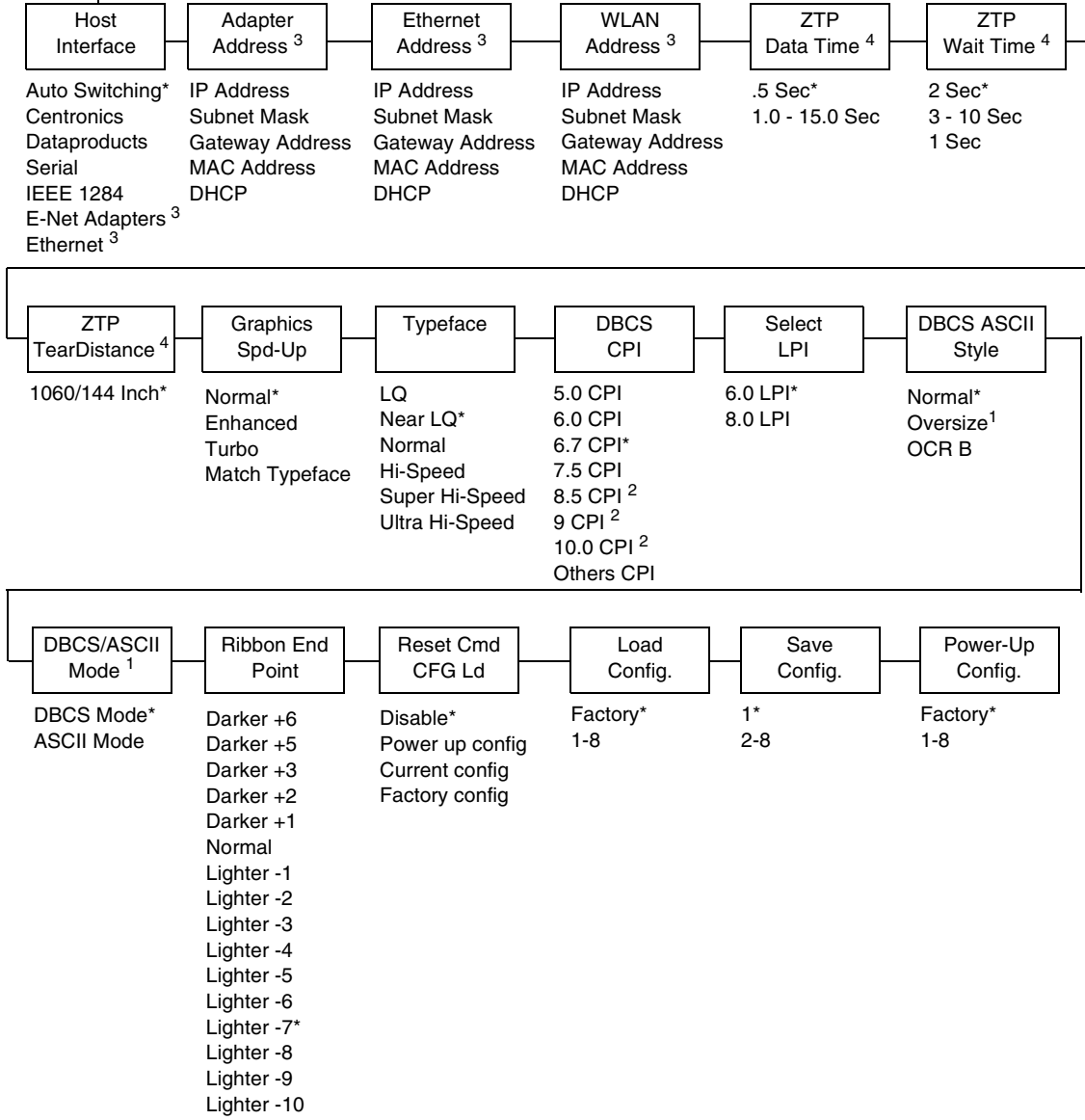
Brief descriptions follow for the first-level configuration menu options:

- **QUICK SETUP** — These options allow quick access to the main printer options used most.
- **ZTP SETTINGS** These options allow you to set parameters for zero tear pedestal printers.
- **CONFIG. CONTROL** — These options allow you to save, print, load, delete, name, and reset entire sets of configuration parameters.
- **HOST INTERFACE** — These options allow you to select either the Serial RS-232, Serial RS-422, Centronics[®] parallel, Data Products parallel, Ethernet[™], IEEE[®] 1284 parallel, or Auto Switching interface for the printer. This menu also allows you to configure several parameters for each interface.
- **NETWORK SETUP** — This option allows you to select from Ethernet Address option and Ethernet Parameters options.
- **EMULATION** — This menu allows you to configure the options which are available for the current operating (active) emulation.
- **PRINTER CONTROL** — These options allow you to select several operating parameters for the printer, such as the speed at which paper will advance when slewing.
- **ADVANCED USER** — These options allow you to select several advanced operating parameters for the printer, such as the speed at which paper will advance when slewing.
- **DIAGNOSTICS** — This menu includes the diagnostic tests, system memory, software build part number, Feature File (if one exists), the shuttle type, and statistics of the printer.
- **DATE** — This menu allows you to set the printer's real time clock. The parameters include hour, minute, year, month, and day.
- **PRINTER MGMT** — These options allow you to select the PNE port type, port number, port timeout period, status port number, and management port number.

QUICK SETUP

QUICK SETUP
(from page 52)

* = Factory Default
 1 Available for Hanzi and Kanji LP+ Printers Only
 2 Available for Hangul LP+ Printers Only
 3 If installed.
 4 Available for Zero Tear Pedestal Printers only.



Host Interface

The Host Interface menu enables you to select and configure interfaces between the printer and your host computer.

Adapter Address

- **IP Address.** A numeric address such as 123.45.61.23 which identifies a printer or server in a LAN or WAN.
- **Subnet Mask.** A binary value used to divide IP networks into smaller subnetworks or subnets. This mask is used to help determine whether IP packets need to be forwarded to other subnets.
- **Gateway Address.** A gateway address is the IP address of a hardware device (gateway) that translates data between two incompatible networks, which can include protocol translation.
- **MAC Address.** This menu item is the Manufacturer's Assigned Number, and is unique for each printer. It is read-only.
- **DHCP.** You can enable/disable the DHCP protocol using this option, but consult your administrator for the appropriate setting.

Ethernet Address

- **IP Address.** A numeric address such as 123.45.61.23 which identifies a printer or server in a LAN or WAN.
- **Subnet Mask.** A binary value used to divide IP networks into smaller subnetworks or subnets. This mask is used to help determine whether IP packets need to be forwarded to other subnets.
- **Gateway Address.** A gateway address is the IP address of a hardware device (gateway) that translates data between two incompatible networks, which can include protocol translation.
- **MAC Address.** This menu item is the Manufacturer's Assigned Number, and is unique for each printer. It is read-only.
- **DHCP.** You can enable/disable the DHCP protocol using this option, but consult your administrator for the appropriate setting.

WLAN Address

- **IP Address.** A numeric address such as 123.45.61.23 which identifies a printer or server in a LAN or WAN.
- **Subnet Mask.** A binary value used to divide IP networks into smaller subnetworks or subnets. This mask is used to help determine whether IP packets need to be forwarded to other subnets.
- **Gateway Address.** A gateway address is the IP address of a hardware device (gateway) that translates data between two incompatible networks, which can include protocol translation.
- **MAC Address.** This menu item is the Manufacturer's Assigned Number, and is unique for each printer. It is read-only.
- **DHCP.** You can enable/disable the DHCP protocol using this option, but consult your administrator for the appropriate setting.

ZTP Data Time

This option sets the pause time in the data stream that the ZTP requires before moving the form to the tear bar once a print job is completed. The values range from .5 to 15 seconds. The default is .5 seconds.

ZTP Wait Time

This option sets the minimum amount of time that the form stays at the tear bar. This allows you time to remove the form before the form is retracted to print the next form. The adjustable values range from 1 to 10 seconds in increments of 1 second. The default value is 2 seconds.

ZTP TearDistance

This option sets the tear off distance from the current print position to the tear bar. Adjustable values in increments of 1/144th of an inch range from 200 to 2880. The up and down arrows adjust the display value. When you press the **Enter** key, the selected value is stored and a scale is printed to indicate the current tear off position. The default value is 1060.

NOTE: When a new value is selected, the printer will lose the current print position. You must reset the top of form to automatically save the new value.

Graphics Spd-Up

This menu is used to increase (speed up) graphic printing speed by turning on Enhanced/Turbo mode. See “Graphics Spd Up” in the Programmer’s Reference manual.

Typeface

Sets the typeface of the printer. This key requires confirmation with the ENTER key.

NOTE: The factory default for the Hanzi GB and Kanji SJIS LP+ is Near LQ. The factory default for the Hangul and Hanzi Big5 LP+ is LQ.

DBCS CPI

Defines the default values for horizontal character spacing in DBCS mode. For the Hanzi and Kanji LP+ printer, select from 5.0, 6.0, 6.7, 7.5, and Others CPI. For the Hangul LP+ printer, selected from 5.0, 6.0, 6.7, 7.5, 8.5, 10, and others CPI.

NOTE: The factory default for the Hanzi LP+ printer is 6.7 cpi. The factory default for the Hangul LP+ printer is 6.0 cpi. The factory default for the Kanji LP+ printer is 7.5 cpi.

Select LPI

Defines the default values for vertical character spacing. The number of lines per inch can be 6.0 or 8.0.

NOTE: The factory default for the Hanzi and Hangul LP+ is 6.0. The factory default for Kanji LP+ is 8.0.

DBCS ASCII Style

This option specifies the appearance of the single-byte numeric characters. For the Hanzi and Kanji LP+ printer, select from Normal, Oversize and OCRB. For the Hangul LP+ printer, select from Normal, and OCRB.

DBCS/ASCII Mode

This option specifies the operating mode of the Hanzi printer. Refer to “Font Attributes” in the *LQ1600K Programmer's Reference Manual* for more information.

NOTE: Available for the Hanzi and Kanji LP+ printers only.

Ribbon End Point

This parameter adjusts the point at which the system will declare the ribbon as being expended. The life count will always be from 100% to 0%, but if a darker setting is selected 0% will be reached more quickly. If a lighter setting is selected, the system will extend the time it takes to reach 0%.

Reset Cmd CFG Ld

When the printer receives a host data stream reset command (ESC @ or ESC[K) in addition to resetting printer variables, the selected configuration will be loaded.

- **Disable** (default). The active emulation parameters are loaded when the reset command is executed.
- **Power-Up Config**. The power-up configuration is loaded when the reset command is executed.
- **Current Config**. The currently selected configuration is loaded when the reset command is executed.
- **Factory Config**. The factory installed configuration is loaded when the reset command is executed.

Load Config.

The printer can store numerous configurations in memory. This parameter allows you to select and load a specific configuration.

Save Config.

This option allows you to save up to eight configurations to meet different print job requirements. This eliminates the need to change the parameter settings for each new job. The configurations are stored in memory and will not be lost if you turn off the printer. If the Protect Configs. parameter is enabled, the new configuration will not be saved unless the existing configuration has been deleted first. The factory default configuration cannot be changed. See “Saving Your New Configuration” on page 46 for details.

Power-Up Config.

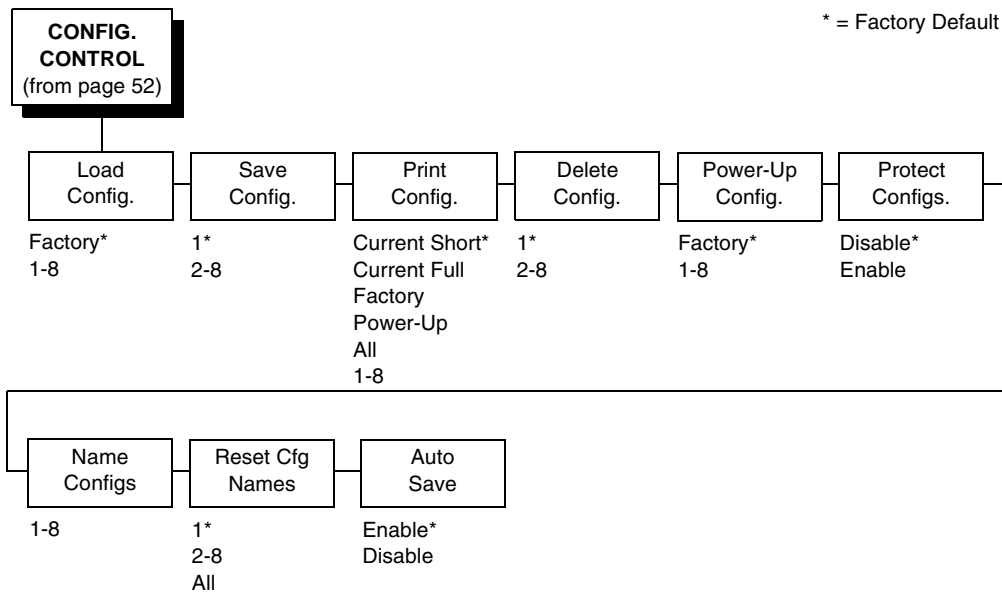
You can specify which of the nine configurations (Factory or 1-8) will be the power-up configuration.

ZTP SETTINGS

See Appendix C, page 177.

CONFIG. CONTROL

The CONFIG. CONTROL menu allows you to control your printer’s configurations according to the specifications necessary for your print jobs.



Load Config.

The printer can store numerous configurations in memory. This parameter allows you to select and load a specific configuration.

Save Config.

This option allows you to save up to eight configurations to meet different print job requirements. This eliminates the need to change the parameter settings for each new job. The configurations are stored in memory and will not be lost if you turn off the printer. If the Protect Configs. parameter is enabled, the new configuration will not be saved unless the existing configuration has been deleted first. The factory default configuration cannot be changed. See “Saving Your New Configuration” on page 46 for details.

Print Config.

This option is used to print a listing of various stored printer configurations. Store printouts of your configurations in a safe place for quick referral.

Delete Config.

You can delete one or all of your eight customized configurations. The factory default configuration cannot be deleted.

Power-Up Config.

You can specify which of the nine configurations (Factory or 1-8) will be the power-up configuration.

Protect Configs.

You can specify whether or not a new configuration should overwrite an existing configuration when you activate the Save Configs. parameter. When disabled (default), the new configuration will overwrite the existing configuration. When enabled, the new configuration will *not* overwrite the existing configuration, and the message “CONFIG. EXISTS / Delete First” displays.

Name Configs

You may specify a 15-character name which can be used to refer to a configuration. The name you enter for a configuration will be used in the Load Config., Save Config., Print Config., Delete Config., and Power-Up Config. menus. The name can only be cleared by using the Reset Cfg Names menu.

When you move into the Name Configs. menu, the top line of the display shows the current configuration name. The second line of the display is initially the same as the top line. You can modify the second line of the display without affecting the top line until the ENTER key is pressed, which sets the modified name.

Press the UP or DOWN (▲ or ▼) keys to cycle through the values available for that character at the cursor location. Press the NEXT (▶) key to move to the next character to be modified. Press the PREV key (◀) to go back to a character you have already modified. Continue until you have entered the name you want to give to this configuration, then press ENTER to save. The name you entered will now represent this configuration on the printer's front panel. To exit this menu without saving, press any key other than the ENTER key. The configuration name will revert to the last saved value.

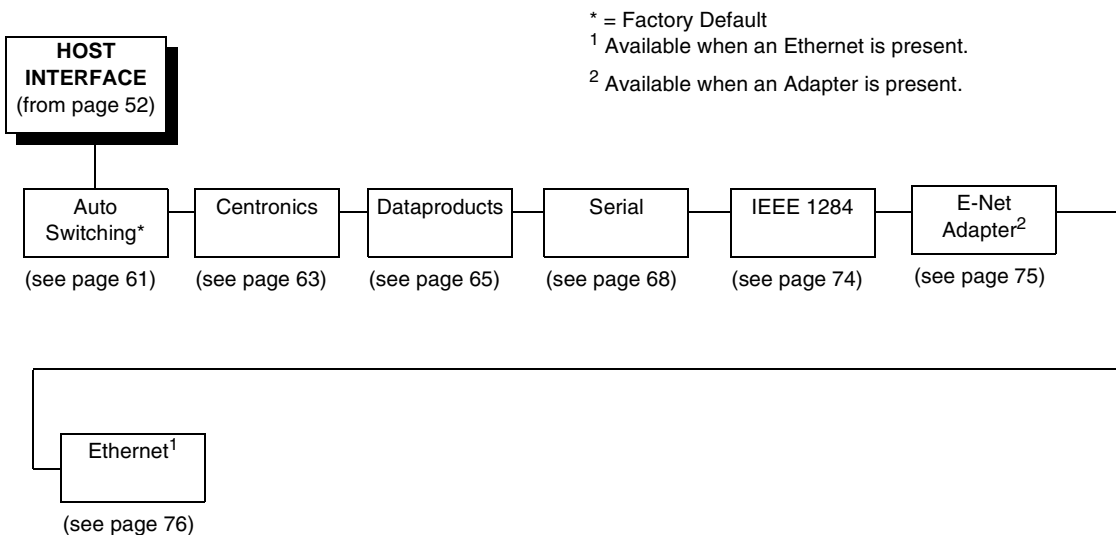
Reset Cfg Names

You can reset specific configuration names back to the default value of the configuration number.

Auto Save

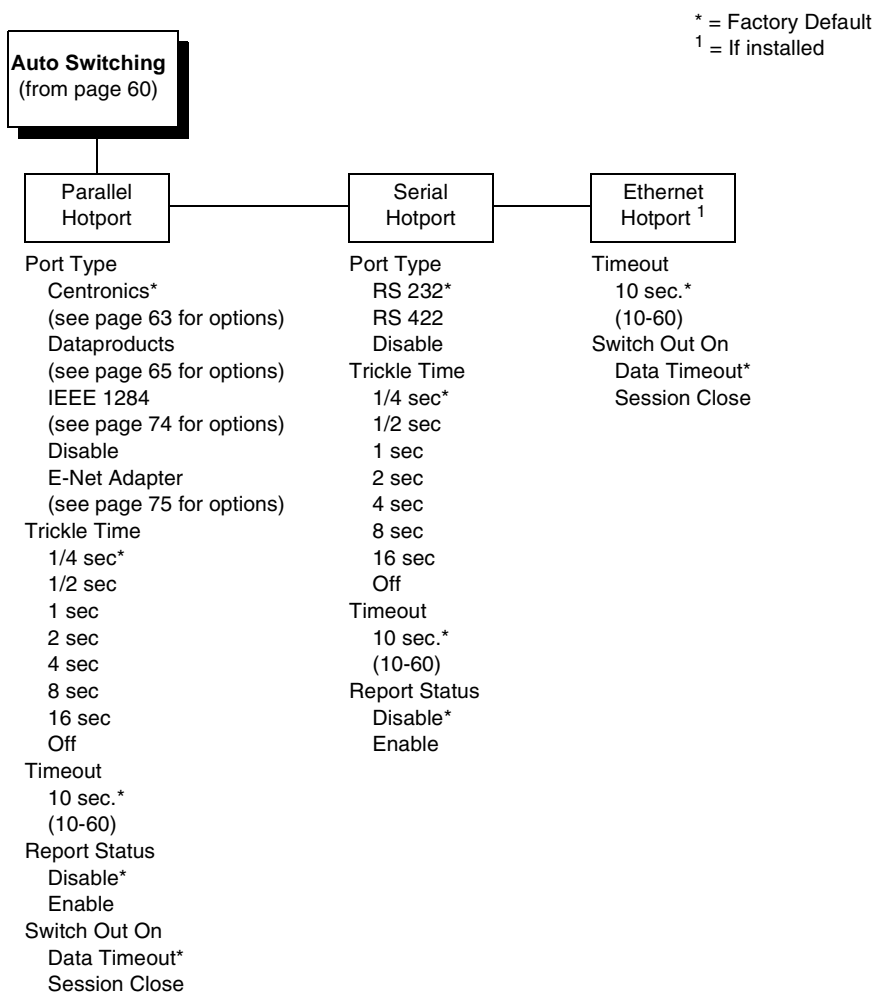
- **Enable** (default). When a change has been made to a configuration menu, this option automatically prompts you to save or not save the change to config #. If you are currently in the Factory Config. menus and make a change, pressing Enter saves to Config 1 or the next available config. and becomes the Power-Up config. If the current config is Config 1 and a menu change is made, pressing Enter will save the change to Config 1.
- **Disable**. The printer will not prompt you to save any changes made.

HOST INTERFACE



The Host Interface Menu enables you to select and configure one of many types of interfaces between the printer and your host computer. The currently selected interface is indicated with an asterisk on the control panel message display. Each interface has its own submenu with a set of interface parameters which can be configured.

Auto Switching Submenu



Auto Switching

Gives the printer the ability to handle multiple data streams sequentially. With Auto Switching, the printer can service hosts attached to the serial, parallel, coax and twinax ports as if they were the only interface connected.

For example, if the host computer sends one print job to the RS-232 serial port and a separate print job to the IEEE 1284 parallel port, the printer's Auto Switching is able to handle both jobs, in the order they were received. The user does not have to reconfigure the selected interface between jobs.

Port Type

Select the types of parallel, serial and/or C/T interfaces which are connected to the printer. For example, if your printer is attached to one host with a Centronics connection and a second host with an RS-422 serial connection, you would select Centronics under the Parallel Hotport menu, RS-422 under the Serial Hotport menu, and Disable under the C/T Hotport menu.

Trickle Time

When the printer is printing data from a host and a second job is received by the printer from a different host, Trickle Time prevents the second host from timing out while it is waiting for its data to be printed. In order to support this feature, the port has to be able to accept data from the host and store it for future use.

For example, if the printer is printing a job from the serial port, and then receives a second print job from the parallel port, the data from the parallel port will “trickle” bit by bit into the printer buffer to prevent a timeout error from being sent back to the host connected to the parallel port.

The selected value is the time that the printer waits before getting the next byte of data from the host. The Trickle Time value should be less than the host time out value, but not too much shorter or else the printer fills up its buffer too fast. This function is not applicable for C/T hotport.

Timeout

This is the value used by the printer to time out from the current port and check the other selected port types for data to print. When the printer has not received data from the host after a certain period of time, it needs to timeout in order to service the other ports.

Report Status

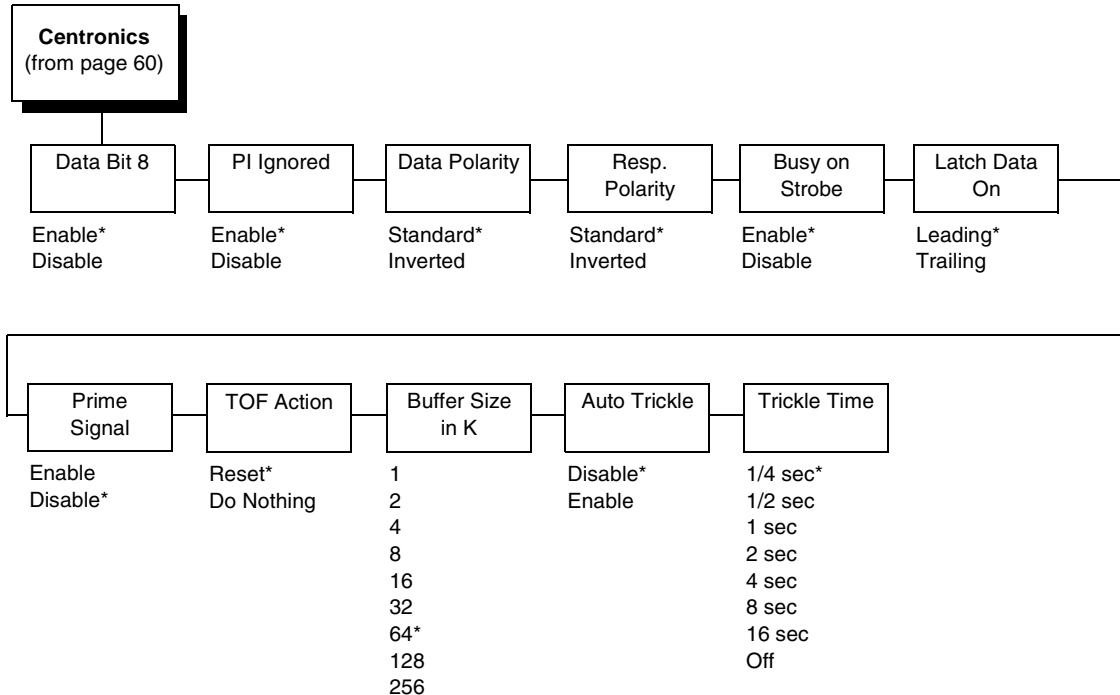
- **Disable** (default). When a fault occurs on the printer, only the active port reports the fault to the host.
- **Enable**. The port will report any fault even when it is not the current active port.

Switch Out On

- **Data Timeout** (default). Allows Autoswitching when no data has been received for the selected Time Out period.
- **Session Close**. Allows Autoswitching only when the Network Socket is closed. If the Ethernet option is not installed the Network Socket is always reported as closed and this menu option is ignored.

Centronics (Parallel) Submenu

* = Factory Default



Data Bit 8

- **Enable** (default). Allows access to the extended ASCII character set.
- **Disable**. The printer interprets bit 8 of each incoming data character as a zero, regardless of its actual setting.

PI Ignored

The PI (Paper Instruction) signal is used to control vertical paper motion.

- **Enable** (default). Ignores the PI signal and treats the data as characters or control codes.
- **Disable**. Causes the printer to interpret the eight data lines as VFU commands when the PI signal is true.

Data Polarity

The Data Polarity parameter must be set to match the data polarity of your host computer.

- **Standard** (default). Does not expect the host computer to invert the data.
- **Inverted**. Expects the data received on the data lines from the host computer to be inverted. Ones become zeros, and vice versa.

Resp. Polarity

The Resp. Polarity parameter must be set to match the response polarity of your host computer.

- **Standard** (default). Does not invert the response signal.
- **Inverted**. Inverts the response signal sent to the host computer.

Busy On Strobe

- **Enable** (default). Asserts a busy signal after each character is received.
- **Disable**. Asserts a busy signal only when the print buffers are full.

Latch Data On

Specifies whether the data is read on the leading or trailing edge of the data strobe signal.

Prime Signal

- **Enable**. The parallel port will perform a warm start (reboot) if the host asserts the prime signal.
- **Disable** (default). The parallel port will not perform a warm start (reboot) if the host asserts the prime signal.

TOF Action

- **Reset** (default). A form feed is performed before a warm start when the prime signal is asserted from the host. This setting is used only if the prime signal parameter is enabled.
- **Do Nothing**. Nothing occurs before a warm start when the prime signal is asserted from the host.

Buffer Size in K

Configures the amount of memory allocated for the Centronics parallel port buffer. You can specify between 1, 2, 4, 8, 16, 32, 64, 128, and 256.

Auto Trickle

Auto Trickle is used to prevent a host computer from timing out because the parallel interface was busy for too long. When Auto Trickle is enabled and the printer's buffers are almost full, the printer will begin to trickle data in (at the rate set in the Trickle Time menu) until the buffers start to empty out.

Trickle Time

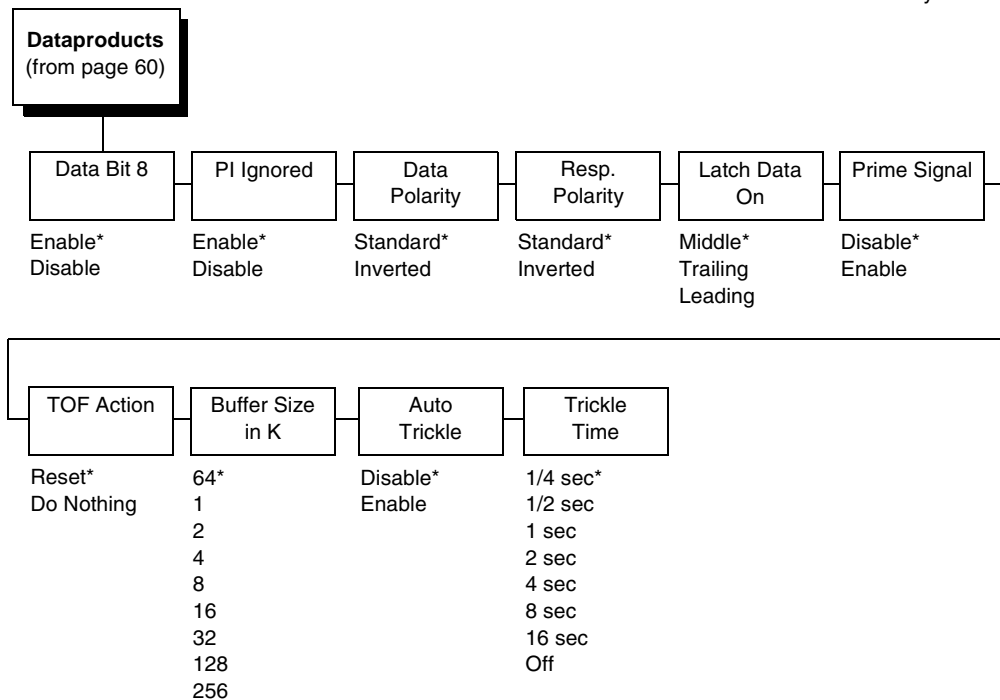
When the printer is printing data from a host and a second job is received by the printer from a different host, Trickle Time prevents the second host from timing out while it is waiting for its data to be printed. In order to support this feature, the port has to be able to accept data from the host and store it for future use.

For example, if the printer is printing a job from the serial port, and then receives a second print job from the parallel port, the data from the parallel port will “trickle” bit by bit into the printer buffer to prevent a timeout error from being sent back to the host connected to the parallel port.

The selected value is the time that the printer waits before getting the next byte of data from the host. The Trickle Time value should be less than the host time out value, but not too much shorter or else the printer fills up its buffer too fast. This function is not applicable for C/T hotport.

Dataproducts Submenu

* = Factory Default



Data Bit 8

- **Enable** (default). Allows access to the extended ASCII character set.
- **Disable**. The printer interprets bit 8 of each incoming data character as a zero, regardless of its actual setting.

PI Ignored

The PI (Paper Instruction) signal is used to control vertical paper motion.

- **Enable** (default). Causes the printer to interpret the eight data lines as DVFU commands when the PI signal is true.
- **Disable**. Ignores the PI signal and treats the data as characters or control codes.

Data Polarity

The Data Polarity parameter must be set to match the data polarity of your host computer.

- **Standard** (default). Does not expect the host computer to invert the data.
- **Inverted**. Expects the data received on the data lines from the host computer to be inverted. Ones become zeros, and zeros become ones.

Resp. Polarity

The Response Polarity parameter must be set to match the response polarity of your host computer.

- **Standard** (default). Does not invert the response signal.
- **Inverted**. Inverts the response signal sent to the host computer.

Latch Data On

Specifies whether the data is read on the leading, middle, or trailing edge of the data strobe signal. The default is Middle.

Prime Signal

- **Disable** (default). The parallel port will not perform a warm start (reboot) if the host asserts the prime signal.
- **Enable**. The parallel port will perform a warm start (reboot) if the host asserts the prime signal.

TOF Action

- **Reset** (default). A form feed is performed before a warm start when the prime signal is asserted from the host. This setting is used only if the prime signal parameter is enabled.
- **Do Nothing**. Nothing occurs before a warm start when the prime signal is asserted from the host.

Buffer Size in K

Configures the amount of memory allocated for the Dataproducts parallel port buffer. You can specify between 1, 2, 4, 8, 16, 32, 64, 128, and 256 Kbytes.

Auto Trickle

Auto Trickle is used to prevent a host computer from timing out because the parallel interface was busy for too long. When Auto Trickle is enabled and the printer's buffers are almost full, the printer will begin to trickle data in (at the rate set in the Trickle Time menu) until the buffers start to empty out.

Trickle Time

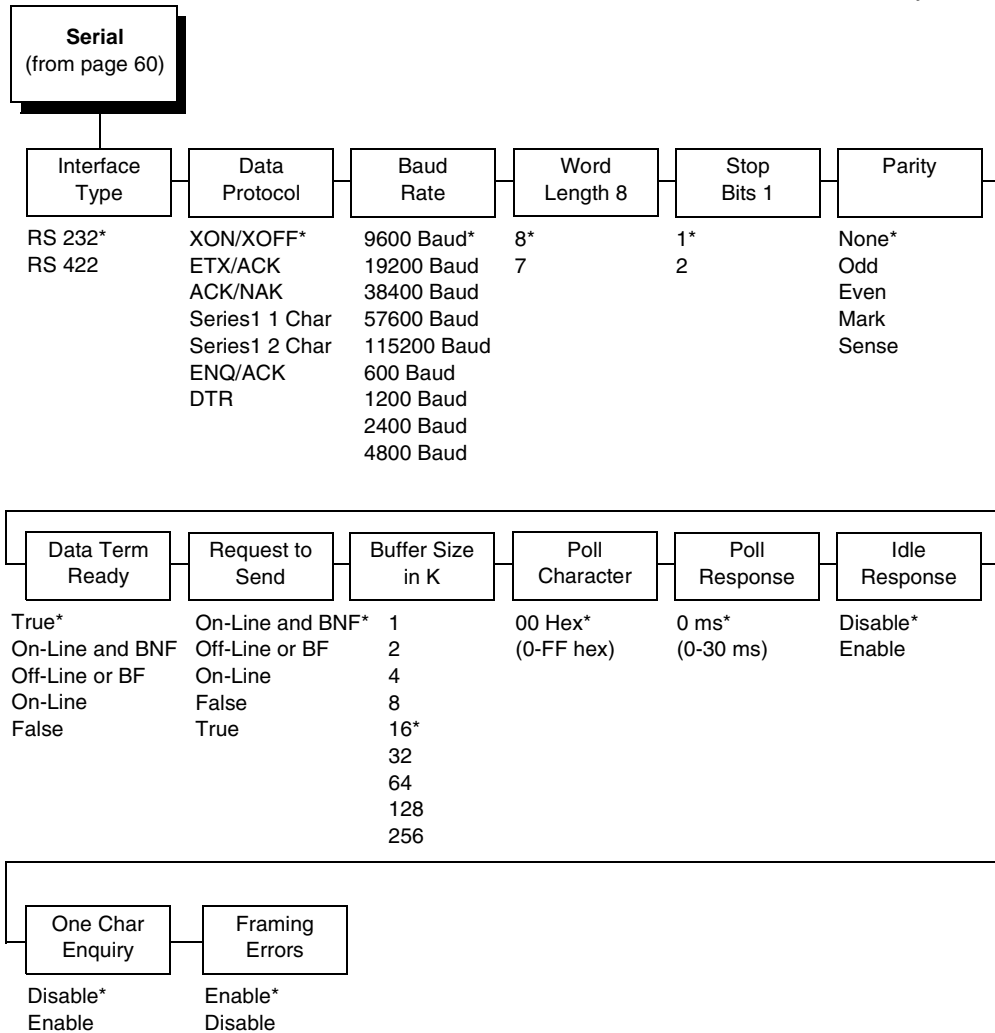
When the printer is printing data from a host and a second job is received by the printer from a different host, Trickle Time prevents the second host from timing out while it is waiting for its data to be printed. In order to support this feature, the port has to be able to accept data from the host and store it for future use.

For example, if the printer is printing a job from the serial port, and then receives a second print job from the parallel port, the data from the parallel port will "trickle" bit by bit into the printer buffer to prevent a timeout error from being sent back to the host connected to the parallel port.

The selected value is the time that the printer waits before getting the next byte of data from the host. The Trickle Time value should be less than the host time out value, but not too much shorter or else the printer fills up its buffer too fast. This function is not applicable for C/T hotport.

Serial Submenu

* = Factory Default



Interface Type

This parameter allows you to select either the RS-232 or RS-422 serial port interface. The default is RS-232.

Data Protocol

You can select one of the following serial interface protocols to meet the host interface requirements.

- **XON / XOFF** (default). The printer controls the flow of communication from the host by turning the transmission on and off. In some situations, such as when the buffer is full or the timing of signals is too slow or too fast, the printer will tell the host to stop transmission by sending an XOFF character. An XOFF character is sent when the number of empty bytes in the buffer is less than or equal to 25 percent of the buffer size. If the host keeps sending data after an XOFF is sent, the printer firmware will continue to send an XOFF for every 16 characters received. When cleared, the printer will resume receiving data (XON). The data does not have any End of Text codes;
XON / XOFF is a non-block protocol.
- **ETX / ACK**. End of Text / Acknowledge. The host controls the flow of communication to the printer by sending a block of data and ending the block with an End of Text (ETX) signal. When the printer receives the ETX signal, it will acknowledge the ETX, thereby acknowledging it has received the entire block of data.
- **ACK / NAK**. ACK means acknowledge; the device acknowledges it has accepted a transmission. NAK means negative acknowledge; the device did not receive the transmission.

SERIES1 1 CHAR. The printer controls the flow of communication from the host by turning the transmission on and off using response characters sent to the host. If the number of valid bytes in the buffer reaches 75 percent of the buffer size, the online or offline and buffer full response character is sent. If the buffer is completely full, an online or offline buffer full response is sent every time a character is sent from the host. Whenever the printer state changes to online or offline, the appropriate response character is sent. If the idle response option is enabled, the printer will send a response character every two seconds while the number of valid bytes in the buffer is less than 75 percent of the buffer size. If a poll character is received (configurable from the Poll Character xx Hex option on the front panel from hex 0 through FF), the printer will send a response character *n* milliseconds later (configurable from the Poll Character xx MS on the front panel from 0 through 30). This *n* milliseconds is called the poll delay. The poll character will be removed from the input data stream and will not be processed. This may cause problems with the transmission of binary data (e.g., control codes, bit image, etc.). If a poll delay is started due to the receipt of a poll character and another poll character is received, the second poll character has no effect and is removed from the input data stream. If a transition (from buffer full to empty or online to offline) occurs during a poll delay, the new printer state will be sent at the end of the poll delay.

The response characters are described in Table 2.

Table 2. Series1 1 Char Response Characters

Printer State	Response
Online and Buffer Empty	CR
Online and Buffer Full	3
Offline and Buffer Empty	0
Offline and Buffer Full	2

- **SERIES1 2 CHAR.** This protocol behaves exactly the same as the Series1 Char except there is a two-character response to the host. The response characters are described in Table 3.

Table 3. Series1 2 Char Response Characters

Printer State	Response
Online and Buffer Empty	1 CR
Online and Buffer Full	3 CR
Offline and Buffer Empty	0 CR
Offline and Buffer Full	2 CR

- **ENQ / ACK.** ENQ selects odd dot plot mode to print dots in odd numbered dot columns for normal density plotting. It defines certain data between the next and last paper motion commands as odd dot plot data. ACK selects line spacing of 1/8" or 7/72" for current line only.
- **DTR.** The printer controls the data flow by sending this hardware signal to the host. If there is enough room in the printer buffer, the printer will send a high signal; if the buffer is full, the printer will send a low signal. DTR tells the host if it is safe to send more data. (If the host sends data during an unsafe condition, data will be lost.) DTR is not available when RS-422 is selected.

Baud Rate

Sets the baud rate of the serial interface in the printer. Baud rate is the speed at which serial data is transferred between the host computer and the printer. The choices for the RS-232 and RS-422 interfaces are 600, 1200, 2400, 4800, 9600, 19200, 38400, 57600, and 115200 Baud. The default is 9600 Baud.

NOTE: If you select a baud rate that is greater than 19200, you may need to use RS-422 or select a lower baud rate to prevent data loss. You also may need to increase the Buffer Size in K parameter from the default (16 Kbyte) to improve performance.

Word Length

Sets the length of the serial data word. The length of the data word can be set to 7 or 8 bits, and must match the corresponding data bits setting in the host computer.

Stop Bits 1

Sets the number of stop bits in the serial data word. Either one or two stop bits can be selected. The setting must match the corresponding stop bit setting in the host computer.

Parity

Set for odd parity, even parity, mark, sense, or no parity. The setting must match the corresponding parity setting in the host computer.

Data Term Ready

This configuration is part of hardware flow control and determines when the Data Terminal Ready (DTR) signal is generated. This signal indicates if the printer is ready to receive data.

- **True** (default). Continuously asserts the DTR signal.
- **On Line and BNF (buffer not full)**. Asserts the DTR signal when the printer is online and the internal serial buffer is not full.
- **Off Line or BF (buffer full)**. Asserts the DTR signal when the printer is offline or the internal serial buffer is full.
- **On Line**. Asserts the DTR signal when the printer is online.
- **False**. Never asserts the DTR signal.

Request To Send

This configuration is part of hardware flow control and determines when the Request to Send (RTS) signal is generated. This signal indicates whether or not the printer is ready to receive data.

- **On Line and BNF** (default). Asserts the RTS signal when the printer is online and the internal serial buffer is not full.
- **Off Line or BF**. Asserts the RTS signal when the printer is offline or the internal serial buffer is full.
- **On Line**. Asserts the RTS signal when the printer is online.
- **False**. Never asserts the RTS signal.
- **True**. Continuously asserts the RTS signal.

Buffer Size in K

This option configures the amount of memory allocated for the serial port buffer. You may specify between 1, 2, 4, 8, 16, 32, 64, 128, and 256.

NOTE: If you select a baud rate that is 19200 or greater, you may need to increase the Buffer Size in K to improve performance.

Poll Character

This option is for the Series1 protocol. Whenever the printer receives this character, it sends a response to the host indicating the current state of the printer (see Series1 protocol). It may be configured from 0 through FF hexadecimal.

Poll Response

This option is for the Series1 protocol. After receiving a poll character, the printer will wait the poll response time in milliseconds before sending the response. It may be configured from 0 through 30.

Idle Response

This option is for the Series1 protocol.

- **Disable** (default)
- **Enable**. The printer will send a response character every two seconds while the number of valid bytes in the buffer is less than 75 percent of the buffer size.

One Char Enquiry

The One Char Enquiry mode uses the Poll Character to detect a request from the host and sends a response back to the host. This option also allows you to turn on and off this feature.

Table 4. One Char Enquiry Response Characters

Printer State	Response (hex)
Online and Buffer Not Full	22
Online and Buffer Full	23
Offline and Buffer Not Full	20
Offline and Buffer Full	21

The Poll Character is removed from the data stream. If the Data Protocol is set to ETX/ACK, ACK/NAK, or Series 1, One Char Enquiry is automatically disabled.

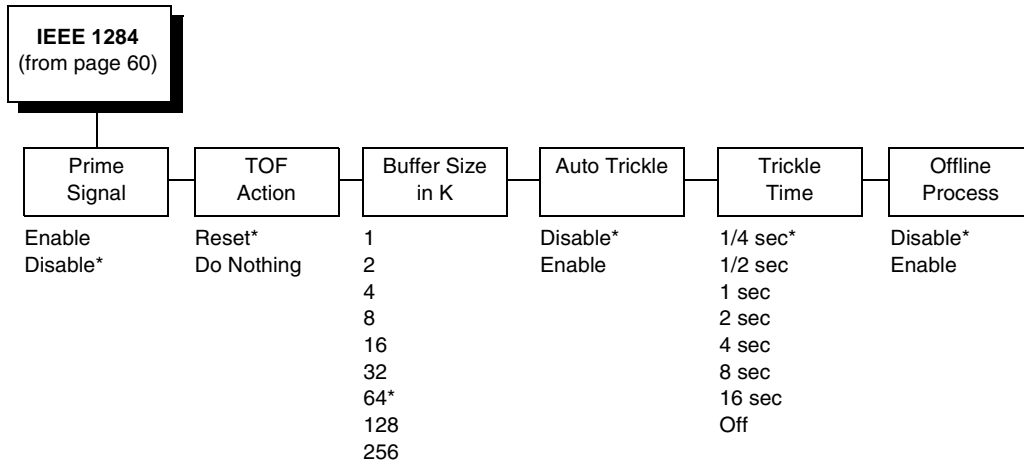
Framing Errors

Possible errors that can occur when the printer's serial interface settings do not match those of the host computer.

- **Enable** (default). If a framing error occurs, a fault message will display on the control panel.
- **Disable**. If a framing error occurs, a fault message will not display on the control panel.

IEEE 1284 Parallel (Bidirectional) Submenu

* = Factory Default



The IEEE 1284 interface is faster and more versatile than Centronics and supports bidirectional communication. Configuration of this interface is controlled from the host. Refer to *IEEE 1284 Παραλληλ Ιντερφαχε ΟΝ παγε 117* more details about the available modes (Compatibility, Nibble, and Byte).

Prime Signal

- **Disable** (default). The parallel port will not perform a warm start (reboot) if the host asserts the prime signal.
- **Enable**. The parallel port will perform a warm start (reboot) if the host asserts the prime signal.

TOF Action

- **Reset** (default). A form feed is performed before a warm start when the prime signal is asserted from the host. This setting is used only if the prime signal parameter is enabled.
- **Do Nothing**. Nothing occurs before a warm start when the prime signal is asserted from the host.

Buffer Size in K

This option configures the amount of memory allocated for the IEEE 1284 parallel port buffer. You can specify between 1, 2, 4, 8, 16, 32, 64, 128, and 256 Kbytes. The default is 64 K.

Auto Trickle

Auto Trickle is used to prevent a host computer from timing out because the parallel interface was busy for too long. When Auto Trickle is enabled and the printer's buffers are almost full, the printer will begin to trickle data in (at the rate set in the Trickle Time menu) until the buffers start to empty out.

Trickle Time

When the printer is printing data from a host and a second job is received by the printer from a different host, Trickle Time prevents the second host from timing out while it is waiting for its data to be printed. In order to support this feature, the port has to be able to accept data from the host and store it for future use.

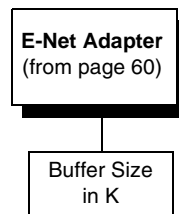
For example, if the printer is printing a job from the serial port, and then receives a second print job from the parallel port, the data from the parallel port will “trickle” bit by bit into the printer buffer to prevent a timeout error from being sent back to the host connected to the parallel port.

The selected value is the time that the printer waits before getting the next byte of data from the host. The Trickle Time value should be less than the host time out value, but not too much shorter or else the printer fills up its buffer too fast. This function is not applicable for C/T hotport.

Offline Process

- Disable (the default). When set to disable, the printer does not process parallel/network data while offline.
- Enable. When set to enable, the printer continues to process (but not print) the current network/parallel job while the printer is offline until the printer's buffer is full.

E-Net Adapter Submenu



64*
1
2
4
8
16
32
128
256

* = Factory Default

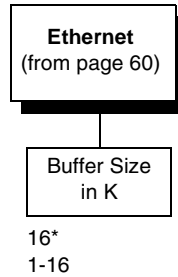
The E-Net Adapter interface allows you to locate the printer on a LAN rather than attach the host directly into the printer. The detailed configuration of this option is given in the *Network Interface Card User's Manual*.

Buffer Size in K

This option configures the amount of memory allocated for the Ethernet buffer. You can specify between 1, 2, 4, 8, 16, 32, 128, and 256 Kbytes. The default is 64 Kbytes.

Ethernet Submenu

* = Factory Default

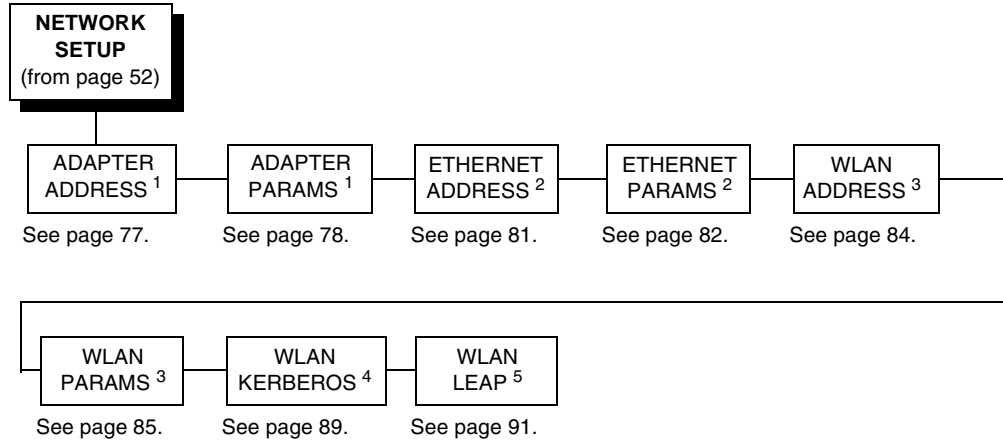


The Ethernet interface allows you to locate the printer on a LAN rather than attach the host directly into the printer. The detailed configuration of this option is given in the *Network Interface Card User's Manual*.

Buffer Size in K

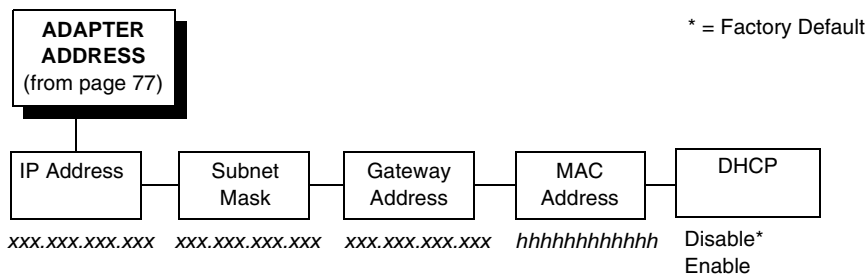
This option configures the amount of memory allocated for the Ethernet buffer. You can specify between 1 and 16 Kbytes, in 1-Kbyte increments. The default is 16 Kbytes.

NETWORK SETUP MENU



- ¹ Only if the Ethernet Adapter feature is installed.
- ² Only if the Integrated Ethernet feature is installed.
- ³ Only if the Wireless Adapter feature is installed.
- ⁴ Only if a Symbol radio card is installed.
- ⁵ Only if a Cisco radio card is installed.

ADAPTER ADDRESS



IP Address

A numeric address such as 123.45.61.23 which identifies a printer or server in a LAN or WAN.

Subnet Mask

A binary value used to divide IP networks into smaller subnetworks or subnets. This mask is used to help determine whether IP packets need to be forwarded to other subnets.

Gateway Address

A gateway address is the IP address of a hardware device (gateway) that translates data between two incompatible networks, which can include protocol translation.

MAC Address

This menu item is the Manufacturer's Assigned Number, and is unique for each printer. It is read-only.

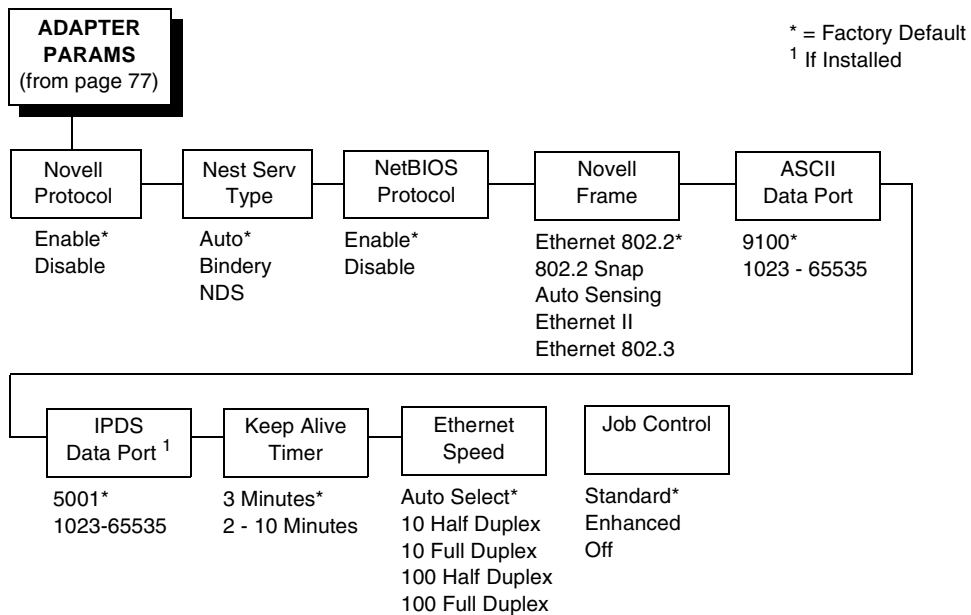
DHCP

You can enable/disable the DHCP protocol using this option, but consult your administrator for the appropriate setting.

The options include:

- **Disable** (default)
- **Enable**.

ADAPTER PARAMS



You may enable or disable the Novell or NetBIOS Protocols within this menu, as well as selecting which Novell Frame scheme to use in processing Novell signals. See the Novell chapter in the *Network Interface Card User's Manual* for more details.

Novell Protocol

This option determines whether the Novell protocol will be available. The selections are as indicated below:

- **Enable** (default). Makes the Novell protocol available with the ethernet installed.
- **Disable**. Makes the Novell protocol unavailable during printer operation.

Nest Serv Type

You can change the Nest Server using this option, but consult your administrator for the appropriate setting.

The options are Auto (default), Bindery, and NDS.

NetBIOS Protocol

This option determines whether the NetBIOS protocol will be available. The selections are as indicated below:

- **Enable** (default). Makes the NetBIOS protocol available with the ethernet installed.
- **Disable**. Makes the NetBIOS protocol unavailable during printer operation.

Novell Frame

This selection determines which framing scheme will be used in processing Novell signals.

- **Ethernet 802.2** (default)
- **802.2 Snap**
- **Auto Sensing**
- **Ethernet II**
- **Ethernet 802.3**

ASCII Data Port

This option sets the port number for ASCII print jobs. The data port number needs to match your host system setting.

- **9100** (default)
- **1023 - 65535**

IPDS Data Port

This option allows you to set the port number for IPDS print jobs only if the IPDS option is installed.

The range is 0 - 5000, and the factory default is 5001.

Keep Alive Timer

This is the time that the Keep Alive Timer will run. With the Keep Alive Timer on, the tcp connection will stay connected even after the print job has terminated.

- **3 Minutes** (default)
- **2 - 10 Minutes**

Ethernet Speed

This menu option only appears if a 10/100Base-T network interface card (NIC) is installed. The Ethernet Speed menu allows compatibility with different systems and networks. The factory default is Auto Select.

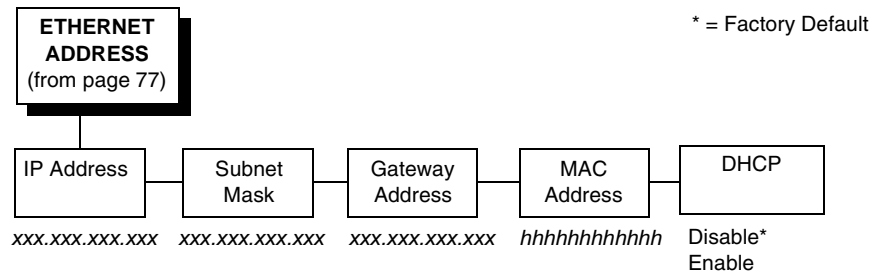
- **Auto Select.** (default) This setting tells the 10/100Base-T NIC to perform an auto detection scheme and configure itself to be 10 Half Duplex, 10 Full Duplex, 100 Half Duplex, or 100 Full Duplex.
- **10 Half Duplex.** Tells the 10/100Base-T NIC to communicate at 10 Megabits per second using half duplex.
- **10 Full Duplex.** Tells the 10/100Base-T NIC to communicate at 10 Megabits per second using full duplex.
- **100 Half Duplex.** Tells the 10/100Base-T NIC to communicate at 100 Megabits per second using half duplex.
- **100 Full Duplex.** Tells the 10/100Base-T NIC to communicate at 100 Megabits per second using full duplex.

Job Control

The job control mode has three options:

- **Standard** (default). The NIC waits for the printer to finish receiving the current job before sending another job. The status line shows “done” when the job is completely received by the NIC. This is the default.
- **Enhanced.** The NIC waits for the printer to finish receiving the current job before sending another job. The status line shows “done” when the job is fully printed.
- **Off.** No job synchronization between the NIC and the printer.

ETHERNET ADDRESS



IP Address

A numeric address such as 123.45.61.23 which identifies a printer or server in a LAN or WAN.

Subnet Mask

A binary value used to divide IP networks into smaller subnetworks or subnets. This mask is used to help determine whether IP packets need to be forwarded to other subnets.

Gateway Address

A gateway address is the IP address of a hardware device (gateway) that translates data between two incompatible networks, which can include protocol translation.

MAC Address

This menu item is the Manufacturer's Assigned Number, and is unique for each printer. It is read-only.

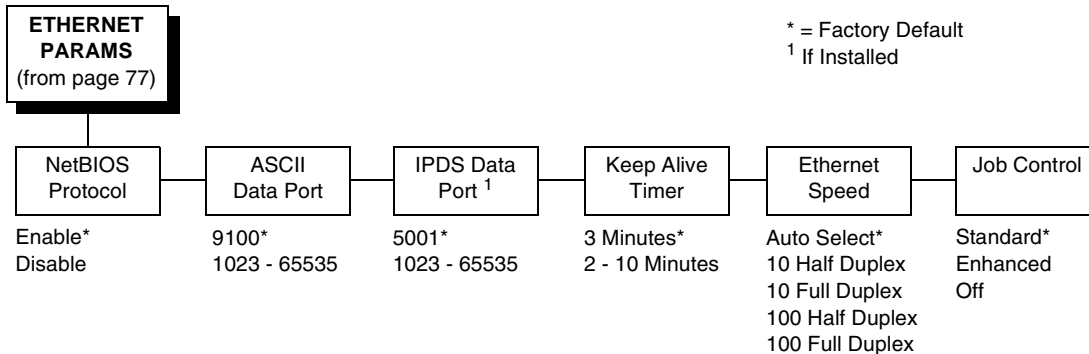
DHCP

You can enable/disable the DHCP protocol using this option, but consult your administrator for the appropriate setting.

The options include:

- **Disable** (default)
- **Enable**.

ETHERNET PARAMS



The ETHERNET PARAMS menu helps your printer communicate on a network.

For information on assigning the IP Address, Gateway Address, Subnet Mask, and MAC Address, refer to the *Network Interface Card User's Manual*.

NetBIOS Protocol

This option determines whether the NetBIOS protocol will be available. The selections are as indicated below:

- **Enable** (default). Makes the NetBIOS protocol available with the ethernet installed.
- **Disable**. Makes the NetBIOS protocol unavailable during printer operation.

ASCII Data Port

This option sets the port number for ASCII print jobs. The data port number needs to match your host system setting.

- **9100** (default)
- **1023 - 65535**

IPDS Data Port

This option allows you to set the port number for IPDS print jobs only if the IPDS option is installed.

The range is 1023 - 65535, and the factory default is 5001.

Keep Alive Timer

This is the time that the Keep Alive Timer will run. With the Keep Alive Timer on, the tcp connection will stay connected even after the print job has terminated.

- **3 Minutes** (default)
- **2 - 10 Minutes**

Ethernet Speed

This menu option only appears if a 10/100Base-T network interface card (NIC) is installed. The Ethernet Speed menu allows compatibility with different systems and networks. The factory default is Auto Select.

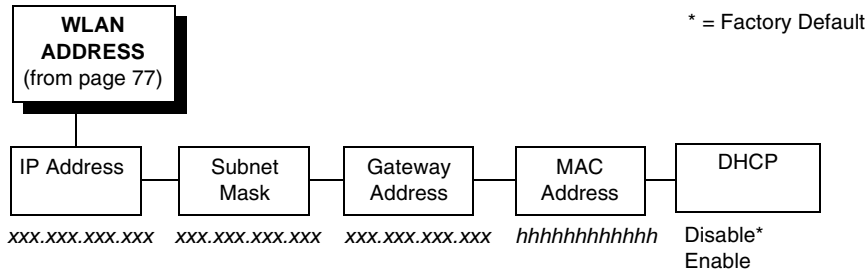
- **Auto Select.** (default) This setting tells the 10/100Base-T NIC to perform an auto detection scheme and configure itself to be 10 Half Duplex, 10 Full Duplex, 100 Half Duplex, or 100 Full Duplex.
- **10 Half Duplex.** Tells the 10/100Base-T NIC to communicate at 10 Megabits per second using half duplex.
- **10 Full Duplex.** Tells the 10/100Base-T NIC to communicate at 10 Megabits per second using full duplex.
- **100 Half Duplex.** Tells the 10/100Base-T NIC to communicate at 100 Megabits per second using half duplex.
- **100 Full Duplex.** Tells the 10/100Base-T NIC to communicate at 100 Megabits per second using full duplex.

Job Control

The job control mode has three options:

- **Standard** (default). The NIC waits for the printer to finish receiving the current job before sending another job. The status line shows “done” when the job is completely received by the NIC. This is the default.
- **Enhanced.** The NIC waits for the printer to finish receiving the current job before sending another job. The status line shows “done” when the job is fully printed.
- **Off.** No job synchronization between the NIC and the printer.

WLAN ADDRESS



IP Address

A numeric address such as 123.45.61.23 which identifies a printer or server in a LAN or WAN.

Subnet Mask

A binary value used to divide IP networks into smaller subnetworks or subnets. This mask is used to help determine whether IP packets need to be forwarded to other subnets.

Gateway Address

A gateway address is the IP address of a hardware device (gateway) that translates data between two incompatible networks, which can include protocol translation.

MAC Address

This menu item is the Manufacturer's Assigned Number, and is unique for each printer. It is read-only.

DHCP

You can enable/disable the DHCP protocol using this option, but consult your administrator for the appropriate setting.

The options include:

- **Disable** (default)
- **Enable**.

WLAN PARAMS

* = Factory Default

¹ Only when 40 Bits is selected

² Only when 128 Bits is selected

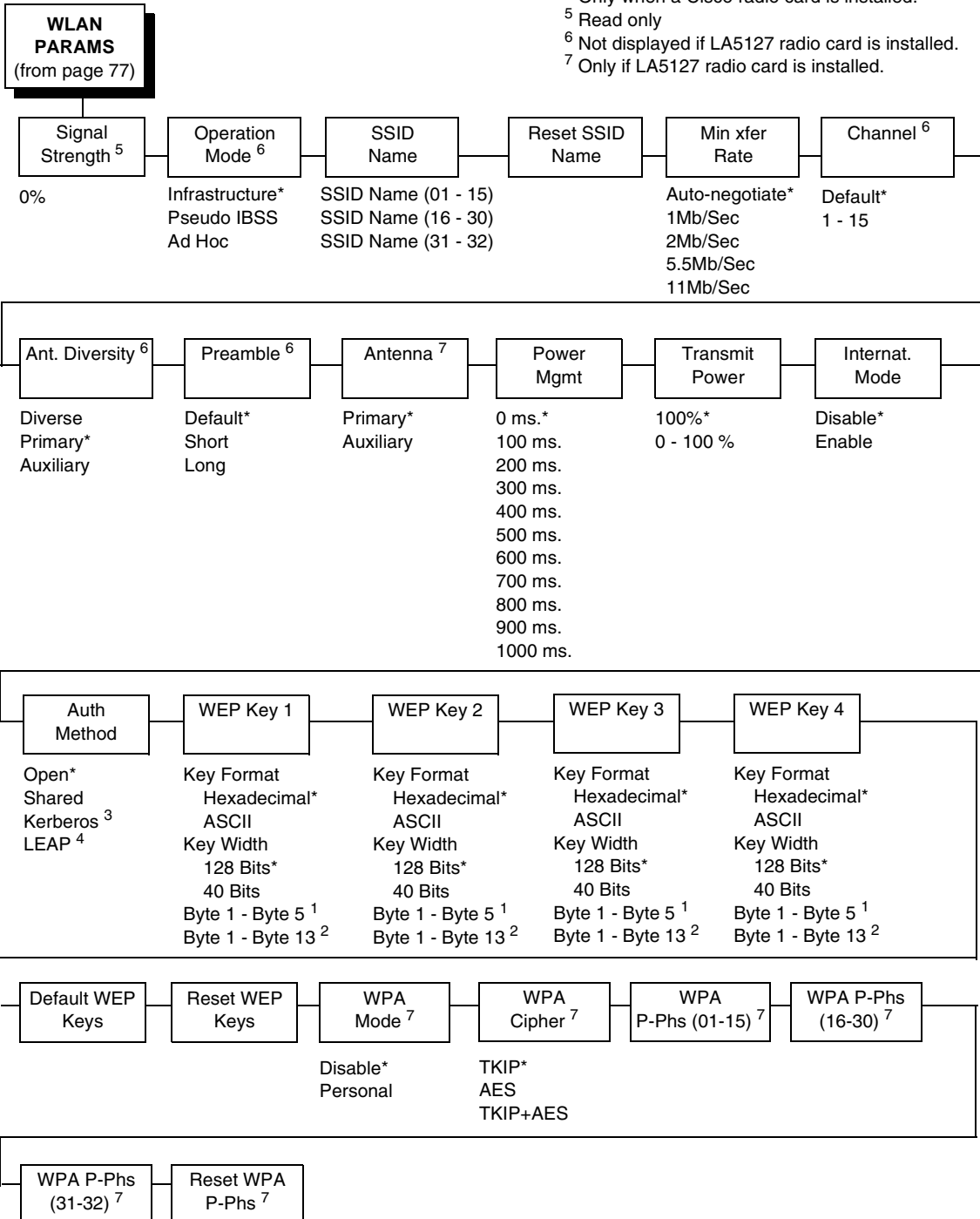
³ Only when a Symbol radio card is installed.

⁴ Only when a Cisco radio card is installed.

⁵ Read only

⁶ Not displayed if LA5127 radio card is installed.

⁷ Only if LA5127 radio card is installed.



Signal Strength

This menu displays the strength of the wireless signal.

NOTE: This is a display value only and cannot be changed.

Operation Mode

Allows you to select the way the Wireless option communicates:

- **Infrastructure** (default). The Wireless option must go through a server.
- **Pseudo IBSS**. Proprietary, peer-to-peer communication (without a server). The two peers must be specific to one manufacturer.
- **Ad Hoc**. Standard, peer-to-peer communication (without a server). The two peers can be from different manufacturers.

SSID Name

A 1 - 32 character, case sensitive string that identifies the group the printer talks to.

NOTE: The SSID name may be edited in three parts (1-15), (16-30), and (31-32).

For each part of the SSID name, press the MICRO UP or MICRO DOWN keys to cycle through the values available for that character at the cursor location. Press the SCROLL UP key to move to the next character to be modified. Press the SCROLL DOWN key to go back to the name you want to give to this SSID name, then press ENTER to save. The name you entered will now represent this SSID name on the printer's front panel. To exit this menu without saving, press any key other than the ENTER key. The SSID name will revert to the last saved value.

Reset SSID Name

Allows you to reset the SSID name.

Min Xfer Rate

Allows you to set the minimum speed at which the Wireless Option will accept a connection (in million bits per second). The options are:

- **Auto-negotiate** (default)
- **1Mb/Sec.**
- **2Mb/Sec.**
- **5.5Mb/Sec**
- **11Mb/Sec**

Channel

Allows you to select the RF channel. The options are Default (the factory default) and 1-15.

Ant. Diversity

The type of antenna used:

- **Diverse.** Select when you want to use the antenna with the best reception.
- **Primary** (default). Select when you want to use the Primary antenna on the server.
- **Auxiliary.** Select when you want to use the Auxiliary antenna on the server.

Preamble

The length of the preamble in transmit packets.

- **Default.** The Wireless option automatically determines the length.
- **Short.** For newer printers which can handle higher transfer rate speeds.
- **Long.** For older printers which cannot handle higher transfer rate speeds.

Antenna

- **Primary** (default). Select when you want to use the primary antenna on the RF card.
- **Auxiliary.** Select when you want to use the Auxiliary antenna on the RF card.

Power Mgmt

This allows you to set power-save mode and sleep time. A value specifying the sleep time in milliseconds will be provided. If set to zero, power-save mode will be disabled. The range includes:

- **0 ms.** (default)
- **100 ms. - 1000 ms.**

Transmit Power

The power level as a percentage of full power (0 - 100%).

Internat. Mode

When enabled, the Wireless option adapts to international frequency requirements in Europe. The options include:

- **Disable** (default)
- **Enable**

Auth Method

This feature allows the user to select the authentication method used for the wireless network interface.

- **Open** (the default). Selects open authentication.
- **Shared**. Selects shared key authentication.
- **Kerberos**. Selects Kerberos authentication (for use when a Symbol RF card is installed).
- **LEAP**. Selects LEAP authentication (for use with a Cisco RF card installed).

WEP Key 1 Through WEP Key 4

- **WEP Key Format**. Allows you to format the WEP keys in ASCII or hexadecimal code. The default is hexadecimal.
- **WEP Key Width**. This is the encryption strength. The options are 40 Bits and 128 Bits; 40 Bits are weaker and 128 Bits are stronger.

NOTE: If you select 40 Bits, the WEP key BYTE6 through WEP Key BYTE13 menus will not display.

The default is 128 Bits.

- **WEP Key BYTE1 through BYTE13**. These are the individual characters of the encryption key.

Default WEP Key

This feature enables you to encrypt (scramble) information for security purposes. With this feature, you can set up to four encryption keys, in either ASCII or hexadecimal format, and in either 40 or 128 bits. (The more bits you choose, the more difficult it will be to decode the information.)

NOTE: None of the WEP Key Configuration menus display on the configuration printout.

Reset WEP Keys

Allows you to reset all four WEP keys (WEP Key 1 through WEP Key 4) at one time.

WPA Mode

Selects the WPA wireless security mode.

- **Disable** (the default). WPA security is disabled.
- **Personal**. Selects personal or pre-shared key mode for WPA security.

WPA Cipher

Selects the WPA wireless security cipher setting. Options include:

- **TKIP** (the default)
- **AES**
- **TKIP+AES**

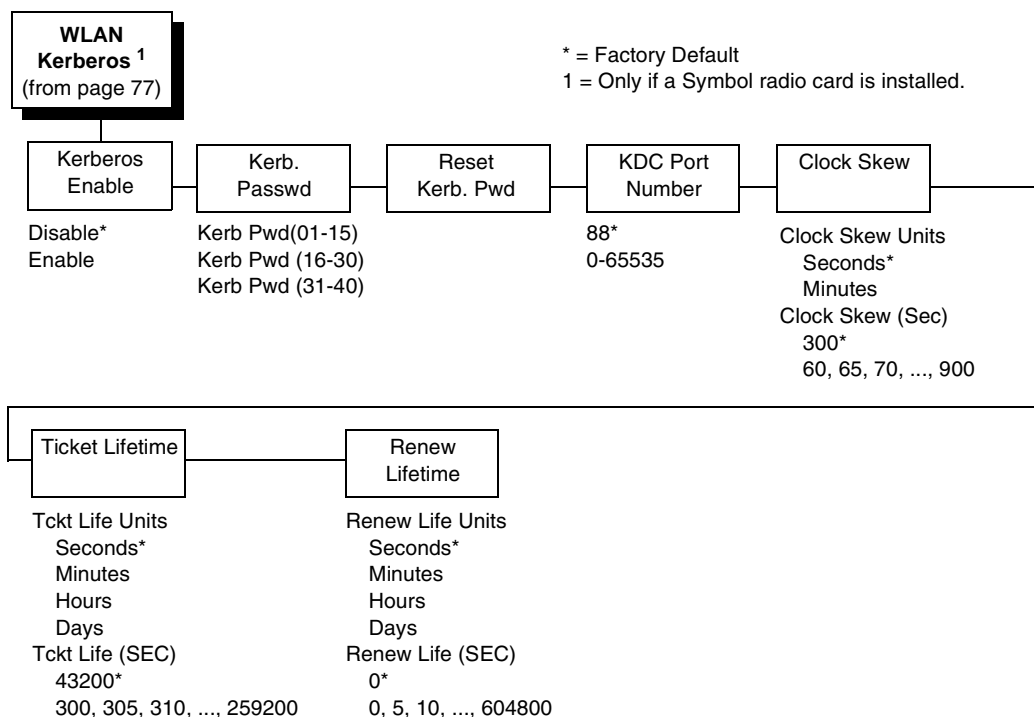
WPA P-Phs

Allows you to set the individual bytes of the WPA passphrase.

Reset WPA P-Phs

Allows you to reset all 32 bytes of the WPA passphrase at once.

WLAN KERBEROS



Kerberos Enable

- **Disable** (the default). Disables Kerberos authentication in the wireless network interface.
- **Enable**. Enables Kerberos authentication in the wireless network interface.

Kerb. Passwd

- **Kerb. Pwd (01-15)**. The first 15 characters of the Kerberos password (maximum number of characters is 40).
- **Kerb. Pwd (16-30)**. Characters 16 to 30 of the Kerberos password (maximum number of characters is 40).
- **Kerb. Pwd (31-40)**. Characters 31 to 40 of the Kerberos password (maximum number of characters is 40).

Reset Kerb. Pwd

Resets the Kerberos password to an empty string.

KDC Port Number

KDC (Key Distribution Center) port number is the 2-byte UDP/TCP port used for Kerberos Communication.

The range is 0-65535, and the factory default is 88.

Clock Skew

Sets the maximum allowable amount of time in seconds or minutes that Kerberos authentication will tolerate before assuming that a Kerberos message is valid. The range for Seconds is 60-900, and the default is 300. The range for Minutes is 1-15, and the default is 5.

Ticket Lifetime

Sets the maximum allowable amount of time in Seconds, Minutes, Hours, or Days that a ticket obtained from the Kerberos server is valid before getting a new one.

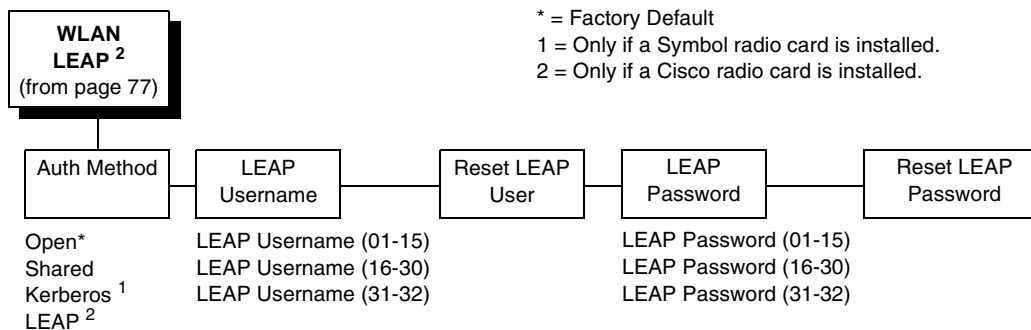
- **Seconds**. The range is 300-259200, and the default is 43200.
- **Minutes**. The range is 5-4320, and the default is 720.
- **Hours**. The range is 1-72, and the default is 12.
- **Days**. The range is 1-3, and the default is 1.
- **Tckt Life (SEC)**. The ticket lifetime unit in seconds. The default is 43200.

Renew Lifetime

Sets the maximum allowable amount of time in Seconds, Minutes, Hours, or Days before warning that a new Kerberos password is needed.

- **Seconds**. The range is 0-604800, and the default is 0.
- **Minutes**. The range is 0-10080, and the default is 0.
- **Hours**. The range is 1-168, and the default is 0.
- **Days**. The range is 0-7, and the default is 0.
- **Renew Life (SEC)**. Renew lifetime unit in seconds. The default is 0.

WLAN LEAP



Auth Method

This feature allows the user to select the authentication method used for the wireless network interface.

- **Open** (the default). Selects open authentication.
- **Shared**. Selects shared key authentication.
- **Kerberos**. Selects Kerberos authentication (for use when a Symbol RF card is installed).
- **LEAP**. Selects LEAP authentication (for use with a Cisco RF card installed).

LEAP Username

- **LEAP Username (01-15)**. The first 15 characters of the LEAP user name (maximum number of characters is 32).
- **LEAP Username (16-30)**. Characters 16 to 30 of the LEAP user name (maximum number of characters is 32).
- **LEAP User (31-32)**. Characters 31 to 32 of the LEAP user name (maximum number of characters is 32).

Reset LEAP User

Resets the LEAP user name to an empty string.

LEAP Password

- **LEAP Password (01-15)**. The first 15 characters of the LEAP password (maximum number of characters is 32).
- **LEAP Password (16-30)**. Characters 16 to 30 of the LEAP password (maximum number of characters is 32).
- **LEAP Password (31-32)**. Characters 31 to 32 of the LEAP password (maximum number of characters is 32).

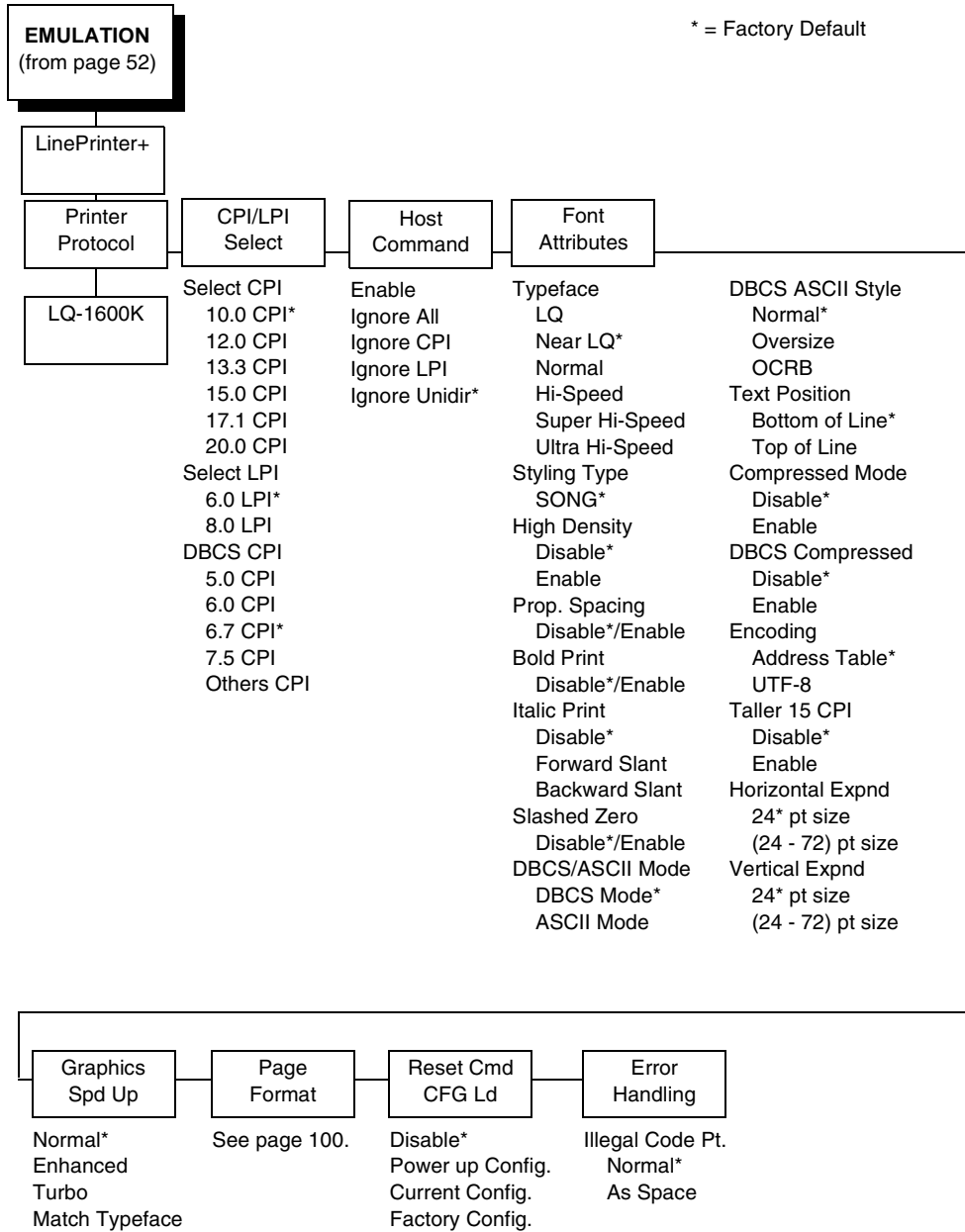
Reset LEAP Password

Resets the LEAP password to an empty string.

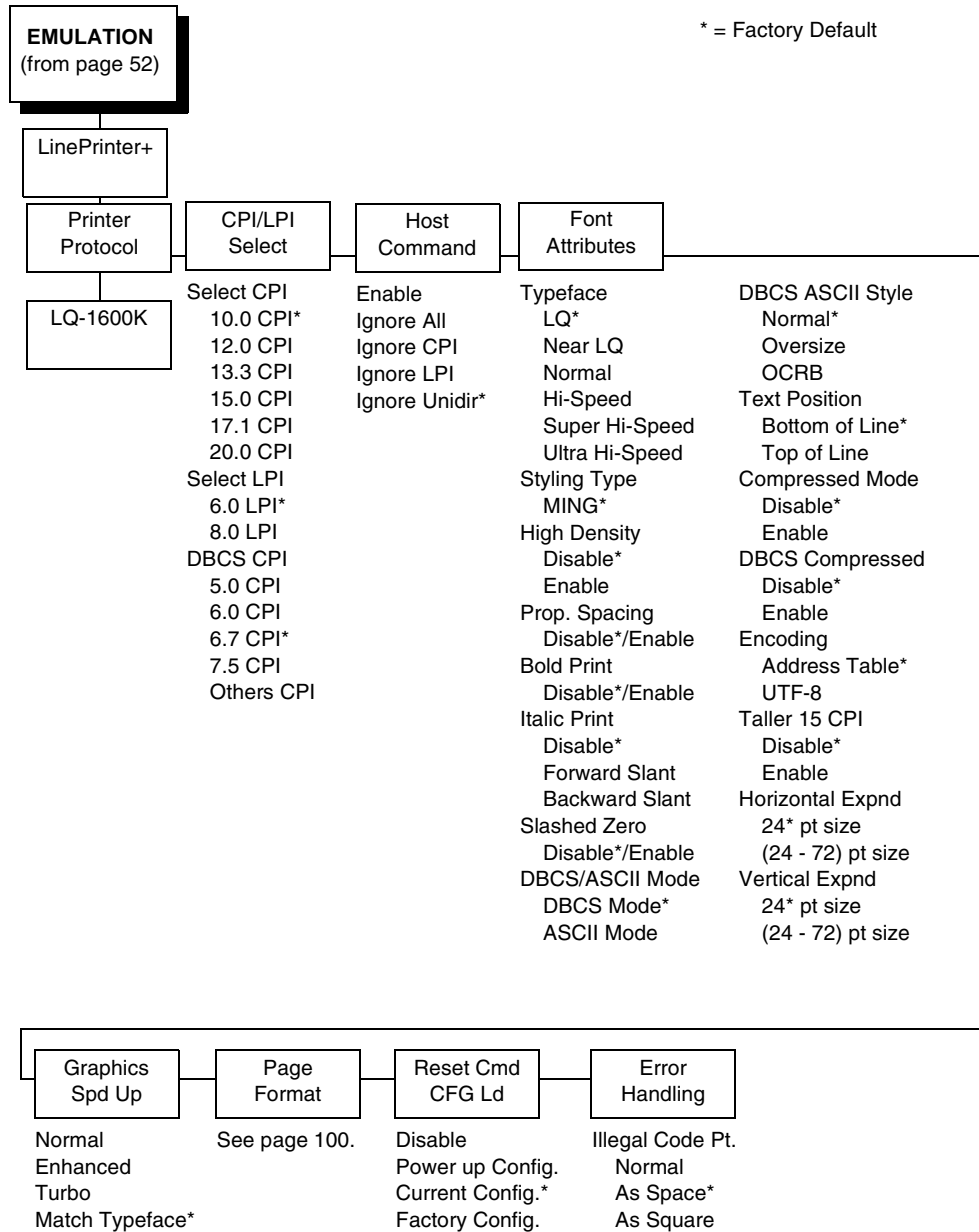
EMULATION

The EMULATION menu allows you to select the emulation to be used with your printer. You can configure options for the active emulation via the EMULATION menu. Emulation options are further described in their corresponding Programmer's Reference Manual.

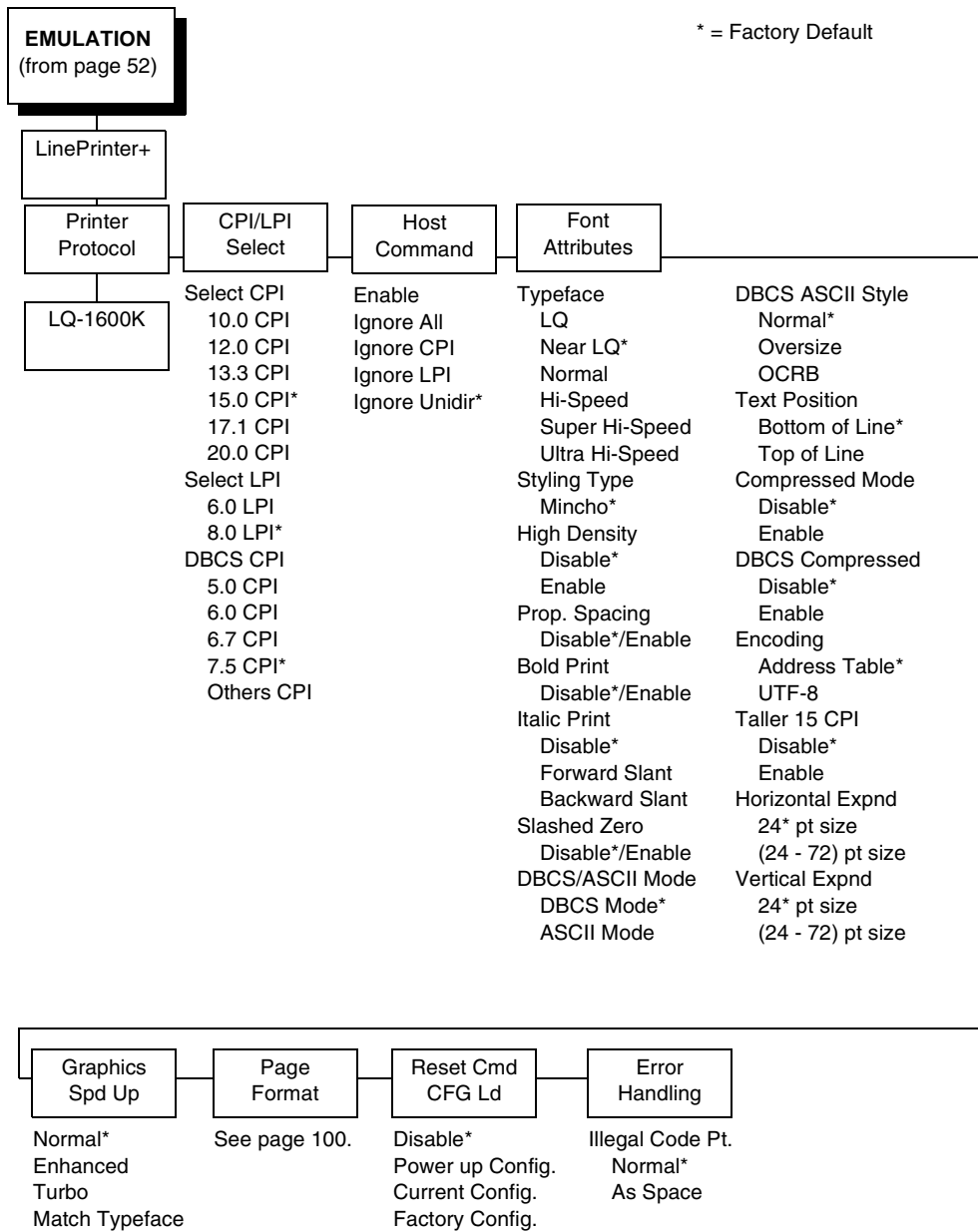
Hanzi GB LP+ Emulation



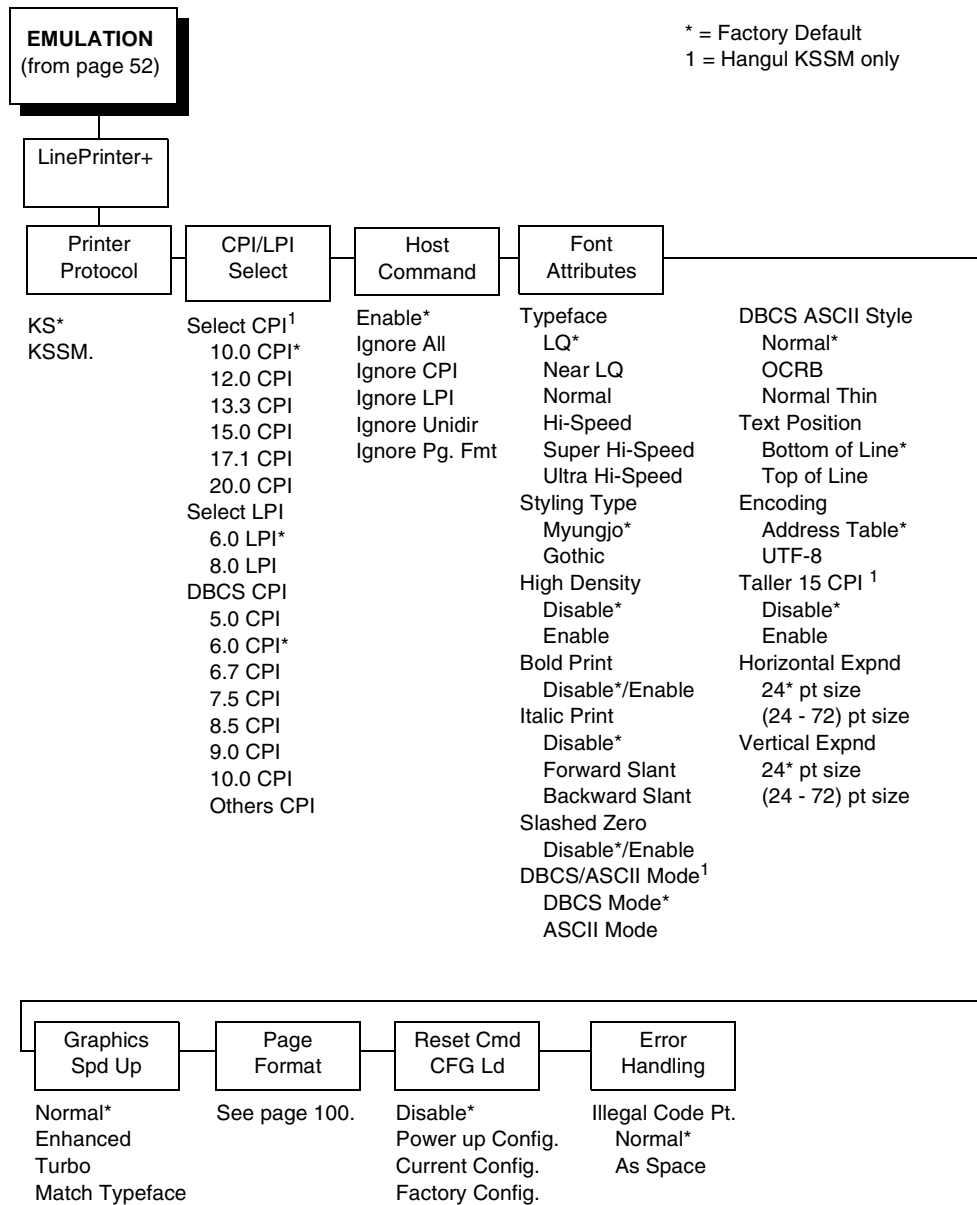
Hanzi Big5 LP+ Emulation



Kanji LP+ Emulation



Hangul LP+ Emulation



Printer Protocol

For the Hanzi/Kanji LP+ printer, refer to the the LQ-1600K Programmer's Reference Manual for details. For the Hangul LP+ printer, refer to the KS or KSSM Programmer's Reference Manual for details.

CPI/LPI Select

This parameter lets you specify the characters per inch (cpi) and lines per inch (lpi) values. The defaults are 10 cpi, 6 lpi, and 6.7 cpi for the Hanzi LP+ printer. For the Hangul LP+ printer, the default is 6 cpi and 6 lpi. For the Kanji LP+ printer, the default is 15 cpi, 8 lpi, and 7.5 cpi.

Host Command

- **Enable.** Enables all host printing commands.
- **Ignore All.** This function ignores all host commands.
- **Ignore CPI.** This function ignores the CPI selection commands only (e.g., ESC M, ESC P, and ESC g).
- **Ignore LPI.** This function ignores the LPI selection commands only (e.g., ESC 2 and ESC 0).
- **Ignore Unidirectional** (the default). All unidirectional commands sent by the host are ignored by the printer.
- **Ignore Pg. Fmt.** All page format commands sent by the host are ignored by the printer. This is applicable only for Hangul LP+ printers only.

Font Attributes

Typeface

This parameter allows you to select the typeface for printing in the emulation.

- **LQ.** Default value for Hanzi Big5/Hangul.
- **Near LQ.** Default value for Hanzi GB/Kanji printer.
- **Normal.**
- **Hi-Speed**
- **Super Hi-Speed**
- **Ultra Hi-Speed**

Styling Typeface

- **SONG.** Only for Hanzi GB printer.
- **MING.** Only for Hanzi Big5 printer.
- **Mincho.** Only for Kanji printer.
- **Myungjo, Gothic.** Only for Hangul printer. Myungjo is the default value.

High Density

- **Disable** (default)
- **Enable.** Allows the LQ typeface to print in higher print density, and it will not take effect when other typefaces are selected.

Prop. Spacing

Each printed character is contained inside a character cell. The width of the character cell includes the character and the space around the character. This parameter only works in ASCII mode. This is not applicable for Hangul printer.

- **Disable** (default). Each character cell is printed with the same width.
- **Enable**. The width of each character cell varies with the width of the character.

Bold Print

- **Disable** (default). Text is printed normally.
- **Enable**. Text is printed with a heavy line thickness.

Italic Print

- **Disable** (default). Text is printed normally.
- **Forward Slant**. Text is printed with a forward slant.
- **Backward Slant**. Text is printed with a backward slant.

Slashed Zero

This parameter allows you to print the number “0” with or without the slash.

- **Disable** (default). Zero is printed without a slash.
- **Enable**. Zero is printed with a slash.

DBCS/ASCII Mode

- **DBCS Mode** (default). The printer is in DBCS mode. It can print double-byte characters as well as a limited number of single-byte characters.
- **ASCII Mode**. The printer is in ASCII mode. It can only print single-byte characters.

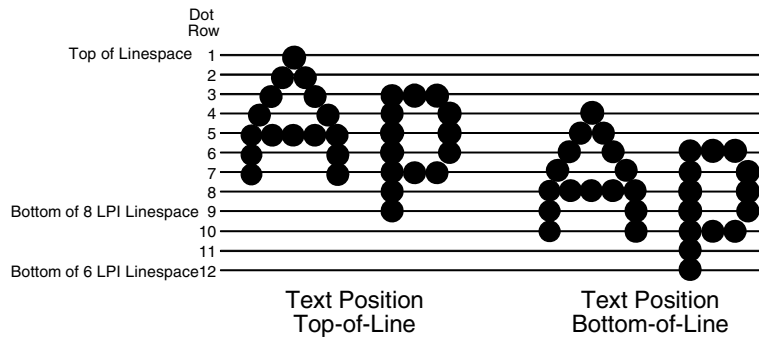
DBCS ASCII Style

This parameter allows you to specify the appearance of the single-byte alphanumeric characters in DBCS mode.

- **Normal** (default).
- **Oversize**. The alphanumeric characters will appear larger than normal single-byte characters. For example, the appearance of character “8” will be changed to “8”.
- **OCRB**. The alphanumeric characters will print in OCRB style. It only takes effect on LQ typeface for Hanzi/Kanji printer.
- **Normal Thin**. The alphanumeric characters will be slightly thinner compared with Normal style. This is only applicable for Hangul printer.

Text Position

Specifies where the text will be positioned in the line space. When set to Top of Line, text will be positioned at the top of the line space. When set to Bottom of Line, the text will be positioned as if it was at the bottom of a 6 lpi line space. The following example shows both Top-of-Line and Bottom-of-Line text positions:



Compressed Mode

This parameter allows you to specify the appearance of ASCII/DBCS characters in ASCII mode. It is not applicable for Hangul printer.

- **Disable** (default)
- **Enable.** Prints out ASCII mode ASCII characters and half-width DBCS characters.

DBCS Compressed

This parameter allows you to specify the appearance of ASCII/DBCS characters in DBCS mode. It is not applicable for Hangul printer.

- **Disable** (default)
- **Enable.** Both the DBCS and ASCII characters will be printed as half-width of their original size.

Encoding

- **Address Table** (default). Specifies the address table supported.
 - GB18030** is for Hanzi GB printer.
 - BIG5** (default), **CNS**, **TCA**, **ETEN**, **IBM5550**, **TELETEXT**, **BIG5+**, **BIG5E**, and **HKSCS** are for Hanzi Big5 printer.
 - KSC5601** is for Hangul printer.
 - Shift-JIS** is for Kanji printer.
- **UTF-8.** The printer takes in UTF-8 data stream and prints out according to Unicode format.

Taller 15 CPI

This parameter allows you to specify the appearance of ASCII characters as 15 CPI in ASCII mode.

- **Disable** (default). The characters in 15 CPI appear shorter than other CPIs such as 10 CPI.
- **Enable**. The height of 15 CPI characters is the same as other CPIs such as 10 CPI.

Horizontal Expnd

This parameter allows you to specify dot character horizontal expansion for both ASCII and DBCS characters in DBCS mode.

Vertical Expnd

This parameter allows you to specify dot character vertical expansion for both ASCII and DBCS characters in DBCS mode.

Graphics Spd Up

This menu is used to increase (speed up) graphic printing speed by turning on the Enhanced/Turbo mode.

- **Normal** (the default). The printer prints at the given input graphics resolution.
- **Enhanced**. The printer provides first-level speed up, which means the speed is faster than Normal mode.
- **Turbo**. The printer provides second-level speed up, which means the speed is faster than Enhanced mode.
- **Match Typeface**. The input 180x180 dpi graphics resolution will drop-dot to the resolution which matches the typeface selected.

Page Format

See page 100.

Reset Cmd CFG Ld

When the printer receives a host data stream reset command (ESC @) in addition to resetting printer variables, the power-up configuration will be loaded.

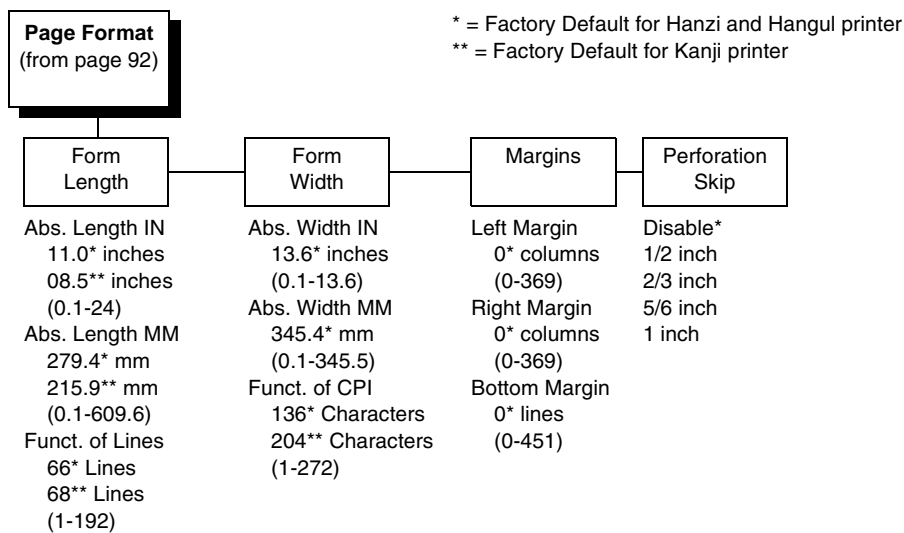
- **Disable** (the default). The active emulation parameters are loaded when the reset command is executed.
- **Power-Up Config**. The power-up configuration is loaded when the reset command is executed.
- **Current Config**. The currently selected configuration is loaded when the reset command is executed.
- **Factory Config**. The factory installed configuration is loaded when the reset command is executed.

Error Handling

This command determines the way illegal DBCS characters are processed:

- **Normal** (the default). Will ignore illegal DBCS characters.
- **As Space**. Will insert two space characters (0X20, 0X20) when the data stream contains the illegal DBCS character.
- **As Square**. Will insert a black square (0xA1BD) when the data stream contains the illegal DBCS character. This is applicable for the Hanzi Big5 build only.

Page Format Submenu



Page Format

Form Length.

Forms length is the number of lines that can be printed on a page. You can set the form length in inches, millimeters (mm), or as a function of the current lpi (lines per inch).

Form Width

The form width can be specified in inches, millimeters, or as a function of the current cpi (characters per inch). The forms width set should not exceed the actual paper width.

Margins

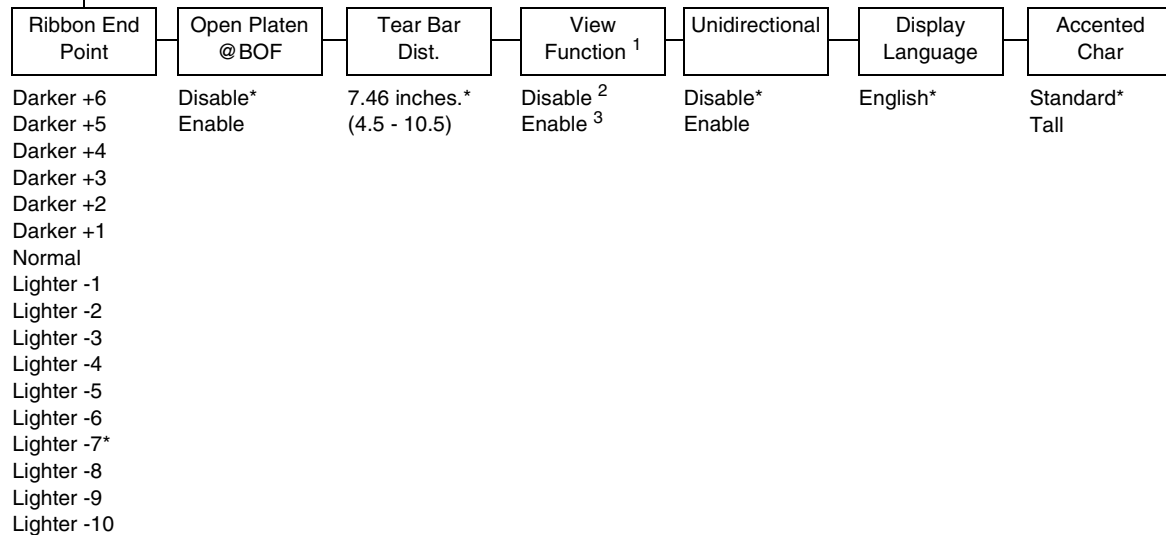
- **Left Margin.** Set in columns. Column zero is defined as the far left edge of the page, and column numbering increments from left to right.
- **Right Margin.** Set in columns. Column zero is defined as the far right edge of the page, and column numbering increments from right to left.
- **Bottom Margin.** Defined in lines, starting from line zero at the bottom of the page and incrementing from the bottom up.

Perforation Skip

- **Disable** (default). Allows printing on page perforation.
- **1/2 inch, 2/3 inch, 5/6 inch, or 1 inch.** For example, a skip-over margin of 1 inch allows a 1 inch margin at the bottom of the page.

PRINTER CONTROL

PRINTER CONTROL (from page 52)



* = Factory Default

¹ Available only for P7000 pedestal model

² Factory default for Hanzi GB/Kanji/Hangul printer.

³ Factory default for Hanzi Big5 printer.

Ribbon End Point

This parameter adjusts the point at which the system will declare the ribbon as being expended. The life count will always be from 100% to 0%, but if a darker setting is selected 0% will be reached more quickly. If a lighter setting is selected, the system will extend the time it takes to reach 0%. The range of values are as follows:

- **Normal**
- **Darker +1 through Darker +6**
- **Lighter -1 through Lighter -10**
(Lighter -7 is the default)

NOTE: This value can be adjusted at any time and the display will automatically adjust to show the correct percentage relative to the new end point.

Open Platen @ BOF (Bottom of Form)

Some special forms have perforation areas that are too thick to pass through the print station. This parameter, when enabled, opens and closes the platen when the perforations move across the platen. When enabling this parameter, you must set the forms length to match the physical distance between perforations.

Tear Bar Dist. (Distance)

Allows fine and course adjustment of the tear bar position. For a pedestal model printer using the top paper exit, the default (7.46 inches) is used. You can specify 4.5 to 10.5 inches in .01 inch increments to accommodate variations in cover and form design.

View Function

- **Disable.** Disables the View Function which allows you to press the VIEW/EJECT key to move the last data printed to the tractor area for viewing. Default value for Hanzi Gb/Kanji/Hangul printer.
- **Enable.** Enables the View Function. Default value for Hanzi Big5 printer.

Unidirectional

The Unidirectional feature affects both print quality and printing speed. By setting this feature, you can configure the printer to print in both directions of the shuttle sweep (bidirectional), or to print in one direction only (unidirectional).

- **Disable** (default). The printer will print all data in both directions of the shuttle sweep (bidirectional printing). This choice produces higher printing speed.
- **Enable.** The printer will print all data in only one direction of the shuttle sweep (unidirectional printing). Although enabling this feature reduces print speed, it enhances the vertical alignment of dots and produces cleaner, sharper barcodes and text.

Display Language

This parameter chooses the language that will appear on the LCD: English.

Accented Char

Selects whether the accented characters are standard or tall. See Figure 23 for an example. Selecting tall will slow print speed and may cause the printer to back up during printing.

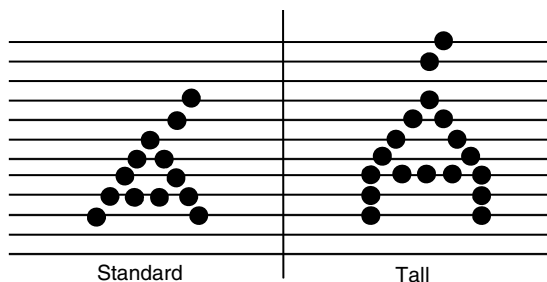
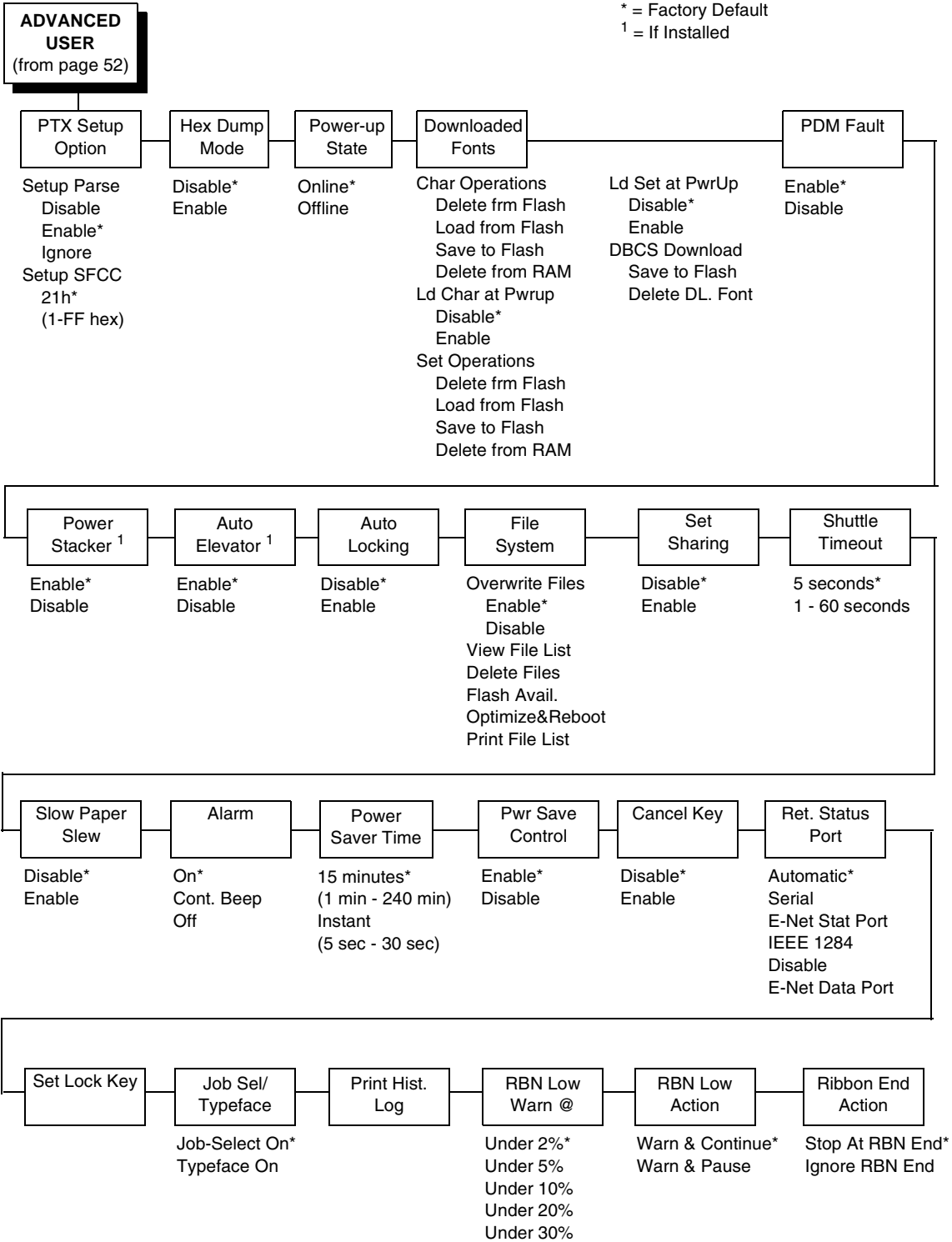


Figure 23. Accented Characters

ADVANCED USER



PTX Setup Option

Selects the Special Function Control Code for the PTX_SETUP command and functions.

- **Setup Parse.** Disables or enables the PTX_SETUP command.
- **Setup SFCC.** Allows you to choose the hex value of the ASCII character you wish to use as the SFCC for the PTX_SETUP command. Valid hex values are 01-FF. The default value is hex 21, which corresponds to the “!” character.

Hex Dump Mode

A hex code printout (or hex dump) translates all incoming data to hexadecimal equivalents. A hex dump lists each ASCII data character received from the host computer, together with its corresponding two-digit hexadecimal code. Hex dumps can be used to troubleshoot some types of printer data reception problems. The options include:

- **Disable** (default)
- **Enable**

Figure 27 on page 133. shows a hex dump sample.

Power-Up State

- **Online** (default). The printer powers up in the online state.
- **Offline.** The printer powers up in the offline state.

Downloaded Fonts

Allows you to download a substitution table to replace any character in the current character set with a different character in the same font.

- **Char Operations.** Allows you to delete a character from flash, load a character from flash, save a character to flash, and delete a character from RAM.
- **Ld Char at Pwrup.** Allows you to disable or enable loading a character at power up.
- **Set Operations.** Allows you to delete a character set from flash, load a character set from flash, save a character set to flash, and delete a character set from RAM.
- **Ld Set at PwrUp.** Allows you to disable or enable loading a character set at power up.
- **DBCS Download.** Allows you to save and delete downloadable DBCS characters from flash.

PMD (Paper Motion Detection) Fault

- **Enable** (default). In the event of a paper jam, an audible alarm beeps, “CLEAR PAPER JAM” appears on the message display, and the printer stops printing.
- **Disable**. You should disable PMD only if special paper requires it.

CAUTION

Once PMD is disabled, paper motion is not monitored. If a paper jam occurs, the printer ignores the condition and continues to print, possibly causing damage to the printer.

Power Stacker

This parameter allows you to enable or disable the power paper stacker (provided this option is installed).

Auto Elevator

This parameter exists only on printers with the power paper stacker installed. The power stacker has a sensor which detects paper movement and raises the stacker as the printed paper stack grows. If the printer has been printing for three minutes continually and the sensor has not detected any growth in the paper stack, the stacker raises itself 1/4 inch automatically.

- **Enable** (default). The automatic elevator on the power stacker operates normally.
- **Disable**. The stacker does not raise automatically every three minutes and is entirely dependent on the sensor. Disable is used with extremely high-quality print jobs that take a long time to print.

Auto Locking

- **Disable** (default). The ENTER key must be locked manually.
- **Enable**. The printer automatically locks the ENTER key five minutes after the last front panel key press.

File System

- **Overwrite Files**. Allows you to prevent files from being overwritten by disabling the overwrite function.
- **View File List**. Displays the list of files in the file system. Pressing the DOWN key displays the file size.
- **Delete Files**. Displays the list of files in the file system. Pressing the ENTER key deletes the file displayed on the front panel.
- **Flash Avail**. The amount of flash available for the user to save or download files into flash.
- **Optimize&Reboot**. Reclaims flash space from deleted flash files. After pressing ENTER, wait for the printer to reboot.

NOTE: When the Optimize&Reboot option is executed, the message, “Optimizing Flash Files” does not display before printer rebooting takes place.

- **Print File List.** Prints a summary of the files stored in flash memory and several statistics on File System usage.

IMPORTANT

Do not turn the printer off until it has completely rebooted and is either back online or offline.

Set Sharing

This option allows character sets to be shared between the active LP+ protocol and the active IGP emulation.

Changing characters sets in LP+ causes the active IGP to change to the same character set if the selected set exists in IGP. If the active IGP has no access to the selected set, no changes are made. Selecting a new character set in the active IGP causes the LP+ to change to the same character set if the selected character set exists in the active LP+ protocol. Not all sets are shared between emulations in the Standard group of character sets. As a result, selecting a set in the Standard group of LP+ or IGP emulation may or may not cause the other emulation to have the same set.

NOTE: The Set Sharing front panel option has no effect on the LP+ builds. The option only applies to the builds with IGP.

Shuttle Timeout

The amount of time the shuttle continues moving after no data is received. If your host is slow, setting the number to a higher value will prevent the printer from spending time shuttling up and down between data bursts.

Slow Paper Slew

- **Disable** (default). The paper will slew and stack paper at maximum speed.
- **Enable.** Causes the paper to stack at a slower rate. This ensures that certain forms will stack neatly.

Alarm

- **On** (default). An audible alarm sounds (3 beeps) when a fault occurs, such as a paper jam.
- **Cont. Beep.** A continuous audible alarm sounds when a fault occurs, which can be stopped by pressing CLEAR.
- **Off.** No audible alarm will sound.

Power Saver Time

The time interval you specify for this parameter sets the amount of idle time before the printer goes into Power Saver mode. When Instant is chosen, the printer goes into Power Saver mode as soon as it is able to stop the shuttle properly. The time allotted to perform this function depends upon the shuttle timeout value which can be set in the menu.

NOTE: Power Saver Mode will not be shown on the control panel even though the function still exists. Sending a print job to the printer will turn off Power Saver mode.

Pwr Save Control

Allows you to enable or disable the Power Save (Energy Star) mode.

- **Enable** (default). Allows you to enable the Power Save (Energy Star) mode.
- **Disable**. Allows you to disable the Power Save (Energy Star) mode.

Cancel Key

- **Disable** (default)
- **Enable**. The CANCEL key may be used to clear all data in the print buffer without printing any of the data.

Ret. Status Port

This option selects the port for the Return Status Commands (i.e., ~STATUS (PGL) and ~HS (PPI/ZGL)) to send the status data back to the Host.

The options are Automatic (factory default), Serial, E-NET Stat Port, IEEE 1284, Disable, and E-NET Data Port.

Set Lock Key

Normally, to lock or unlock the printer menu, the UP and DOWN keys are pressed at the same time. The Set Lock Key parameter lets you choose different keys to lock or unlock the printer menu. You may choose almost any group of keys as the new lock and unlock keys. You cannot use the ENTER key or any key combinations which are already used for another function. There is no limit to how many keys you can select.

To set the new lock key, follow these steps:

1. Work your way through the configuration menu until the display reads "Set Lock Key" (follow the menu structure on page 104).
2. Press ENTER. The display reads, "Select a new lock key."
3. Press the combination of keys you want to be the new lock key. Make sure you press all keys selected at the same time.
4. If the selection is valid, the display will read, "Enter the new lock key again." If the selection is invalid, the display will read, "Invalid key selection." Return to step 2 and start over.
5. Press the same combination of keys a second time. If the new lock key combination is entered again correctly, the display will read, "Lock key has been changed." If it was entered incorrectly, the display will read "Verification failed." Start over at step 2.
6. After entering the new lock combination successfully, press the ON LINE key to put the printer back online.

NOTE: The new lock combination will remain even if the printer is powered off and back on.

Job Sel/Typeface On

Allows you to customize this key to either function as Job Select or Typeface Select.

- **Job-Select On** (default). In offline mode, JOB SELECT allows you to change the active configuration without having to navigate the configuration menu. When pressed, the display reads "Load Config" with the name or number of the currently loaded configuration. Press JOB SELECT again until the configuration you want to load displays. Press ENTER and "Loading Saved Configuration" displays. The selected configuration is loaded into memory and becomes the active configuration. Press ON LINE to return to online mode.
- **Typeface On**. Sets the typeface of the printer. This key requires confirmation with the ENTER key.

Print Hist. Log

Prints the "Font File Log Report" if a custom font is downloaded.

RBN Low Warn @

This option allows the user to select the Ribbon Life value at which point the printer will declare a ribbon low condition and display the "418 RBN INK Low/ Change RBN Soon" warning message. The default is Under 2%. See "RBN Low Action" on page 109 for details of how the printer behaves once a ribbon low condition is reached.

The values are Under 2% (default), Under 5%, Under 10%, Under 20%, and Under 30%.

RBN Low Action

This menu determines how the printer behaves once a ribbon low condition is reached.

- **Warn & Continue** (default). Once a ribbon low condition is reached the printer beeps and displays the "418 RBN INK LOW / Change RBN Soon" warning message. Printing will continue without interruption. The warning message can be cleared by pressing the ONLINE/Clear button, however the message will persist again in two minutes. This action will continue until a ribbon out (ribbon life reaches 0%) condition occurs.
- **Warn & Pause**. This setting is similar to the Warn & Continue selection with one exception. When a ribbon low condition is reached the printer will still display the "418 RBN INK LOW / Change RBN Soon" warning message, however the printer will stop printing. This is meant to get the user's attention. To resume printing the user must press the ONLINE/ Clear key.

NOTE: Printing will only stop on the first occurrence of a ribbon low condition. Once the user clears the warning message, subsequent warnings will display the warning message but printing will continue.

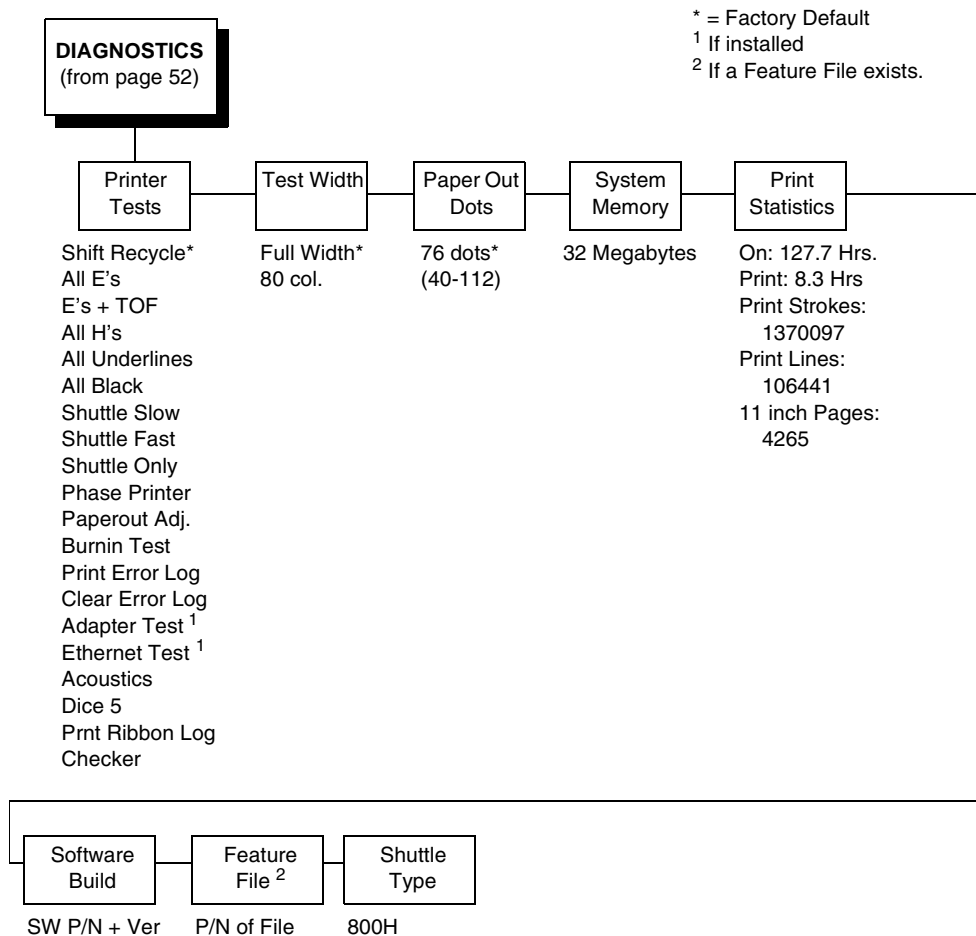
RBN End Action

This menu allows the user to override the normal ribbon low warning and ribbon out conditions.

- **Stop At RBN End** (default). When this factory default option is selected the printer displays a warning message when a ribbon low condition is reached and display a ribbon out fault when ribbon life reaches 0%.
- **Ignore RBN End**. When this menu option is selected it overrides the ribbon low and ribbon out conditions, i.e. no warning or fault messages is displayed and printing continues even after ribbon life reaches 0%. However, once the ribbon life reaches an excess wear condition as indicated by the fault message “420 EXC RBN WEAR / Install New RBN”, printing will stop and the user must install a new ribbon before printing can resume.

NOTE: The excess ribbon wear is set below the “Lighter -10” Ribbon End Point setting.

DIAGNOSTICS



Printer Tests

These tests are used to check the print quality and operation of the printer.

NOTE: Your authorized service representative will typically run the tests. They are described in more detail in the *Maintenance Manual*.

- **Shift Recycle.** A sliding alphanumeric pattern which identifies missing or malformed characters, improper vertical alignment, or vertical compression.
- **All E's.** A pattern of all uppercase E's which identifies missing characters, misplaced dots, smeared characters, improper phasing problems, or light/dark character variations.
- **E's + TOF.** A pattern of all E's followed by a form feed to the next page top-of-form, which identifies paper motion or feeding problems.
- **All H's.** A pattern of all uppercase H's used to detect missing characters, misplaced dots, smeared characters, or improper phasing.
- **All Underlines.** An underline pattern useful for identifying hammer bank misalignment.
- **All Black.** A condition where all dot positions are printed, creating a solid black band.
- **Shuttle Slow.** Verifies proper operation by exercising shuttle and ribbon motion at low speed.
- **Shuttle Fast.** Verifies proper operation by exercising shuttle and ribbon motion at fast speed.
- **Shuttle Only.** Exercises only the shuttle at fast speed.
- **Phase Printer.** Checks for wavy print. The initial phase value is set in the factory. Run the test and check the quality. (The phase value prints on the left margin.) If the print looks too wavy, change the Phase Value parameter while the test is running. While the phase printer test runs, press the DOWN key. To change the value, press the PREV or NEXT key until the desired value displays and then press ENTER.
- **Paperout Adj..** Verifies the current Paper Out Dots setting, which determines where the last line of text will print when there is a paper out condition. Setting this parameter correctly prevents printing on the platen.
- **Burnin Test.** Reserved for factory use.
- **Print Error Log.** Prints the current log of errors. Most non-routine faults (ribbon stall, voltage faults) are stored in the error log.
- **Clear Error Log.** Clears entries in the error log.
- **Acoustics.** A particular test pattern that is used to measure acoustics.
- **Adapter Test.** Prints the Ethernet adapter statistics stored on the Ethernet adapter (if present).
- **Ethernet Test.** Prints the Ethernet statistics stored on the Ethernet (if present).
- **Dice 5.** Pattern used to measure print density.
- **Prnt Ribbon Log.** Prints log of cartridge installed in the printer.

- **Checker.** For factory use. This pattern helps identify marginal printhead elements, quality of edge sharpness, and uneven print quality.

Test Width

Set this parameter to run the self-tests at full width or 80 columns.

Paper Out Dots

CAUTION Only authorized service representatives should set this parameter.

This parameter is used to adjust the paper out distance from the perforation; you can specify where the last line on the page will print when there is a paper out condition. Setting this parameter correctly prevents printing on the platen.

System Memory

Displays the amount of RAM installed.

Print Statistics

You can view various printer statistics and refer to them for preventive maintenance purposes. Printer statistics accumulate continuously; they do not reset when you turn off the printer. All of the printer statistics are set to zero at the factory after burn-in testing.

- **On.** The cumulative time in hours the printer has been powered on. The range is 0 to 30,000 hours.
- **Print.** The cumulative time in hours the printer has actually been printing. The range is 0 to 30,000 hours.
- **Print Strokes.** The cumulative number of back-and-forth shuttle strokes the printer has printed during normal printer operation. The range is 0 to 2,147,483,647 shuttle strokes.
- **Print Lines.** The cumulative number of lines the printer has printed. The range is 0 to 2,147,483,647 print lines.
- **11 inch Pages.** The cumulative number of pages the printer has printed. The range in print pages is 0 to 2,147,483,647 total inches of paper movement divided by 11.

Software Build

Displays the part number and version of the printer firmware.

Feature File

Displays the part number of the file if one has been downloaded to the printer.

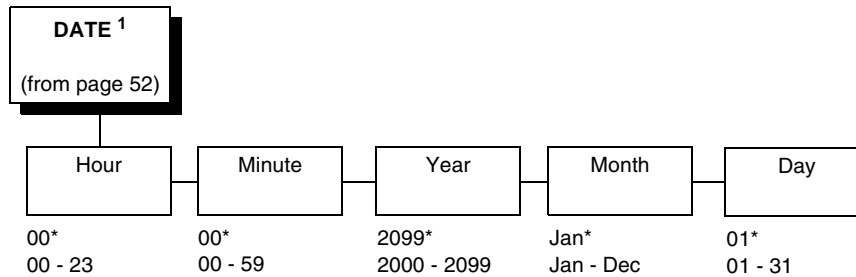
Shuttle Type

Displays the type of shuttle installed, i.e. 800H, 600H, or 200H.

DATE

* = Factory Default

¹ Appears only if the real time clock option is installed.



Hour

This option allows you to set the hour. The factory default is 00 and the range is from 00 to 23 hours.

Minute

This option allows you to set the minutes. The factory default is 00 and the range is from 00 to 59 minutes.

Year

This option allows you to set the year. The factory default is 2099 and the range is from the year 2000 to 2099.

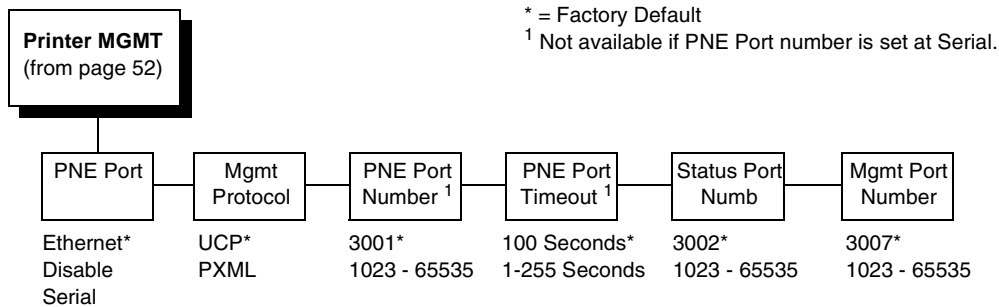
Month

This option allows you to set the month. The factory default is Jan and the range is from Jan to Dec.

Day

This option allows you to set the day. The factory default is 01 and the range is from 01 to 31 days.

Printer MGMT



PNE Port

This menu selects which port the printer expects PNE to connect to, via Ethernet or Serial. The factory default is Ethernet.

Mgmt Protocol

Since PXML and UCP management protocols share the same Ethernet Port, only one can be active at a time. This menu selects the active Management Protocol Interface, either PXML or UCP. The factory default is UCP.

PNE Port Number

This menu selects the port number the printer expects the PNE to connect through. The factory default is 3001 and the range is from 1023 to 65535.

PNE Port Timeout

If the PNE has not communicated to the printer within a timeout period, the PNE session closes. The factory default is 100 seconds. The range is from 1 to 255 seconds.

Status Port Numb

This menu selects the port number the printer sends the emulation status. The factory default is 3001 and the range is from 1023 to 65535.

Mgmt Port Number

This menu selects the port number the printer expects the PXML or UCP to connect through. The factory default is 3007 and the range is from 1023 to 65535.

5

Interfaces

Overview

This chapter describes the host interfaces provided with the printer. The printer interface is the point where the data line from the host computer plugs into the printer. The interface processes all communications signals and data to and from the host computer. Plus, with the Auto Switching feature, you can configure the printer to accept several interfaces at the same time (see “Auto Switching Submenu” on page 61).

IMPORTANT

To comply with Electromagnetic Compatibility (EMC) regulatory requirements all electrical signal interface cables connected to this printer must be of a minimal quality level, be of the correct length, and be properly installed.

The RS-232 port and parallel port interface cables must meet the following specifications:

- **The cable design must be double shielded with a copper braid over an aluminum mylar foil and not just a conductive foil spiral wrapped around a drain wire.**
- **The shield must terminate coaxially (360 degrees) to a metal connector housing and not be terminated by just a simple wire lead.**
- **The cable length, including connectors, must be 3 meters or less.**
- **The cable connector anchor screws must be securely seated into the printer receptor hardware.**

For reference purposes only, two specific Centronics parallel port cables that have been tested and found to comply with these requirements are Belkin® part number F2A046-10 and Primelogic® part number PLU 2823224. Other electrically equivalent cables are acceptable.

This chapter describes the interfaces provided with the printer.

Standard Host Interfaces:

- IEEE 1284 parallel
- RS-232 Serial

Optional Host Interfaces:

- Ethernet 10/100BaseT
- RS-422 Serial (not available in Taiwan)

In addition to descriptions for the multi-line interfaces, this chapter also provides instructions for configuration of terminating resistors for the parallel interfaces.

Centronics Parallel Interface

Table 5. Centronics Interface Connector Pin Assignments

Input Signals		Output Signals		Miscellaneous	
Signal	Pin	Signal	Pin	Signal	Pin
DATA LINE 1	2	ACKNOWLEDGE	10	CHASSIS GROUND	17
Return	20	Return	28		
DATA LINE 2	3	ONLINE	13	GROUND	30
Return	21	Return	28		
DATA LINE 3	4	FAULT	32	Spares	14
Return	22	Return	29		
DATA LINE 4	5	PAPER EMPTY	12	No Connection	34,35,
Return	23	Return	28		36
DATA LINE 5	6	BUSY	11	+5 Volts	18
Return	24	Return	29		
DATA LINE 6	7				
Return	25				
DATA LINE 7	8				
Return	26				
DATA LINE 8	9				
Return	27				
DATA STROBE	1				
Return	19				
PAPER INSTRUCTION	15				
Return	29				
PRIME	31				
Return	30				

The length of the data cable from the host computer to the printer must not exceed 15 feet (5 meters).

Centronics Parallel Interface Signals

Data Lines 1 through 8. Provides eight standard or inverted levels from the host that specify character data, plot data, or a control code. Data Line 8 allows access to the extended ASCII character set. You may enable or disable this line via the Data Bit 8 parameter on the Centronics submenu (see page page 63).

Data Strobe. Carries a low true, 100 ns minimum pulse from the host that clocks data into the printer.

Acknowledge. A low true pulse from the printer indicating the character or function code has been received and the printer is ready for the next data transfer.

Online. A high true level from the printer to indicate the printer is ready for data transfer and the ON LINE key on the control panel has been activated. When the printer is in online mode, it may accept data from the host.

Paper Empty (PE). A high true level from the printer to indicate the printer is in a paper empty or paper jam fault.

Busy. A high true level from the printer to indicate the printer cannot receive data.

Prime. A high true level from the host to indicate the printer should perform a warm start (printer is reset to the power-up configuration values).

Paper Instruction (PI). Carries a CVFU signal from the host with the same timing and polarity as the data line.

Fault. A low true level from the printer indicates a printer fault.

IEEE 1284 Parallel Interface

The 1284 supports three operating modes, which are determined by negotiation between the printer and the host.

Compatibility Mode

This mode provides compatibility with Centronics-like host I/O (see Table 6). Data is transferred from the host to the printer in 8-bit bytes over the data lines.

Compatibility Mode can be combined with Nibble and Byte Modes to provide bidirectional communication.

Nibble Mode

Eight bits equals one byte. When a byte of data is sent to the printer, the eight bits are sent over eight data lines.

Some devices cannot send data over their eight data lines. To bypass this, the 1284 permits data to be sent as half a byte over four status lines. (Half a byte equals one nibble.) Two sequential four-bit nibbles are sent over the lines.

Data is transferred from printer to host in four-bit nibbles over the status lines, and the host controls the transmission.

Byte Mode

The printer and host send data to each other along eight data lines (one bit per line).

If bidirectional communication is supported by the printer and the host, the host will take control of the data transfer.

Signals

Table 6 lists each of the signals associated with the corresponding pins on the 1284 interface. Descriptions of the signals follow.

Table 6. 1284 Signals

Pin	Source of Data	Type of Mode		
		Compatible	Nibble	Byte
1	Host	nStrobe	HostClk	Host/Clk
2	Host/Printer	Data 1 (LSB)		
3	Host/Printer	Data 2		
4	Host/Printer	Data 3		
5	Host/Printer	Data 4		
6	Host/Printer	Data 5		
7	Host/Printer	Data 6		
8	Host/Printer	Data 7		
9	Host/Printer	Data 8 (MSB)		
10	Printer	nAck	PtrClk	PtrClk
11	Printer	Busy	PtrBusy	PtrBusy
12	Printer	PError	AckDataReq	AckDataReq
13	Printer	Select	Xflag	Xflag

Table 6. 1284 Signals (continued)

Pin	Source of Data	Type of Mode		
		Compatible	Nibble	Byte
14	Host	nAutoFd	Host Busy	HostAck
15		Not Defined		
16		Logic Grid		
17		Chassis Grid		
18	Printer	Peripheral Logic High		
19		Signal Ground (nStrobe)		
20		Signal Ground (Data 1)		
21		Signal Ground (Data 2)		
22		Signal Ground (Data 3)		
23		Signal Ground (Data 4)		
24		Signal Ground (Data 5)		
25		Signal Ground (Data 6)		
26		Signal Ground (Data 7)		
27		Signal Ground (Data 8)		
28		Signal Ground (PError, Select, nAck)		
29		Signal Ground (Busy, nFault)		
30		Signal Ground (nAutoFd, nSelectIn, nInit)		
31	Host	nInit		
32	Printer	NFault	nDataAvail	aDataAvail
33		Not Defined		
34		Not Defined		
35		Not Defined		
36	Host	nSelectIn	1284 Active	1284 Active

NOTE: The length of the data cable from the host computer to the printer should not exceed 32 feet (10 meters).

Host Clock / nWrite. Driven by host. Data transferred from host to printer. When printer sends data, two types are available. If Nibble mode, signal is set high. If Byte mode, signal is set low.

Data 1 through Data 8. These pins are host-driven in Compatibility mode and bidirectional in Byte mode. They are not used in Nibble mode. Data 1 is the least significant bit; Data 8 is the most significant bit.

Printer Clock / Peripheral Clock / Interrupt. Driven by the printer. A signal from the printer indicating the character or function code has been received and the printer is ready for the next data transfer.

Printer Busy / Peripheral Acknowledge / nWait. Driven by the printer. Indicates the printer cannot receive data. (Data bits 4 and 8 in Nibble mode.)

Acknowledge Data Request / nAcknowledge Reverse. Driven by the printer. Indicates the printer is in a fault condition. (Data bits 3 and 7 in Nibble mode.)

Xflag. Driven by the printer. A high true level indicating the printer is ready for data transfer and the printer is on line. (Data bits 2 and 6 in Nibble mode.)

Host Busy / Host Acknowledge / NDStrobe. Driven by the host. Activates auto-line feed mode.

Peripheral Logic High. Driven by the printer. When the line is high, the printer indicates all of its signals are in a valid state. When the line is low, the printer indicates its power is off or its signals are in an invalid state.

nReverse Request. Driven by the host. Resets the interface and forces a return to Compatibility mode idle phase.

nData Available / nPeripheral Request. Driven by the printer. Indicates the printer has encountered an error. (Data bits 1 and 5 in Nibble mode.)

1284 Active / nAStrobe. Driven by the host. A peripheral device is selected.

Host Logic High—Driven by the host. When set to high, the host indicates all of its signals are in a valid state. When set to low, the host indicates its power is off or its signals are in an invalid state.

nInit —Resets init interface from the host.

Terminating Resistor Configurations

V6 Controller Board

For parallel interface configurations, the printer is equipped with 470 Ohm and 1K Ohm terminating resistors on the controller board. These are suitable for most applications. See Figure 24.

If the standard terminating resistor pack is not compatible with the particular interface driver requirements of the host computer, other RP1 and RP2 values may be required. 220 Ohm and 330 Ohm alternate terminating resistors are provided with the printer. If you install the 220 Ohm resistor, you must also install the 330 Ohm resistor. Possible terminating resistor combinations are shown below.

Configuration	RP1	RP2
Factory Default	470 Ohm	1K Ohm
Alternate	220 Ohm	330 Ohm

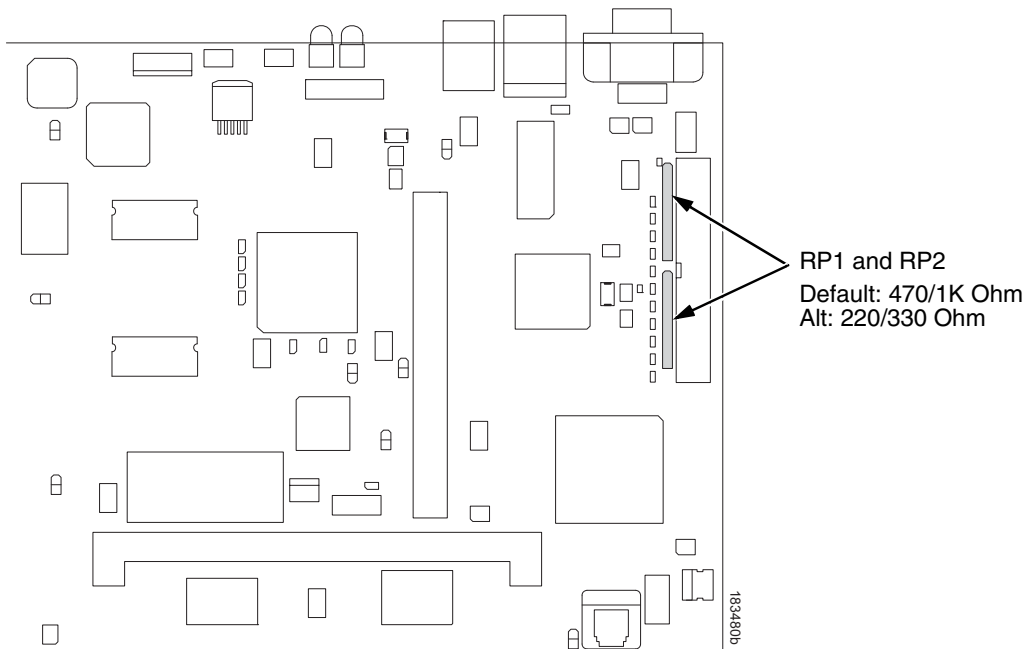


Figure 24. Terminating Resistors, V6 Controller

Removal And Installation

The procedure for removing and installing terminating resistors is provided in your *Maintenance Manual*.

CAUTION This is an involved maintenance procedure. To avoid damage to the equipment, only a trained technician should perform this procedure.

RS-232 And RS-422 Serial Interfaces

NOTE: The RS-232 and RS-422 serial interface circuit characteristics are compatible with the Electronic Industry Association Specifications EIA-232-E and EIA-422-B.

The RS-232 and RS-422 serial interfaces enable the printer to operate with bit serial devices that are compatible with an RS-232 controller. The input serial data transfer rate (in baud) is selectable from the printer's control panel. Baud rates of 600, 1200, 2400, 4800, 9600, 19200, 38400, 57600, and 115200 baud rates are available.

NOTE: If you select a baud rate that is greater than 19200, you may need to use RS-422 to prevent data loss.

The length of the data cable from the host computer to the printer must not exceed 50 feet (15 meters) for RS-232 or 4000 feet (1220 meters) for RS-422. (A copper conductor, twisted-pair telephone cable with a shunt capacitance of 16 pF/foot [52.5 pF/meter] terminated in a 100 ohm resistive load must be used for the RS-422.)

RS-232

Table 7. RS-232 Serial Interface Connector Pin Assignments

Input Signals		Output Signals		Miscellaneous	
Signal	Pin	Signal	Pin	Signal	Pin
Receive Data (RD)	2	Transmit Status & Control Data (TD)	3	Chassis/Signal Ground	5
Clear To Send (CTS)	8	Request To Send (RTS)	7		
Data Set Ready (DSR)	6	Data Terminal Ready (DTR)	4		
Data Carrier Detect (DCD)	1				

Receive Data (RD). Serial data stream to the printer.

Transmit Status & Control Data (TD). Serial data stream from the printer for transmitting status and control information to the host. Subject to protocol selection.

Request To Send (RTS). Control signal from the printer. Subject to configuration.

Clear To Send (CTS). Status signal to the printer indicating the host is ready to receive data/status signals from the printer.

Data Set Ready (DSR). Status signal to the printer indicating the host is in a ready condition.

Data Carrier Detect (DCD). Status signal to the printer. The ON condition is required for the printer to receive data.

Data Terminal Ready (DTR). Control signal from the printer. Subject to configuration.

RS-422

Table 8. PSA3 RS-422 Serial Interface Connector Pin Assignments

Input Signals		Output Signals		Miscellaneous	
Signal	Pin	Signal	Pin	Signal	Pin
- Receive Data (-RD)	1	- Transmit Data (-TD)	3	Chassis/Signal Ground	5
+ Receive Data (+RD)	6	+ Transmit Data (+TD)	8		

+RD, -RD. Serial data stream differentially received by printer.

+TD, -TD. Differentially driven serial data stream for transmitting status and control information to the host. Subject to protocol selection.

NOTE: \pm RD and \pm TD form signal and return paths of a differential line signal.

Dataproducts Parallel Interface

**Table 9. Dataproducts Parallel Interface Connector Pin Assignments
(with a 50-pin AMP HDH-20 Data Cable Connector)**

Input Signals		Output Signals		Miscellaneous	
Signal	Pin	Signal	Pin	Signal	Pin
DATA LINE 1	19	READY	22	CABLE VERIFY	45, 46
Return	3	Return	6		
DATA LINE 2	20	ONLINE	21	GROUND	39
Return	4	Return	5		
DATA LINE 3	1	DEMAND/DATA REQ.	23		
Return	2	Return	7		
DATA LINE 4	41	PARITY ERROR	27		
Return	40		11		
DATA LINE 5	34				
Return	18				
DATA LINE 6	43				
Return	42				
DATA LINE 7	36				
Return	35				
DATA LINE 8	28				
Return	44				
DATA STROBE	38				
Return	37				
PAPER INSTRUCTION	30				
Return	14				
BUFFER CLEAR	31				
Return	15				

NOTE: Pins not listed are not connected.

The length of the data cable from the host computer to the printer must not exceed 40 feet (12 meters).

Dataproducts Parallel Interface Signals

Data Lines 1 through 8. Provides eight standard or inverted levels from the host that specify character data, plot data, or a control code. Data Line 8 allows access to the extended ASCII character set. You can enable or disable this line via the Data Bit 8 parameter on the Dataproducts submenu (see page 65).

Data Strobe. Carries a high true pulse from the host when data is ready. The data strobe remains high until the Data Request line goes false. The active edge of the strobe signal can be configured as leading, middle (default), or trailing.

Paper Instruction (PI). Carries a DVFU signal from the host with the same timing and polarity as the data lines.

Ready. Carries a high true signal from the printer when AC power and DC voltages are present, paper is loaded properly, and the printer is not in a check condition.

Online. Carries a high true signal from the printer when the Ready Line is true and the ON LINE key on the control panel has been pressed. When the printer is in online mode, it may accept data from the host.

Demand/Data Request. Carries a high true signal from the printer when the printer is ready to accept character data from the host. This signal changes to false shortly after the leading edge of the data strobe signal.

Cable Verify. Two pins on the interface connector are jumpered together to allow the user to verify proper installation of the interface connector.

Buffer Clear. A high true level from the host to indicate the printer should perform a reboot.

Parity Error. Always carries a low false signal from the printer indicating there is no parity error.

6

Reprogramming the Security Key

Reprogramming The Security Key

The security key on the PSA3 controller board can be reprogrammed with a Software Program Exchange (SPX) module. The SPX is an intelligent module that plugs into the debug port on the back of printers equipped with the PSA3 "Hurricane" controller board. The SPX is used only once; it automatically overwrites itself after successfully reprogramming a security key. This allows the end user or a service technician to enable features such as new emulations without having to remove covers and install a new security key on the controller board.

The SPX is used at power-up only and is not left in the printer during normal operation. Because it is a single-use disposable item the user is not required to return it to the vendor or manufacturer.

How To Program The Security Key

1. Power off the printer.
2. On cabinet models, open the rear door. On pedestal models, refer to Figure 25 to locate the debug port at the rear of the printer.
3. Insert the SPX into the debug port as shown.

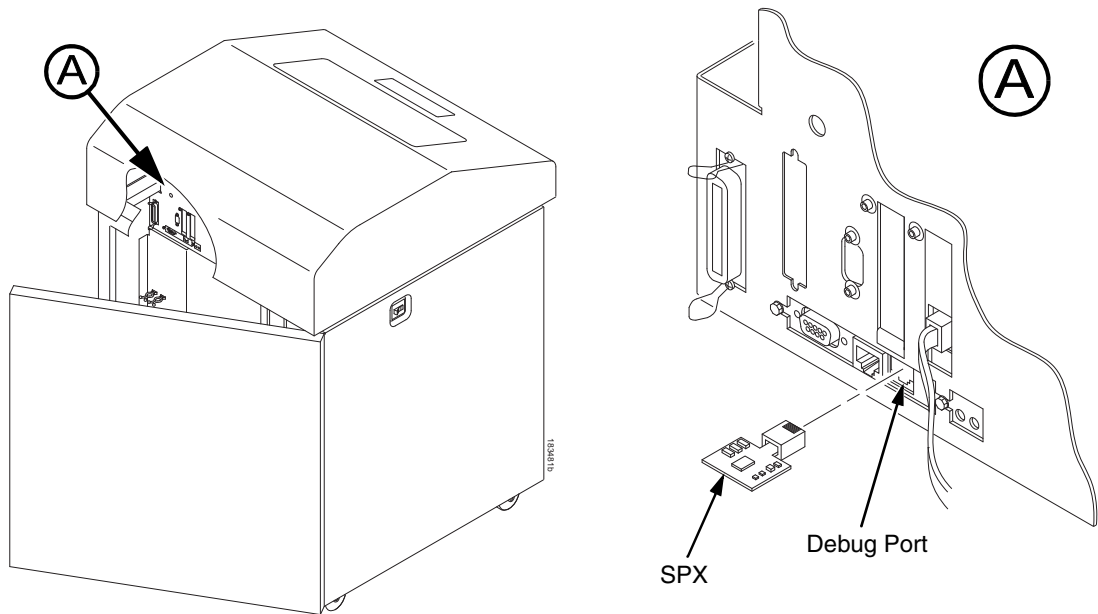


Figure 25. Inserting The SPX into the Debug Port

4. Power on the printer. The printer will begin its boot-up sequence.
 5. When the printer detects a valid SPX, the control panel displays: “NEW SPX DETECTED PRESS ENTER”
- NOTE:** If an error message displays, find the message in the Message List in Chapter 7 and follow the troubleshooting instructions.
6. Press the **ENTER** key to activate the reprogramming sequence. The display will read: “PROGRAMMING. PLEASE WAIT.”
 7. When the security key is reprogrammed, the display will read: “REMOVE USED SPX THEN PRESS ENTER”
 8. Remove the SPX from the debug port at the rear of the printer.
 9. Press the **ENTER** key. The printer will reboot itself and you may resume normal printing.
 10. You may need to download a new program file to use the new feature.
 11. You may need to set additional menu parameters for any new features that have been added or enabled.

7

Troubleshooting

Cleaning Requirements

Clean the printer every six months or after every 1000 hours of operation, whichever occurs first. If the printer is located in a dusty area or is used for heavy duty printing, clean it more often.

WARNING

Disconnect the power source before cleaning the printer.

Vor dem Säubern des Druckers ist die Netzverbindung zu unterbrechen.

Débranchez l'alimentation avant de nettoyer l'imprimante.

Desconecte la fuente de energía antes de limpiar la impresora.

Staccare la fonte di energia prima della pulitura della stampante.

Exterior Cleaning

Clean the outside of the cabinet with a soft, lint-free cloth and mild detergent soap. (Dishwashing liquid works well.) Do not use abrasive powders or chemical solvents. Clean the windows with plain water or mild window cleaner. Always apply the cleaning solution to the cloth; never pour cleaning solution directly onto the printer.

Interior Cleaning

Over time, particles of paper and ink accumulate inside impact printers. This is normal. Paper dust and ink build-up must be periodically removed to avoid degraded print quality. Most paper dust accumulates around the ends of the platen and ribbon path.

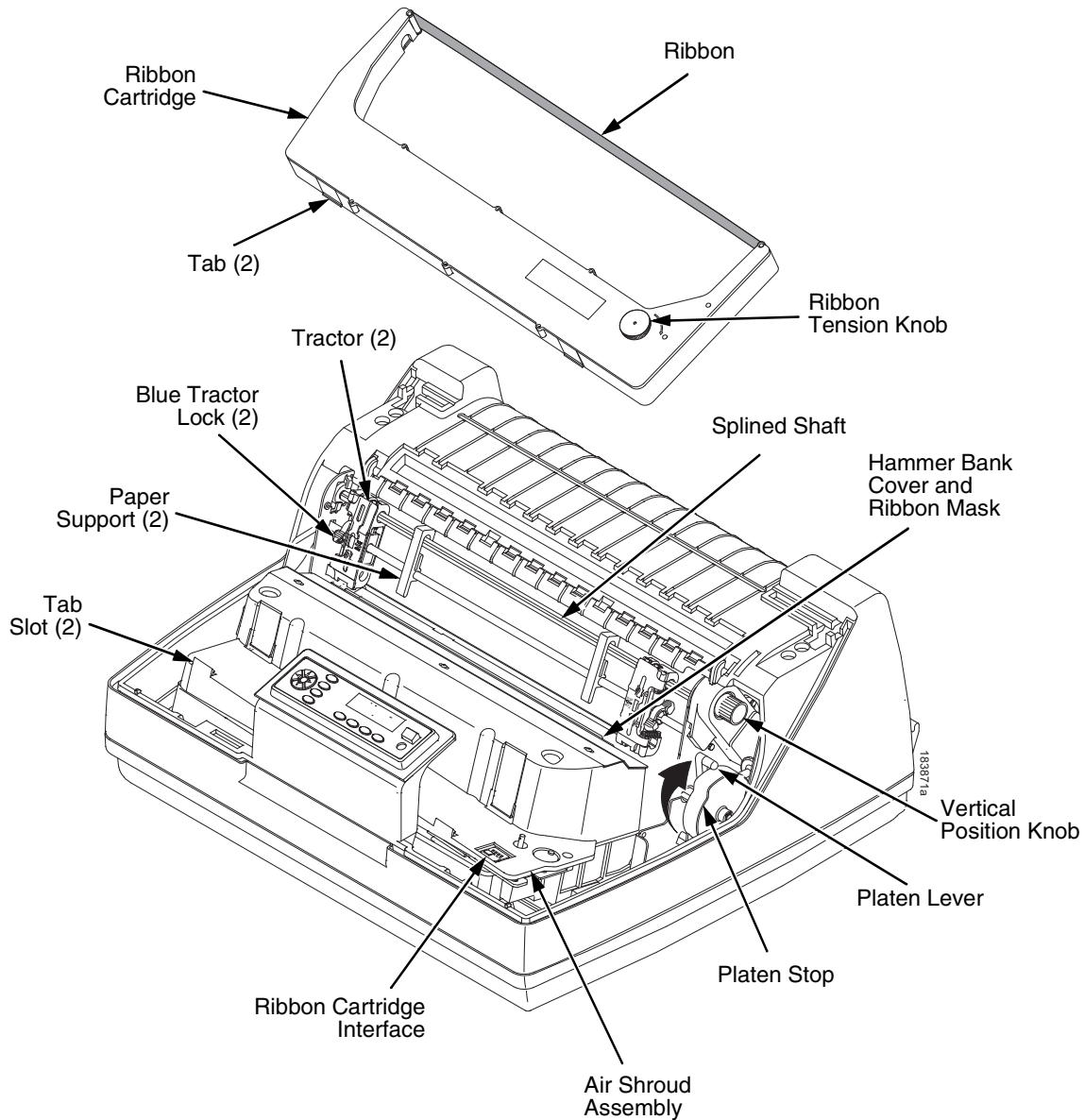


Figure 26. Interior Printer Components

To clean the interior of the printer perform the following steps.

1. Power off the printer and unplug the printer power cord.
2. Open the printer cover.
3. Fully raise the forms thickness lever.
4. Unload the paper.
5. Remove the ribbon cartridge.
6. Lift the ribbon out of the ribbon path.
7. Brush the paper dust and ribbon lint off the tractors, shuttle cover assembly, and base casting with a soft-bristled, non-metallic brush (such as a toothbrush). Vacuum up the residue.

CAUTION **Vacuum carefully around the hammer bank and surrounding area to avoid damage. To avoid corrosion damage, use only alcohol when cleaning the printer mechanical elements. Solutions used to clean mechanical elements must contain no water.**

8. Wipe the splined shaft with a soft cloth.
9. Check the ribbon mask and hammer bank cover for bits of torn paper or ribbon lint.
10. Remove dust and ink from the platen using a soft cloth lightly moistened with anhydrous alcohol. (The platen is the thick silver bar behind the hammer bank cover that rotates when the forms thickness lever is rotated.).

CAUTION **When cleaning the platen, be very careful not to get any alcohol in the hammer bank, because alcohol will cause severe damage to the hammer bank. Only a trained service technician should clean the shuttle assembly.**

11. Brush and vacuum the accumulated dust or residue inside the lower cabinet.
12. Wipe the lower cabinet interior with a clean, lint-free cloth dampened (not wet) with water and mild detergent or window cleaning solution. Dry the lower cabinet interior by wiping it down with a clean, lint-free cloth.
13. Install the ribbon cartridge and load paper.

Diagnosing Problems

This section is designed to help you fix problems which may arise with normal printer operation.

Bar Code Verification

The most important consideration when printing a bar code is to ensure that the bar code will be scanned properly. Incorporating a bar code quality procedure in the printing process is the best way to ensure that bar codes are being printed correctly. A properly implemented verification procedure will increase overall bar code quality, reduce waste from misprinted bar codes, and achieve high first-time read rates. A high first-time read rate is an increasingly important factor in newer, more efficient systems where manually entered data is not acceptable as a backup function. Verification also minimizes the costs of returned products due to poor reading or unaccountable bar codes.

RJS designs and manufactures the world's most complete line of bar code verification products, including their portable Inspector and Laser Inspector models, On-Line Inspector and AutoScan II series. For more information on RJS bar code verifiers, visit their web site at www.primtronix.com/rjs.

Printing A Hex Dump

A hex code printout (or hex dump) is a translation of all host interface data to its hexadecimal equivalent, listing all ASCII character data received from the host computer with their corresponding two-digit hexadecimal codes. Hex dumps are used to troubleshoot printer data reception problems.

Printable characters print as the assigned symbol; nonprintable characters are indicated by a period (.).

Figure 27 shows an example of a hex dump.

!"#\$%&'()*+,-./	20	21	22	23	24	25	26	27	28	29	2A	2B	2C	2D	2E	2F
0123456789:;<=>?	30	31	32	33	34	35	36	37	38	39	3A	3B	3C	3D	3E	3F
@ABCDEFGHIJKLMNO	40	41	42	43	44	45	46	47	48	49	4A	4B	4C	4D	4E	4F
PQRSTUVWXYZ[\]^_	50	51	52	53	54	55	56	57	58	59	5A	5B	5C	5D	5E	5F
`abcdefghijklmnopqrstuvwxyz~	60	61	62	63	64	65	66	67	68	69	6A	6B	6C	6D	6E	6F
!~!"#\$%&'()*+,-./0	70	71	72	73	74	75	76	77	78	79	7A	7B	7C	7D	7E	7F
123456789:;<=>?@	21	22	23	24	25	26	27	28	29	2A	2B	2C	2D	2E	2F	30
ABCDEFGHI..!"#\$%&	31	32	33	34	35	36	37	38	39	3A	3B	3C	3D	3E	3F	40
'()*+,-./0123456	41	42	43	44	45	46	47	48	49	4A	4B	4C	4D	4E	4F	50
789:;<=>?@ABCDEF	27	28	29	2A	2B	2C	2D	2E	2F	30	31	32	33	34	35	36
GHIJKLMNOPQRSTU	37	38	39	3A	3B	3C	3D	3E	3F	40	41	42	43	44	45	46
VWXYZ[\]^_`abcdef	47	48	49	4A	4B	4C	4D	4E	4F	50	51	52	53	54	55	56
ghijklmnopqrstuv	57	58	59	5A	5B	5C	5D	5E	5F	60	61	62	63	64	65	66
wxyz{ }~!"#\$%&'	67	68	69	6A	6B	6C	6D	6E	6F	70	71	72	73	74	75	76
()*+,-./01234567	77	78	79	7A	7B	7C	7D	7E	20	21	22	23	24	25	26	27
89:;<=>?@ABCDEF	28	29	2A	2B	2C	2D	2E	2F	30	31	32	33	34	35	36	37
GHI..!"#\$%&'()*+,-	38	39	3A	3B	3C	3D	3E	3F	40	41	42	43	44	45	46	47
HI..!"#\$%&'()*+,-	48	49	4A	4B	4C	4D	4E	4F	50	51	52	53	54	55	56	57
. /0123456789:;<=	2E	2F	30	31	32	33	34	35	36	37	38	39	3A	3B	3C	3D
>?@ABCDEFGHIJKLM	3E	3F	40	41	42	43	44	45	46	47	48	49	4A	4B	4C	4D
NOPQRSTUVWXYZ[\]^	4E	4F	50	51	52	53	54	55	56	57	58	59	5A	5B	5C	5D
^_`abcdefghijklmnopqrstuvwxyz{ }	5E	5F	60	61	62	63	64	65	66	67	68	69	6A	6B	6C	6D
~!"#\$%&'()*+,-./	6E	6F	70	71	72	73	74	75	76	77	78	79	7A	7B	7C	7D
0123456789:;<=>	7E	20	21	22	23	24	25	26	27	28	29	2A	2B	2C	2D	2E
?@ABCDEFGHIJ..!#\$	2F	30	31	32	33	34	35	36	37	38	39	3A	3B	3C	3D	3E
%&'()*+,-./01234	3F	40	41	42	43	44	45	46	47	48	49	4A	4B	4C	4D	4E
56789:;<=>?@ABCD	25	26	27	28	29	2A	2B	2C	2D	2E	2F	30	31	32	33	34
EFGHIJKLMNOPQRST	35	36	37	38	39	3A	3B	3C	3D	3E	3F	40	41	42	43	44
UVWXYZ[\]^_`abcd	45	46	47	48	49	4A	4B	4C	4D	4E	4F	50	51	52	53	54
efghijklmnopqrst	55	56	57	58	59	5A	5B	5C	5D	5E	5F	60	61	62	63	64
uvwxyz{ }~!"#\$%&	65	66	67	68	69	6A	6B	6C	6D	6E	6F	70	71	72	73	74
'()*+,-./012345	75	76	77	78	79	7A	7B	7C	7D	7E	20	21	22	23	24	25
6789:;<=>?@ABCDE	26	27	28	29	2A	2B	2C	2D	2E	2F	30	31	32	33	34	35
FHIJK..!#\$%&'()*	36	37	38	39	3A	3B	3C	3D	3E	3F	40	41	42	43	44	45
+,-./0123456789:;	46	47	48	49	4A	4B	4C	4D	4E	4F	50	51	52	53	54	55
<=>?@ABCDEFGHIJK	2C	2D	2E	2F	30	31	32	33	34	35	36	37	38	39	3A	3B
LMNOPQRSTUVWXYZ[\]^	3C	3D	3E	3F	40	41	42	43	44	45	46	47	48	49	4A	4B
^_`abcdefghijklmnopqrstuvwxyz{ }	4C	4D	4E	4F	50	51	52	53	54	55	56	57	58	59	5A	5B
~!"#\$%&'()*+,-./	5C	5D	5E	5F	60	61	62	63	64	65	66	67	68	69	6A	6B
0123456789:;<=	6C	6D	6E	6F	70	71	72	73	74	75	76	77	78	79	7A	7B
>?@ABCDEFGHIJK..!#\$%&	7C	7D	7E	20	21	22	23	24	25	26	27	28	29	2A	2B	2C

Figure 27. Hex Dump Sample

Fault Messages

If a fault condition occurs in the printer, the status indicator on the control panel flashes on and off, and the message display indicates the specific fault. Fault messages are summarized in Table 10.

Displayed faults fall into one of two categories:

- Operator correctable
- Field service required

For the operator-correctable faults, follow the suggested solution in Table 10. After correcting the displayed fault, press the CLEAR key to clear the error message and status indicator and resume printing. If the fault message reappears, contact your authorized service representative.

NOTE: The *Maintenance Manual* provides more detailed information and procedures for resolving fault conditions. However, many of the procedures described there must be performed only by your authorized service representative.

Fault Messages Requiring Field Service Attention

If a fault is not correctable by the operator, the fault message is followed by an asterisk (*). This usually indicates that an authorized service representative is needed. You may try two steps to clear the fault before calling your authorized service representative:

1. Set the printer power switch to O (Off), wait 15 seconds, then turn the printer on again. Run your print job again. If the message does not appear, it was a false indication and no further attention is required.
2. If the message reappears, press the CLEAR key. If the message disappears, it was a false indication and no further attention is required. If the message reappears, call your authorized service representative.

Table 10. LCD Message Troubleshooting Table

Displayed Message	Can User Correct?	Explanation	Solution
000:SHUTTLE TYPE NOT SUPPORTED*	No	The shuttle type was not detected at power-up or the shuttle installed in the printer is not supported by the firmware.	Contact your authorized service representative. ¹
06 HOST REQUEST	Yes	Host attention message.	The host computer or printer controller requires attention.
08 HOLD PRINT TIMEOUT	Yes	Printer was offline more than 10 minutes, and the "Intervention Required" parameter is set to "Send to Host."	Press ON LINE to put printer in online state.
15 COMM CHECK	Yes	A message that appears in the CT emulation meaning the line is not active on a twinax interface.	Check cable connection.
15V CTL FAIL*	No	Controller voltage failure.	Contact your authorized service representative. ¹
22 INVALID ADDR	Yes	Unit address not recognized by printer. (Twinax interface)	Ensure that printer address matches host setting.
31 PAPER OUT TIMEOUT	Yes	A timeout message is sent to the host if paper is not loaded 10 minutes after CLEAR was pressed to clear the paper out fault.	Load paper and run a print test. If the message reappears, contact your authorized service representative. ¹
32 PAPER JAM TIMEOUT	Yes	A timeout message is sent to the host if no paper motion has occurred for 10 minutes after CLEAR was pressed to clear the jam fault.	Clear paper jam and reload paper.

Table 10. LCD Message Troubleshooting Table

Displayed Message	Can User Correct?	Explanation	Solution
33 PLATEN OPEN TIMEOUT	Yes	The forms thickness lever has been open for at least one minute.	Load paper, close the forms thickness lever, and press CLEAR.
34 RIBBON STALL TIMEOUT	Yes	In the CT emulation with a coax interface, the ribbon has not moved for 10 minutes after CLEAR was pressed to clear the ribbon drive fault.	Reload the ribbon.
48V PWR FAIL*	No	Internal power failure.	Contact your authorized service representative. ¹
104:POWER SUPPLY HOT	Yes	Power supply sensors report high temperatures.	Check printer environment. If hot or dusty, relocate printer. Contact your authorized service representative if this occurs frequently. ¹
105:PRINTER HOT	Yes	This message indicates internal temperatures over 60° Celsius (140° Fahrenheit).	Check printer environment. If hot or dusty, relocate printer. Contact your authorized service representative if this occurs frequently. ¹
401:BUFFER OVERRUN	Yes	The print buffer has overflowed on a serial interface. The printed output may contain random * (asterisk) characters. Make a configuration printout.	Verify that the printer matches the host serial interface configuration settings for Data Protocol, Baud Rate, Data Bits, Stop Bits, Parity, Data Terminal Ready, and Request to Send. Set printer serial interface parameters to match those of the host.
402:CLEAR PAPER JAM	Yes	No paper motion.	Clear jam and reload paper. If this message recurs, contact your authorized service representative. ¹
403:CLOSE PLATEN	Yes	The platen lever is open.	Close the platen lever.
409:FRAMING ERROR	Yes	The printed output may contain random ! (exclamation point) characters.	Make a configuration printout. Set printer serial interface parameters to match host configuration settings for Data Protocol, Baud Rate, Data Bits, Stop Bits, Parity, Data Terminal Ready, and Request to Send.
410:LOAD PAPER	Yes	Printer is out of paper.	Load paper and press CLEAR.

Table 10. LCD Message Troubleshooting Table

Displayed Message	Can User Correct?	Explanation	Solution
411:PARITY ERROR	Yes	The printed output may contain a random ? (question mark) characters.	Check your printer serial interface parameter settings; if necessary, adjust them so that they match the settings of the attached host.
414:RIBBON STALL	Yes	The controller board does not detect ribbon movement.	Check the ribbon path for jams. Turn the Ribbon Tension Knob clockwise a few rotations. If necessary, install a new ribbon.
415:SHUTTLE JAM	Yes	No shuttle movement or shuttle moving at the wrong speed.	Check for obstruction to shuttle, a twisted ribbon, or platen lever closed too tightly. If fault source is not apparent, contact your authorized service representative. ¹
416:STACKER FULL	Yes	Status message: the power paper stacker is full of paper.	Unload the stacker. If fault persists, contact your authorized service representative. ¹
417:STACKER JAM	Yes	This message is triggered if there is paper inside the throat of the stacker elevator, but the elevator is not moving.	1. Open the cabinet rear door and check for obstructions preventing elevator movement. Remove any obstructions. 2. Run the print job again. If the message appears again, contact your authorized service representative. ¹
418:RBN INK LOW Change RBN Soon	Yes	Status message indicating the Integrated Print Management System is enabled and ribbon ink level is 2%.	Install a new ribbon.
419:RBN INK OUT* Install New RBN	Yes	Integrated Print Management System software has determined that the ribbon is out of ink.	Install a new ribbon.
420:EXC RBN WEAR Install New RBN	Yes	Status message that displays when ribbon reaches end of life, whether the Integrated Print Management System is enabled or not.	Install a new ribbon.

Table 10. LCD Message Troubleshooting Table

Displayed Message	Can User Correct?	Explanation	Solution
421:BC MISSING Install New RBN	Yes	The ribbon sensor does not detect the presence of the ribbon spool, indicating a missing label or a damaged sensor.	If label is missing, install new ribbon. If barcode label is present and undamaged, clean sensor lens using damp cloth or swab.
422:BC DAMAGED Reverse Spools	Yes	Barcode detected, but not fully decoded.	If barcode appears damaged, reverse ribbon spools. If barcode label is present and undamaged, clean sensor lens using damp cloth or swab. Check that platen gap may be too tight constricting ribbon motion. Loosen gap if needed.
423:OLD RIBBON Install New RBN	Yes	The sensor detects a ribbon that was previously declared to be at the end of its service life.	Install a new ribbon.
424:UNKNOWN RBN1 Install New RBN	Yes	The sensor detects a bar code, but the ribbon model is not permitted on this printer.	Install a new ribbon.
425:UNKNOWN RBN2 Install New RBN	Yes	The sensor detects a bar code, but the region code does not match the printer.	Install a new ribbon.
427:CRTG MISSING Install new RBN	Yes	The ribbon cartridge is missing or installed improperly.	<ol style="list-style-type: none"> 1. Make sure a ribbon cartridge is installed in the printer. 2. Make sure the ribbon cartridge is seated properly. 3. Remove and replace the cartridge if necessary. 4. Contact your authorized customer service representative.
428:CRTG COMM ER See User Manual	No	The hardware cannot communicate properly with the cartridge.	<ol style="list-style-type: none"> 1. Make sure the ribbon cartridge is seated properly. 2. Remove and replace the ribbon cartridge if necessary. 3. Contact your authorized service representative.

Table 10. LCD Message Troubleshooting Table

Displayed Message	Can User Correct?	Explanation	Solution
432:CRT NOT SET	Yes	The ribbon cartridge is not correctly positioned.	<ol style="list-style-type: none"> 1. Make sure a ribbon cartridge is installed in the printer. 2. Make sure the ribbon cartridge is seated properly. 3. Remove and replace the cartridge if necessary. 4. Contact your authorized customer service representative.
435:NO WELD See User Manual	No	The cartridge weld was not detected.	Contact your authorized service representative.
437:REG MISSING Use Correct RBN	Yes	The incorrect cartridge type is being used for the printer.	<p>Install region X ribbon cartridge in the printer.</p> <p>NOTE: Specify the region of the printer when ordering ribbons.</p>
438:TIP MISMATCH Use Correct RBN	Yes	The incorrect cartridge type is being used for the printer.	Install the correct ribbon cartridge type in the printer.
439:SHTL MISMATCH Use Correct RBN	Yes	This message displays when an Extended Life Ribbon is mounted on a 500 lpm printer.	Install Standard Life Ribbon.
440:RWP DOWNLOAD Please Wait	No	Status message indicating the software in the cartridge is being updated. The user must wait for the update to complete.	No action is required.
602:23.5V CTL FAIL*	No	23.5 Volt Controller failed: a voltage failure on the controller board.	Contact your authorized service representative. ¹
604:48V CIRCUIT* See User Manual	No	Either the power supply is not generating a proper 48 Volts or the controller board is not detecting a 48 Volt output from the power supply board.	Contact your authorized service representative. ¹
606:Power 8.5V CHECK	No	8.5 Volt power failed. Internal power failure.	Contact your authorized service representative. ¹

Table 10. LCD Message Troubleshooting Table

Displayed Message	Can User Correct?	Explanation	Solution
607:CTL VOLT FAIL*	No	Controller Voltage Failure. 15 V failure on the controller board.	Contact your authorized service representative. ¹
608:DRIVER CIRCUIT BAD	No	Driver Circuit Bad. The hammer coil count test failed.	Contact your authorized service representative. ¹
609:EXHAUST FAN CHECK (Cabinet model only)	Yes	Sensors cannot detect current in fan circuit.	Power off the printer and remove the paper path (see <i>Maintenance Manual</i>). Check that the fan cable connector is connected. Check for obstruction of vents and fan airway, and remove any obstructions. Check for items beneath the printer blocking cabinet vents. Power back on the printer. If this message appears again, contact your authorized service representative. ¹
613: HAM. COIL BAD #, #, #, ...etc	No	Hammer coil # failed current test at power up.	Contact your authorized service representative. ¹
614:HAMMER BANK* NOT INSTALLED	No	Hammer Bank Not Installed. Self-test routines do not detect hammer coils at printer start-up.	Contact your authorized service representative. ¹
615:HAMMER FAN CHECK	Yes	Sensors cannot detect current in fan circuit.	Check that fan cable is connected. Check for obstruction of vents and fan airway; remove any obstructions. Check for items beneath the printer blocking cabinet vents. Power back on the printer. If this message recurs, contact your authorized service representative. ¹
617:LOWER DRIVER SHORT*	No	Lower Driver Short. Circuit(s) on the hammer bank or in the hammer bank power cable shorted to ground.	Contact your authorized service representative. ¹
619:PAPER FEED DRIVER CIRCUIT* See Manual	No	Paper Feed Driver Circuit. The paper feed driver circuit on the controller board is drawing too much current.	Contact your authorized service representative. ¹

Table 10. LCD Message Troubleshooting Table

Displayed Message	Can User Correct?	Explanation	Solution
620:POWER VOLT CHECK*	No	Power Supply Voltage. The power supply has failed.	Replace power supply board.
622:SHUTTLE DRIVER CRUIT*	No	The shuttle driver circuit on the controller board is drawing too much current.	Contact your authorized service representative. ¹
623:STACKER FAULT	Yes	Stacker is not functioning correctly.	Check for obstructions in the stacker area. If fault persists, contact your authorized service representative. ¹
624:UPPER DRIVER SHORT*	No	Upper Driver Short. Hammer driver circuits on the boards shorted to ground.	Cycle power to see if the message clears, if not, contact your authorized service representative. ¹
625:WRONG E-NET Remove NIC	Yes	Incompatible network interface card (NIC) is installed.	Install a compatible NIC to the printer then reboot. If this message still appears, contact your authorized service representative. ¹
700:A TO D OVERUN*	No	Analog to Digital Overrun. The analog-to-digital converter overflowed.	Contact your authorized service representative. ¹
701:ACCESS NULL POINTER*	No	Access Null Pointer: The processor tried to access a pointer that contains nothing (null).	Contact your authorized service representative. ¹
702:FIRMWARE ERROR*	No	Application software tried to perform an illegal printer function or damaged memory detected on the controller board.	Contact your authorized service representative. ¹
703:ILLEGAL EXTERNAL BUS ACC*	No	Illegal External Bus Access. Firmware error on the controller board.	Contact your authorized service representative. ¹
704:ILLEGAL INSTRUCTION ACC*	No	Illegal Instruction Accessed. Firmware error on the controller board.	Contact your authorized service representative. ¹
705:ILLEGAL OPERAND ACCESS*	No	Illegal Operand Accessed. Firmware error on controller board.	Contact your authorized service representative. ¹
706:PAP BAD TABLE*	No	Paper Bad Table. The paper feed process on the controller board has a corrupted table.	Contact your authorized service representative. ¹

Table 10. LCD Message Troubleshooting Table

Displayed Message	Can User Correct?	Explanation	Solution
707:PAPER BUSY TOO LONG*	No	Paper Busy Too Long. Firmware error on controller board.	Contact your authorized service representative. ¹
708:PAPER FIFO OVERFLOW*	No	Paper First In First Out Overflow. Firmware error on controller board.	Contact your authorized service representative. ¹
709:PAPER FIFO UNDERFLOW*	No	Paper First In First Out Underflow. Firmware error on controller board.	Contact your authorized service representative. ¹
710:PAP ILLGL ST*	No	Paper Illegal State. Firmware error on controller board.	Contact your authorized service representative. ¹
711:PAP INCMPL ENER*	No	Paper Incompletely Energized. Firmware error on controller board.	Contact your authorized service representative. ¹
712:PAP INVLD CMD*	No	Paper Invalid Command. Firmware error on controller board.	Contact your authorized service representative. ¹
713:PAP INVLD PARM*	No	Paper Invalid Parameter. Firmware error on controller board.	Contact your authorized service representative. ¹
714:PAP NOT SCHED*	No	Paper Not Scheduled. The paper feed process is not scheduling on the controller board, and the printer cannot feed paper.	Contact your authorized service representative. ¹
715:PAP NT AT SPEED*	No	Paper Not At Speed. Firmware error on controller board.	Contact your authorized service representative. ¹
716:PAP UNEXP INT*	No	Paper Unexpected Interrupt. Firmware error on controller board.	Contact your authorized service representative. ¹
717:PLAT INV CMD*	No	Platen Invalid Command. Firmware error on controller board.	Contact your authorized service representative. ¹
718:PLAT INV PARM*	No	Platen Invalid Parameter. Firmware error on controller board.	Contact your authorized service representative. ¹
719:PLAT INV STATE*	No	Platen Invalid State. Firmware error on controller board.	Contact your authorized service representative. ¹

Table 10. LCD Message Troubleshooting Table

Displayed Message	Can User Correct?	Explanation	Solution
720:PROTECTED INSTRUCTION*	No	Protected Instruction. Firmware error on controller board.	Contact your authorized service representative. ¹
721:RIB INVLD CMD* See User Manual	Yes	Ribbon Invalid Command. Firmware error on the controller board.	Cycle power. Run the print job again. If the message appears, download the emulation software again. If the message appears again, contact your authorized service representative. ¹
723:SHUTL INV CMD*	No	Shuttle Invalid Command. Firmware error on controller board.	Contact your authorized service representative. ¹
724 SHUTL INV PARM*	No	Shuttle Invalid Parameter. Firmware error on controller board.	Contact your authorized service representative. ¹
725:SHUTL OVER SPEED*	No	The shuttle is oscillating too rapidly.	Contact your authorized service representative. ¹
727:SOFTWARE ERROR*	No	Application software tried to perform illegal printer function, or damaged logic circuits found on controller board.	Contact your authorized service representative. ¹
728:STACK OVERFLOW*	No	Firmware error on controller board.	Contact your authorized service representative. ¹
729:STACK UNDERFLOW*	No	Firmware error on the controller board.	Contact your authorized service representative. ¹
730:TCB CORRUPTED*	No	Task Control Block Corrupted. Firmware error on controller board.	Contact your authorized service representative. ¹
731:UNDEFINED INTERRUPT*	No	Undefined Interrupt. Firmware error on controller board.	Contact your authorized service representative. ¹
732:UNDEFINED OPCODE	No	Undefined Opcode. Firmware error on controller board.	Contact your authorized service representative. ¹

Table 10. LCD Message Troubleshooting Table

Displayed Message	Can User Correct?	Explanation	Solution
733 DP FIFO Busy*	Yes	There is a timing problem in the Engine Controller firmware.	<ol style="list-style-type: none"> 1. Cycle power. Run the print job again. If the message reappears, download the emulation software again. 2. Cycle power. Run the print job again. If the message reappears, contact your authorized service representative.¹
ACTIVATE LOST	No	The printer detects a twinax protocol communication error and reports the error.	Contact your authorized service representative. ¹
B00 STATUS: SDRAM DETECTION 166MHZ	No	Status message: the printer has begun its boot-up routines and is checking for the presence of SDRAM.	No action required.
B01 STATUS: 8245 SDRAM TEST 32MB	No	Status message: printer boot-up routines are testing SDRAM.	No action required.
B10 ERROR: NO DRAM DETECTED*	No	SDRAM DIMM may not be properly installed. Boot-up routines did not detect the presence of the SDRAM DIMM.	Cycle power to see if the message clears, if not, contact your authorized service representative. ¹
B11 ERROR: RAM TEST FAILED*	No	SDRAM failed the boot initialization test. SDRAM DIMM may not be properly installed.	Cycle power to see if the message clears, if not, contact your authorized service representative. ¹
B12 ERROR: PROGRAM MISSING*	Yes	The printer does not see a program in flash memory.	There is no program in printer memory. Download an emulation.
B13 ERROR: NOT COMPATIBLE*	No	Attempting to download a program that is not compatible with the printer.	Cycle power to see if the message clears, if not, contact your authorized service representative. ¹
B19 ERROR: DC RETURNED*	No	The message indicates an incorrectly assembled and tested machine.	Cycle power to see if the message clears, if not, contact your authorized service representative. ¹

Table 10. LCD Message Troubleshooting Table

Displayed Message	Can User Correct?	Explanation	Solution
B20 STATUS :00% DOWNLOAD MODE	No	Status message informing the operator that software is being downloaded. Percentage figure indicates approximate amount loaded into the printer.	No action is required.
B21 STATUS: PRINTER RESET	No	Status message informing the operator that the printer is undergoing a system reset.	No action is required.
B22 ERROR: DECOMPRESS SIZE*	No	FLASH memory has not passed boot initialization tests.	Cycle power to see if the message clears, if not, contact your authorized service representative. ¹
B23 ERROR: DECOMPRESS CKSUM*	No	FLASH memory has not passed boot initialization tests.	Cycle power to see if the message clears, if not, contact your authorized service representative. ¹
B30 STATUS: INITIALIZING...	N/A	Status message: the printer is running its initialization routines after startup and successful memory tests.	No action is required.
B35 STATUS: WAITING FOR EC STATUS	N/A	Status message: the DC on the controller board is waiting for communication with the EC. If this message does not clear within a few seconds there is an electrical or electronic problem on the controller board.	Cycle power to see if the message clears, if not, contact your authorized service representative. ¹
B40 ERROR: SDRAM EEPROM CKSUM BAD*	No	Flash memory has not passed boot initialization tests.	Cycle power to see if the message clears, if not, contact your authorized service representative. ¹
B41 ERROR: DIM MEMORY NOT SDRAM*	No	The DRAM DIMM installed on the controller board is not Synchronous DRAM (SDRAM).	Cycle power to see if the message clears, if not, contact your authorized service representative. ¹
B42 ERROR: SDRAM ROWS NOT ALLOWED*	No	Printer boot initialization tests detect incorrect SDRAM.	Cycle power to see if the message clears, if not, contact your authorized service representative. ¹

Table 10. LCD Message Troubleshooting Table

Displayed Message	Can User Correct?	Explanation	Solution
B43 ERROR: SDRAM TOO MANY BANKS*	No	Printer boot initialization tests detect incorrect SDRAM.	Cycle power to see if the message clears, if not, contact your authorized service representative. ¹
B44 ERROR: SDRAM NOT 64 BITS WIDE*	No	Printer boot initialization tests detect incorrect SDRAM.	Cycle power to see if the message clears, if not, contact your authorized service representative. ¹
B45 ERROR: SDRAM IS WRONG VOLTAGE*	No	Printer boot initialization tests detect incorrect SDRAM.	Cycle power to see if the message clears, if not, contact your authorized service representative. ¹
B46 ERROR: SDRAM HAS MIXED SIZES*	No	Printer boot initialization tests detect incorrect SDRAM.	Cycle power to see if the message clears, if not, contact your authorized service representative. ¹
B47 ERROR: SDRAM LARGER THAN 256M*	No	Printer boot initialization tests detect incorrect SDRAM.	Cycle power to see if the message clears, if not, contact your authorized service representative. ¹
B49 ERROR: SDRAM # LOGICAL BANKS*	No	Printer boot initialization tests detect incorrect SDRAM.	Cycle power to see if the message clears, if not, contact your authorized service representative. ¹
B50 ERROR: SDRAM LOGIC COMB BANKS*	No	SDRAM DIMM is not compatible with the computer. SDRAM DIMM may not be properly installed.	Cycle power to see if the message clears, if not, contact your authorized service representative. ¹
B51 STATUS: XX% LOADING...	No	Status message: printer boot-up routines are loading printer system software into flash memory and SDRAM.	No action required.
B53 ERROR: 12C NO ARBITRATION	No	There is a problem on the I ² C bus which allows the SDRAM DIMM to communicate with the GPIO or CT interface.	Cycle power to see if the message clears, if not, contact your authorized service representative. ¹
B54 ERROR: SDA LINE STUCK LOW	No	The SDRAM or a PCI card is shorting out the serial data bus on the controller board.	Cycle power to see if the message clears, if not, contact your authorized service representative. ¹

Table 10. LCD Message Troubleshooting Table

Displayed Message	Can User Correct?	Explanation	Solution
CLEARING PROGRAM FROM FLASH	No	Status message: emulation software successfully loaded into printer RAM and the checksum matched. The old program is now being deleted from flash memory.	No action is required.
D50 Status %XX Clearing Flash	No	Status message: The printer is clearing its flash memory, where %XX represents the percentage completed.	No action is required.
D51 Status %XX Programming...	No	Status message: The printer is loading firmware, where %XX represents the percentage completed.	No action is required.
D55 Status: Send Program to EC	No	Status message: The printer is loading the engine controller program into the engine controller (EC).	No action is required.
DIAGNOSTIC PASSED	No	Status message: the printer passed its memory and hardware initialization tests.	No action is required.
DO NOT POWER OFF	No	Status message: The printer is performing an operation that must be completed before you can cycle power.	No action is required, but do not power off the printer until the operation is complete.
E00 EXE @ ADDR0 See User Manual	Yes	An illegal or unsupported instruction was attempted in the application program.	<ol style="list-style-type: none"> 1. Cycle Power. Run the print job again. If the message appears, load the latest emulation software. 2. Cycle power. Run the print job again. If the message appears, record the display message and send it to your next higher support facility.

Table 10. LCD Message Troubleshooting Table

Displayed Message	Can User Correct?	Explanation	Solution
E01A TYPE 0x40 See User Manual	Yes	An illegal or unsupported instruction was attempted in the application program.	<ol style="list-style-type: none"> 1. Cycle Power. Run the print job again. If the message appears, load the latest emulation software. 2. Cycle power. Run the print job again. If the message appears, record the display message and send it to your next higher support facility.
E01B TYPE 0x60 See User Manual	Yes	An illegal or unsupported instruction was attempted in the application program.	<ol style="list-style-type: none"> 1. Cycle Power. Run the print job again. If the message appears, load the latest emulation software. 2. Cycle power. Run the print job again. If the message appears, record the display message and send it to your next higher support facility.
E02 MACHINE CHK See User Manual	Yes	An illegal or unsupported instruction was attempted in the application program.	<ol style="list-style-type: none"> 1. Cycle Power. Run the print job again. If the message appears, load the latest emulation software. 2. Cycle power. Run the print job again. If the message appears, record the display message and send it to your next higher support facility.

Table 10. LCD Message Troubleshooting Table

Displayed Message	Can User Correct?	Explanation	Solution
E03A DSI HASH L See User Manual	Yes	An illegal or unsupported instruction was attempted in the application program.	<ol style="list-style-type: none"> 1. Cycle Power. Run the print job again. If the message appears, load the latest emulation software. 2. Cycle power. Run the print job again. If the message appears, record the display message and send it to your next higher support facility.
E03B DSI HASH S See User Manual	Yes	An illegal or unsupported instruction was attempted in the application program.	<ol style="list-style-type: none"> 1. Cycle Power. Run the print job again. If the message appears, load the latest emulation software. 2. Cycle power. Run the print job again. If the message appears, record the display message and send it to your next higher support facility.
E03C DSI BAT PL See User Manual	Yes	An illegal or unsupported instruction was attempted in the application program.	<ol style="list-style-type: none"> 1. Cycle Power. Run the print job again. If the message appears, load the latest emulation software. 2. Cycle power. Run the print job again. If the message appears, record the display message and send it to your next higher support facility.

Table 10. LCD Message Troubleshooting Table

Displayed Message	Can User Correct?	Explanation	Solution
E03D DSI BAT PS See User Manual	Yes	An illegal or unsupported instruction was attempted in the application program.	<ol style="list-style-type: none"> 1. Cycle Power. Run the print job again. If the message appears, load the latest emulation software. 2. Cycle power. Run the print job again. If the message appears, record the display message and send it to your next higher support facility.
E03E DSI CXIWX See User Manual	Yes	An illegal or unsupported instruction was attempted in the application program.	<ol style="list-style-type: none"> 1. Cycle Power. Run the print job again. If the message appears, load the latest emulation software. 2. Cycle power. Run the print job again. If the message appears, record the display message and send it to your next higher support facility.
E03F DSI CXOWX See User Manual	Yes	An illegal or unsupported instruction was attempted in the application program.	<ol style="list-style-type: none"> 1. Cycle Power. Run the print job again. If the message appears, load the latest emulation software. 2. Cycle power. Run the print job again. If the message appears, record the display message and send it to your next higher support facility.

Table 10. LCD Message Troubleshooting Table

Displayed Message	Can User Correct?	Explanation	Solution
E03G DSI ECXIWX See User Manual	Yes	An illegal or unsupported instruction was attempted in the application program.	<ol style="list-style-type: none"> 1. Cycle Power. Run the print job again. If the message appears, load the latest emulation software. 2. Cycle power. Run the print job again. If the message appears, record the display message and send it to your next higher support facility.
E03H DSI ECXOWX See User Manual	Yes	An illegal or unsupported instruction was attempted in the application program.	<ol style="list-style-type: none"> 1. Cycle Power. Run the print job again. If the message appears, load the latest emulation software. 2. Cycle power. Run the print job again. If the message appears, record the display message and send it to your next higher support facility.
E04A ISI NO TRA See User Manual	Yes	An illegal or unsupported instruction was attempted in the application program.	<ol style="list-style-type: none"> 1. Cycle Power. Run the print job again. If the message appears, load the latest emulation software. 2. Cycle power. Run the print job again. If the message appears, record the display message and send it to your next higher support facility.

Table 10. LCD Message Troubleshooting Table

Displayed Message	Can User Correct?	Explanation	Solution
E04B ISI DIRECT See User Manual	Yes	An illegal or unsupported instruction was attempted in the application program.	<ol style="list-style-type: none"> 1. Cycle Power. Run the print job again. If the message appears, load the latest emulation software. 2. Cycle power. Run the print job again. If the message appears, record the display message and send it to your next higher support facility.
E04C ISI PROTEC See User Manual	Yes	An illegal or unsupported instruction was attempted in the application program.	<ol style="list-style-type: none"> 1. Cycle Power. Run the print job again. If the message appears, load the latest emulation software. 2. Cycle power. Run the print job again. If the message appears, record the display message and send it to your next higher support facility.
E06 NOT ALIGNED See User Manual	Yes	An illegal or unsupported instruction was attempted in the application program.	<ol style="list-style-type: none"> 1. Cycle Power. Run the print job again. If the message appears, load the latest emulation software. 2. Cycle power. Run the print job again. If the message appears, record the display message and send it to your next higher support facility.

Table 10. LCD Message Troubleshooting Table

Displayed Message	Can User Correct?	Explanation	Solution
E07 ILLEGAL INS See User Manual	Yes	An illegal or unsupported instruction was attempted in the application program.	<ol style="list-style-type: none"> 1. Cycle Power. Run the print job again. If the message appears, load the latest emulation software. 2. Cycle power. Run the print job again. If the message appears, record the display message and send it to your next higher support facility.
E08 FLOATINGPNT See User Manual	Yes	An illegal or unsupported instruction was attempted in the application program.	<ol style="list-style-type: none"> 1. Cycle Power. Run the print job again. If the message appears, load the latest emulation software. 2. Cycle power. Run the print job again. If the message appears, record the display message and send it to your next higher support facility.
E12 SYSTEM CALL See User Manual	Yes	An illegal or unsupported instruction was attempted in the application program.	<ol style="list-style-type: none"> 1. Cycle Power. Run the print job again. If the message appears, load the latest emulation software. 2. Cycle power. Run the print job again. If the message appears, record the display message and send it to your next higher support facility.

Table 10. LCD Message Troubleshooting Table

Displayed Message	Can User Correct?	Explanation	Solution
E13 TRACE INT See User Manual	Yes	An illegal or unsupported instruction was attempted in the application program.	<ol style="list-style-type: none"> 1. Cycle Power. Run the print job again. If the message appears, load the latest emulation software. 2. Cycle power. Run the print job again. If the message appears, record the display message and send it to your next higher support facility.
E16 ITRANS MISS See User Manual	Yes	An illegal or unsupported instruction was attempted in the application program.	<ol style="list-style-type: none"> 1. Cycle Power. Run the print job again. If the message appears, load the latest emulation software. 2. Cycle power. Run the print job again. If the message appears, record the display message and send it to your next higher support facility.
E17 DLOAD MISS See User Manual	Yes	An illegal or unsupported instruction was attempted in the application program.	<ol style="list-style-type: none"> 1. Cycle Power. Run the print job again. If the message appears, load the latest emulation software. 2. Cycle power. Run the print job again. If the message appears, record the display message and send it to your next higher support facility.

Table 10. LCD Message Troubleshooting Table

Displayed Message	Can User Correct?	Explanation	Solution
E18 DSTORE MISS See User Manual	Yes	An illegal or unsupported instruction was attempted in the application program.	<ol style="list-style-type: none"> 1. Cycle Power. Run the print job again. If the message appears, load the latest emulation software. 2. Cycle power. Run the print job again. If the message appears, record the display message and send it to your next higher support facility.
E19 BREAKPOINT See User Manual	Yes	An illegal or unsupported instruction was attempted in the application program.	<ol style="list-style-type: none"> 1. Cycle Power. Run the print job again. If the message appears, load the latest emulation software. 2. Cycle power. Run the print job again. If the message appears, record the display message and send it to your next higher support facility.
E20 SYS MANAGE See User Manual	Yes	An illegal or unsupported instruction was attempted in the application program.	<ol style="list-style-type: none"> 1. Cycle Power. Run the print job again. If the message appears, load the latest emulation software. 2. Cycle power. Run the print job again. If the message appears, record the display message and send it to your next higher support facility.

Table 10. LCD Message Troubleshooting Table

Displayed Message	Can User Correct?	Explanation	Solution
E30 DEBUGGER See User Manual	Yes	An illegal or unsupported instruction was attempted in the application program.	<ol style="list-style-type: none"> 1. Cycle Power. Run the print job again. If the message appears, load the latest emulation software. 2. Cycle power. Run the print job again. If the message appears, record the display message and send it to your next higher support facility.
E31A EVENT O BP See User Manual	Yes	An illegal or unsupported instruction was attempted in the application program.	<ol style="list-style-type: none"> 1. Cycle Power. Run the print job again. If the message appears, load the latest emulation software. 2. Cycle power. Run the print job again. If the message appears, record the display message and send it to your next higher support facility.
E31B EVENT 1 BP See User Manual	Yes	An illegal or unsupported instruction was attempted in the application program.	<ol style="list-style-type: none"> 1. Cycle Power. Run the print job again. If the message appears, load the latest emulation software. 2. Cycle power. Run the print job again. If the message appears, record the display message and send it to your next higher support facility.

Table 10. LCD Message Troubleshooting Table

Displayed Message	Can User Correct?	Explanation	Solution
E31C EVENT 2 BP See User Manual	Yes	An illegal or unsupported instruction was attempted in the application program.	<ol style="list-style-type: none"> 1. Cycle Power. Run the print job again. If the message appears, load the latest emulation software. 2. Cycle power. Run the print job again. If the message appears, record the display message and send it to your next higher support facility.
E31D EVENT 3 BP See User Manual	Yes	An illegal or unsupported instruction was attempted in the application program.	<ol style="list-style-type: none"> 1. Cycle Power. Run the print job again. If the message appears, load the latest emulation software. 2. Cycle power. Run the print job again. If the message appears, record the display message and send it to your next higher support facility.
E31E EVENT 4 BP See User Manual	Yes	An illegal or unsupported instruction was attempted in the application program.	<ol style="list-style-type: none"> 1. Cycle Power. Run the print job again. If the message appears, load the latest emulation software. 2. Cycle power. Run the print job again. If the message appears, record the display message and send it to your next higher support facility.

Table 10. LCD Message Troubleshooting Table

Displayed Message	Can User Correct?	Explanation	Solution
E31F EVENT 5 BP See User Manual	Yes	An illegal or unsupported instruction was attempted in the application program.	<ol style="list-style-type: none"> 1. Cycle Power. Run the print job again. If the message appears, load the latest emulation software. 2. Cycle power. Run the print job again. If the message appears, record the display message and send it to your next higher support facility.
E31G EVENT 6 BP See User Manual	Yes	An illegal or unsupported instruction was attempted in the application program.	<ol style="list-style-type: none"> 1. Cycle Power. Run the print job again. If the message appears, load the latest emulation software. 2. Cycle power. Run the print job again. If the message appears, record the display message and send it to your next higher support facility.
E31H EVENT 7 BP See User Manual	Yes	An illegal or unsupported instruction was attempted in the application program.	<ol style="list-style-type: none"> 1. Cycle Power. Run the print job again. If the message appears, load the latest emulation software. 2. Cycle power. Run the print job again. If the message appears, record the display message and send it to your next higher support facility.

Table 10. LCD Message Troubleshooting Table

Displayed Message	Can User Correct?	Explanation	Solution
E32A CND 0 BP See User Manual	Yes	An illegal or unsupported instruction was attempted in the application program.	<ol style="list-style-type: none"> 1. Cycle Power. Run the print job again. If the message appears, load the latest emulation software. 2. Cycle power. Run the print job again. If the message appears, record the display message and send it to your next higher support facility.
E32B CND 1 BP See User Manual	Yes	An illegal or unsupported instruction was attempted in the application program.	<ol style="list-style-type: none"> 1. Cycle Power. Run the print job again. If the message appears, load the latest emulation software. 2. Cycle power. Run the print job again. If the message appears, record the display message and send it to your next higher support facility.
E32C CND 2 BP See User Manual	Yes	An illegal or unsupported instruction was attempted in the application program.	<ol style="list-style-type: none"> 1. Cycle Power. Run the print job again. If the message appears, load the latest emulation software. 2. Cycle power. Run the print job again. If the message appears, record the display message and send it to your next higher support facility.

Table 10. LCD Message Troubleshooting Table

Displayed Message	Can User Correct?	Explanation	Solution
E32D CND 3 BP See User Manual	Yes	An illegal or unsupported instruction was attempted in the application program.	<ol style="list-style-type: none"> 1. Cycle Power. Run the print job again. If the message appears, load the latest emulation software. 2. Cycle power. Run the print job again. If the message appears, record the display message and send it to your next higher support facility.
E32E CND 4 BP See User Manual	Yes	An illegal or unsupported instruction was attempted in the application program.	<ol style="list-style-type: none"> 1. Cycle Power. Run the print job again. If the message appears, load the latest emulation software. 2. Cycle power. Run the print job again. If the message appears, record the display message and send it to your next higher support facility.
E32F CND 5 BP See User Manual	Yes	An illegal or unsupported instruction was attempted in the application program.	<ol style="list-style-type: none"> 1. Cycle Power. Run the print job again. If the message appears, load the latest emulation software. 2. Cycle power. Run the print job again. If the message appears, record the display message and send it to your next higher support facility.

Table 10. LCD Message Troubleshooting Table

Displayed Message	Can User Correct?	Explanation	Solution
E32G CND 6 BP See User Manual	Yes	An illegal or unsupported instruction was attempted in the application program.	<ol style="list-style-type: none"> 1. Cycle Power. Run the print job again. If the message appears, load the latest emulation software. 2. Cycle power. Run the print job again. If the message appears, record the display message and send it to your next higher support facility.
E32H CND 7 BP See User Manual	Yes	An illegal or unsupported instruction was attempted in the application program.	<ol style="list-style-type: none"> 1. Cycle Power. Run the print job again. If the message appears, load the latest emulation software. 2. Cycle power. Run the print job again. If the message appears, record the display message and send it to your next higher support facility.
E33 WRITE BP See User Manual	Yes	An illegal or unsupported instruction was attempted in the application program.	<ol style="list-style-type: none"> 1. Cycle Power. Run the print job again. If the message appears, load the latest emulation software. 2. Cycle power. Run the print job again. If the message appears, record the display message and send it to your next higher support facility.

Table 10. LCD Message Troubleshooting Table

Displayed Message	Can User Correct?	Explanation	Solution
E34 TRACE CMPLT See User Manual	Yes	An illegal or unsupported instruction was attempted in the application program.	<ol style="list-style-type: none"> 1. Cycle Power. Run the print job again. If the message appears, load the latest emulation software. 2. Cycle power. Run the print job again. If the message appears, record the display message and send it to your next higher support facility.
E99 UNKNOWN INT See User Manual	Yes	An illegal or unsupported instruction was attempted in the application program.	<ol style="list-style-type: none"> 1. Cycle Power. Run the print job again. If the message appears, load the latest emulation software. 2. Cycle power. Run the print job again. If the message appears, record the display message and send it to your next higher support facility.
E Net Test Unavailable	Yes	The ethernet PCBA did not initialize correctly.	Cycle power. Wait for "E Net Ready" to display, then retry operation. If it still fails, contact your authorized service representative. ¹
ERROR: CPLD NOT PROGRAMMED	No	The Complex Programmable Logic Device (CPLD) on the controller board is not programmed. The EC cannot read the version bits in the CPLD which tell the EC which configuration version is installed.	Contact your authorized service representative. ¹
ERROR: DC PROGRAM NOT VALID	Yes	The printer cannot find the data controller program or the validation checksum is corrupt.	Download the program again. If the message appears, contact your authorized service representative. ¹

Table 10. LCD Message Troubleshooting Table

Displayed Message	Can User Correct?	Explanation	Solution
ERROR: DRAM AT ADDRESS XXXXXXXX	Yes	The printer cannot find the engine controller program or the validation checksum is corrupt.	Download the program again. If the message appears, contact your authorized service representative. ¹
ERROR: EC PROGRAM NOT VALID		The printer cannot find the engine controller program or the validation checksum is corrupt.	Download the program again. If the message occurs again, contact your authorized service representative. ¹
ERROR: EC STOPPED AT STATE XXXX	No	XXXX is a number from 0000 to 0010. The Engine Controller has stopped and is in the state identified by the number displayed.	Contact your authorized service representative. ¹
ERROR: FLASH DID NOT PROGRAM	Yes	The printer encountered an error trying to program flash memory.	Download the program again. If the message displays again, contact your authorized service representative. ¹
ERROR: FLASH NOT DETECTED	No	The printer could not find flash memory.	Contact your authorized service representative. ¹
ERROR: LOCKED SN=nnnnnnnnnnnnnnnnnn nnnnnn	No	nnnnnnnnnnnnnnnnnnnnnn is the serial number of the printer's security key. The SPX serial number does not match the printer's serial number and cannot be used with the printer.	Contact your authorized service representative. ¹
ERROR: NO DRAM DETECTED	No	The printer could not find any DRAM.	Contact your authorized service representative. ¹
ERROR: NVRAM FAILURE	No	The non-volatile SRAM on the controller board has failed.	Contact your authorized service representative. ¹
ERROR OCCURRED FLUSHING QUEUES*	No	An interim message that displays while the printer discards host data it cannot use because a fault condition exists.	Wait. When the asterisk (*) stops rotating, a different fault message will appear: troubleshoot the final message.
ERROR: PROGRAM NEEDS MORE DRAM	No	The printer requires more DRAM to run the downloaded program.	Contact your authorized service representative. ¹
ERROR: PROGRAM NEEDS MORE FLASH	No	The printer requires more flash memory to run the downloaded program	Contact your authorized service representative. ¹

Table 10. LCD Message Troubleshooting Table

Displayed Message	Can User Correct?	Explanation	Solution
ERROR: PROGRAM NOT COMPATIBLE	Yes	The printer is not compatible with the downloaded program.	Use the correct emulation software options(s) for this printer model.
ERROR: PROGRAM NOT VALID	Yes	The printer does not see a program in flash memory.	There is no program in printer memory. Download the emulation.
ERROR: SECURITY KEY NOT DETECTED	No	The security key is not present or failed.	Contact your authorized service representative. ¹
ERROR: SHORT AT ADDRESS XXXX	No	Hardware failure in SDRAM or controller circuitry.	Contact your authorized service representative. ¹
ERROR: WRITING TO FLASH	No	Hardware or software fault in flash memory.	Contact your authorized service representative. ¹
ERROR: WRONG CHECKSUM	No	The printer received the complete program but the checksum did not match. The data may have been corrupted during downloading.	Contact your authorized service representative. ¹
ERROR: WRONG OEM	No	The SPX inserted in the debug port is not intended for this model printer or this OEM.	Contact your authorized service representative. ¹
ERROR: WRONG PRINTER TYPE	No	The SPX inserted in the debug port is not intended for this model printer or this OEM.	Contact your authorized service representative. ¹
ETHERNET ADAPTER BEING INITIALIZED	N/A	Status message indicating that the ethernet interface is processing the boot procedure.	No action is required.
ETHERNET DETECTED	N/A	Status message indicating that the Network Interface Card has established connection.	No action is required.
ETHERNET INITIALIZING	No	Status message: the internal Network Interface Card is processing the boot procedure. (May occur with older versions of microcode.)	No action is required.
FM HEADER ERROR*	No	Frame Header Error. Application software has violated header parameters.	Contact your system administrator.

Table 10. LCD Message Troubleshooting Table

Displayed Message	Can User Correct?	Explanation	Solution
GRF CHK ERROR PRESS STOP	Yes	Graphic Check Error: in the CT emulation over a twinax interface, the printer received a non-printable character.	Press CLEAR and then ON LINE.
H00: PCI SLOT ? See User Manual	No	The controller board is not communicating with a PCI card. This could indicate a bad PCI card, poor connection, or problem in the PCI bus.	Contact your authorized service representative. ¹
H01: PCI J12 See User Manual	No	The controller board is not communicating with the PCI card in PCI slot J12. This could indicate a bad PCI card, poor connection, or problem in the PCI bus.	Contact your authorized service representative. ¹
H02: PCI J13 See User Manual	No	The controller board is not communicating with the PCI card in PCI slot J13. This could indicate a bad PCI card, poor connection, or problem in the PCI bus.	Contact your authorized service representative. ¹
<Online, etc...> Half Speed Mode	No	Status message: The controller samples the operating temperature of key components of the print mechanism. When higher than normal temperatures are sensed, the print speed is automatically reduced by 50% and the message sent the LCD. When the components cool down, the print speed returns to 100% and the message clears.	No action is required. If the message appears often, contact your authorized service representative. ¹
HAM. COIL OPEN*	No	Hammer Coil Open. Electrical malfunction of one or more hammer coils.	Contact your authorized service representative. ¹
HAMMER SHORT* See User Manual	No	Electrical malfunction of one or more hammer coils.	Contact your authorized service representative. ¹
INTAKE FAN FAULT	Yes	Sensors cannot detect current in fan circuit.	Cycle power. If the message appears, press CLEAR. If the message does not clear, contact your authorized service representative. ¹

Table 10. LCD Message Troubleshooting Table

Displayed Message	Can User Correct?	Explanation	Solution
INTERRUPT UNUSED VECTOR 00	No	The controller board receives an interrupt it does not understand. The problem can be created by electrical noise, by a software problem, or by a hardware problem.	Cycle power. If this message occurred once and never again, you can ignore it. If the message reappears or appears consistently, contact your authorized service representative. ¹
INVALID ACTIVATE	No	Printer detects a twinax protocol communication error.	Contact your authorized service representative. ¹
INVALID COMMAND	No	Printer detects a twinax protocol communication error and reports the error.	Contact your authorized service representative. ¹
LOADING PROGRAM FROM PORT XX%	No	Status message: the new emulation program is loading into printer RAM. XX% indicates how much of the program has loaded.	No action is required.
LOADING PROGRAM INTO FLASH	No	The printer has deleted the previous program from flash memory and is loading the new program into flash memory.	No action is required.
NEW SPX DETECTED PRESS ENTER	No	The printer detects an SPX installed at the debug port and the SPX is valid for the printer.	Contact your authorized service representative. ¹
NON VOLATILE MEMORY FAILED	No	Large emulations reduce the amount of space available for saving configurations, which means that sometimes fewer than eight configurations can be saved.	Contact your authorized service representative. ¹
ON LINE	N/A	Printer state message: printer is online and in communication with host.	No action is required.
ONLINE 28 CU NOT ENAB	Yes	Controller Unit Not Enabled. Poll time-out error. The printer was not polled for one minute across a coax interface.	Check cable connection and host system.
ONLINE 8344 FAILED*	No	Link-level code test detects hardware failure.	Contact your authorized service representative. ¹

Table 10. LCD Message Troubleshooting Table

Displayed Message	Can User Correct?	Explanation	Solution
ONLINE CU TIMED OUT	Yes	Controller Unit Timed Out. The printer was not enabled for one minute or more on a coax interface.	Check cable connection and host system.
PARAMETER ERROR*	No	Illegal parameter value received in command code over a coax/twinax interface.	Contact your system administrator.
PLEASE WAIT... RESET IN PROGRESS	N/A	Status message: the printer finished loading the program into flash memory and is automatically resetting itself.	No action is required.
PRINTER UNDER REMOTE CONTROL	No	Status message: The printer is under the control of PrintNet Enterprise (PNE) remote management software.	No action is required.
QUEUE OVERRUN	No	In CT twinax emulation, the print buffer has overflowed.	Contact your authorized service representative. ¹
REMOVE USED SPX THEN PRESS ENTER	No	Status message: An SPX is depleted because it has successfully reprogrammed the security key on the controller board.	Contact your authorized service representative. ¹
RESTORING BOOT CODE	No	Normal download initialization message.	No action is required.
SCS COMMAND ERROR*	No	In the CT emulation, the printer received undefined control character (hex 40).	Contact your system administrator.
SECURITY VIOLATION*	No	Security code of PAL on controller board does not match code of firmware on the controller board.	Contact your authorized service representative. ¹
SECURITY KEY NOT DETECTED	No	The security key is not present or has failed.	Contact your authorized service representative. ¹
SENDING PROGRAM TO EC PROCESSOR	No	Status message: the printer is loading the engine controller program into the engine controller.	No action is required.
SF ERROR	No	Structured Field Error. Application software has violated structured data field parameters.	Not a printer problem. Have the system administrator correct applications data or configuration.

Table 10. LCD Message Troubleshooting Table

Displayed Message	Can User Correct?	Explanation	Solution
SHUTTLE STALL	Yes	The shuttle is not moving. See "415:SHUTTLE JAM" on page 136.	Set the platen lever to match the thickness of paper, but not too tightly. Check and adjust the platen gap. Inspect the ribbon mask for deformation that snags and interferes with shuttle movement. If fault source is not apparent, contact your authorized service representative. ¹
SPX FOUND, ERROR: KEY NOT DETECTED	No	The controller board does not have a security key.	Contact your authorized service representative. ¹
SPX NOT NEEDED OPTIONS ENABLED	No	The user has attempted to use the SPX to turn on printer options that are already enabled.	Contact your authorized service representative. ¹
TCP PORT BUSY	Yes	Error message reported by the Printer Manager when ethernet interface option is installed. The network address given in the printer properties was reached, but the printer port is busy.	Refer to the <i>Printronix P7000 Maintenance Manual</i> .
WAITING FOR ETHERNET ADAPTER	N/A	Status message: Appears when the printer is first powered on if the optional Network Interface Card is installed.	No action is required.
<p>¹ Before contacting an authorized service representative, power off the printer, wait 15 seconds, then power it back on and rerun your print job. If the message reappears, press CLEAR. If the fault message still displays, then contact your authorized service representative.</p>			

A

Printer Specifications

Ribbon Cartridge Specifications

P/N	Europe	North America	South America	M.E. & Asia	China & India
255048 Ext Life ASCII	(-401) 4 Pack	(-402) 4-Pack	(-403) 4-Pack	(-403) 4-Pack	(-404) 4-Pack
255049 Std Life ASCII	(-401) 4 Pack (-101) Single	(-402) 4-Pack (-102) Single	(-403) 4-Pack (-103) Single	(-403) 4-Pack (-103) Single	(-404) 4-Pack (-104) Single
255050 Ext Life HD/HANZI	(-401) 4 Pack	(-402) 4-Pack	(-403) 4-Pack	(-403) 4-Pack	(-404) 4-Pack
255041 Std life HD/ HANZI	N/A	N/A	(-103) Single	(-403) 4-Pack (-103) Single	(-404) 4-Pack (-104) Single

Paper Specifications

Type: Edge-perforated, fan-fold, 3 to 17 inches (7.62 to 43.18 cm) wide, 2 to 12 inches (5.08 to 30.48 cm) long.

SureStak Power Stacker option works with forms 5 to 12 inches (12.7 to 30.48 cm) long and up to 16 inches (41 cm) wide without the paper tent or 15.5 inches (39.5 cm) wide with the paper tent installed.

Thickness: Single-part: 15 to 100 pound (6.80 to 45.36 kg) stock;
Multi-part: 1- to 6-part forms (maximum 12 lb [5.44 kg] ply of upper plies)

Sheet Thickness: 0.025 inch (0.064 cm) maximum

Drive: Adjustable tractors (6-pin engagement)

Labels

On Backing: One-part continuous perforated fanfold back form. Labels must be placed at least 1/6 inch (0.42 cm) from the fan-fold perforation. Backing adhesive must not be squeezed out during printing.

Sheet Size: 3 to 17 inches (7.62 to 43.18 cm) wide, including the two standard perforated tractor feed strips. A maximum sheet length of 16 inches (40.64 cm) between top and bottom perforations. Power Paper Stacker option is 5 to 12 inches (12.7 to 30.48 cm) long.

NOTE: A 16 inch rear door is needed for the cabinet model. Power Paper Stacker option is 5 to 12 inches (12.7 to 30.48 cm) long.

Thickness: Not to exceed 0.025 inch (0.064 cm) (including backing sheet)

Printer Weight And Dimensions

Cabinet Type	Dimensions			Weight	
	Height	Width	Depth	Unpacked	Packaged
Floor Cabinet	42.5 inches	27 inches	29 inches*	225 lbs.	285 lbs.*
Pedestal	35 inches**	26 inches	21 inches	105 lbs.**	115 lbs.**

* With a power stacker, the weight increases by 21 lbs. and the depth increases by 4.75 inches for a deeper rear door.

** With the ZTP option, the weight increases by 12 lbs. and the height is increased by 7 inches.

Environmental Characteristics

Temperature:

Operating: 50° to 104° F (10° to 40° C) up to 5000 feet (1524 meters)
50° to 90° F (10° to 32° C) up to 8000 feet (2438 meters)

Storage: -40° to 158° F (- 40° to 70° C)

Relative Humidity

Operating: 15% to 80% (noncondensing)

Storage: 15% to 90% (noncondensing)

Acoustic Noise Level

Acoustic Noise Levels per ISO 9296	Cabinet Models	Pedestal Models
Printing	50 dB (200 lpm) 52 dB (300 lpm) 55 dB (600/800 lpm)	65 dB 65 dB NA
	6.8 Bel	8.0 Bel
Standby	48 dB	50 dB
	6.3 Bel	6.5 Bel

Energy Star

The printers described in this *User's Manual* comply with the requirements of the ENERGY STAR[®] Office Equipment Program of the U.S. Environmental Protection Agency.

Electrical Characteristics

Input Voltage

	Voltage (+/-10%)	Freq (+/-10%)	Amps	Watts	BTU/Hr
P7003H P7003H2T	AC 100-120V	50/60 Hz	3.5	300	1025
	AC 200-240V	50/60 Hz	1.6	300	1025
P7006H P7006H2T	AC 100-120V	50/60 Hz	4.5	430	1469
	AC 200-240V	50/60 Hz	1.9	430	1469
P7008H	AC 100-120V	50/60 Hz	5.5	540	1844
	AC 200-240V	50/60 Hz	2.1	540	1844
P7203H	AC 100-120V	50/60 Hz	3.5	350	1195
	AC 200-240V	50/60 Hz	1.6	350	1195
P7206H	AC 100-120V	50/60 Hz	5	460	1571
	AC 200-240V	50/60 Hz	2	460	1571
P7208H	AC 100-120V	50/60 Hz	5.5	540	1844
	AC 200-240V	50/60 Hz	2.1	540	1844

Power Consumption

Operating Mode	Units	Power Consumption		
		200 LPM	300 LPM	600/800 LPM
Standby ¹	Watts	30 (60)	45 (80)	85
	BTU/Hour	100 (205)	154 (273)	289
Nominal ²	Watts	220	310	450
	BTU/Hour	750	1058	1531
Maximum ³	Watts	315	440	650 - 900
	BTU/Hour	1075	1500	2211 - 3062

¹Numbers represent consumption in Power Saver Mode.
Numbers in parenthesis represent standby mode.

²Nominal power measured at 120 VAC while printing ASCII Shift-Recycle.

³Maximum power measured at 120 VAC while printing Black Plot.

Interfaces

Type:	Standard:	IEEE 1284 Parallel, RS-232 serial
	Optional:	Ethernet 10/100Base-T, RS-422 serial (not available in Taiwan)
Logic Levels:		TTL/EIA [®] -232E/EIA-422B
Transfer Rates:		Up to 200 Kilobytes on parallel interface. Up to 19.2K baud on RS-232 serial interface. Up to 115.2K baud on RS-422 serial interface

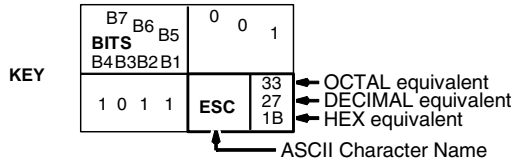
Printing Rates

The printing speed of text is measured in lines per minute (lpm) and is a function of the selected font and the vertical dot density. Printing speed is independent of the number of characters configured in the character set repertoire. Print rates for lines containing attributes such as bold or emphasized printing, superscripts, subscripts, or elongated attributes will decrease to not less than half the rates of the font without such attributes. The exact print rate of lines containing these attributes depends on the specific print job, but software maximizes the throughput by dynamically determining which dot rows contain adjacent dots and must be printed in two strokes.

The reverse paper feed capability allows the printing of multiple densities on a single line. This is useful in printing forms and text together or in mixing different fonts on a print line. Use of multiple densities and reverse paper feed also affects throughput.

B

ASCII Character Set



BITS		COLUMN		1		2		3		4		5		6		7	
B7	B6	B5	0	0	0	0	1	0	1	0	1	1	0	1	1	0	1
B4	B3	B2	B1	ROW	0	1	2	3	4	5	6	7	8	9	10	11	12
0	0	0	0	0	NUL	DLE	SP	0	@	P	\	p					
0	0	0	1	1	SOH	DC1 (XON)	!	1	A	Q	a	q					
0	0	1	0	2	STX	DC2	"	2	B	R	b	r					
0	0	1	1	3	ETX	DC3 (XOFF)	#	3	C	S	c	s					
0	1	0	0	4	EOT	DC4	\$	4	D	T	d	t					
0	1	0	1	5	ENQ	NAK	%	5	E	U	e	u					
0	1	1	0	6	ACK	SYN	&	6	F	V	f	v					
0	1	1	1	7	BEL	ETB	'	7	G	W	g	w					
1	0	0	0	8	BS	CAN	(8	H	X	h	x					
1	0	0	1	9	HT	EM)	9	I	Y	i	y					
1	0	1	0	10	LF	SUB	*	10	J	Z	j	z					
1	0	1	1	11	VT	ESC	+	11	K	[k	{					
1	1	0	0	12	FF	FS	,	12	L	\	l						
1	1	0	1	13	CR	GS	-	13	M]	m	}					
1	1	1	0	14	SO	RS	.	14	N	^	n	~					
1	1	1	1	15	SI	US	/	15	O	_	o	DEL					

C

Zero Tear Pedestal

Overview

The P7000 Zero Tear Pedestal (ZTP) printer can print a form and present it for tear off without losing a form between print jobs. The printer automatically presents the current print line to the tear bar when it finishes printing and no data are being sent to the printer. When it receives more data from the host computer, the printer pulls the form down to the print station and resumes printing.

The ZT printer is available:

- as a 200 lpm, 300 lpm, and 600 lpm H-Series (DBCS) printer
- with HD printers.

Position The Paper Input And Adjust The Paper Guides

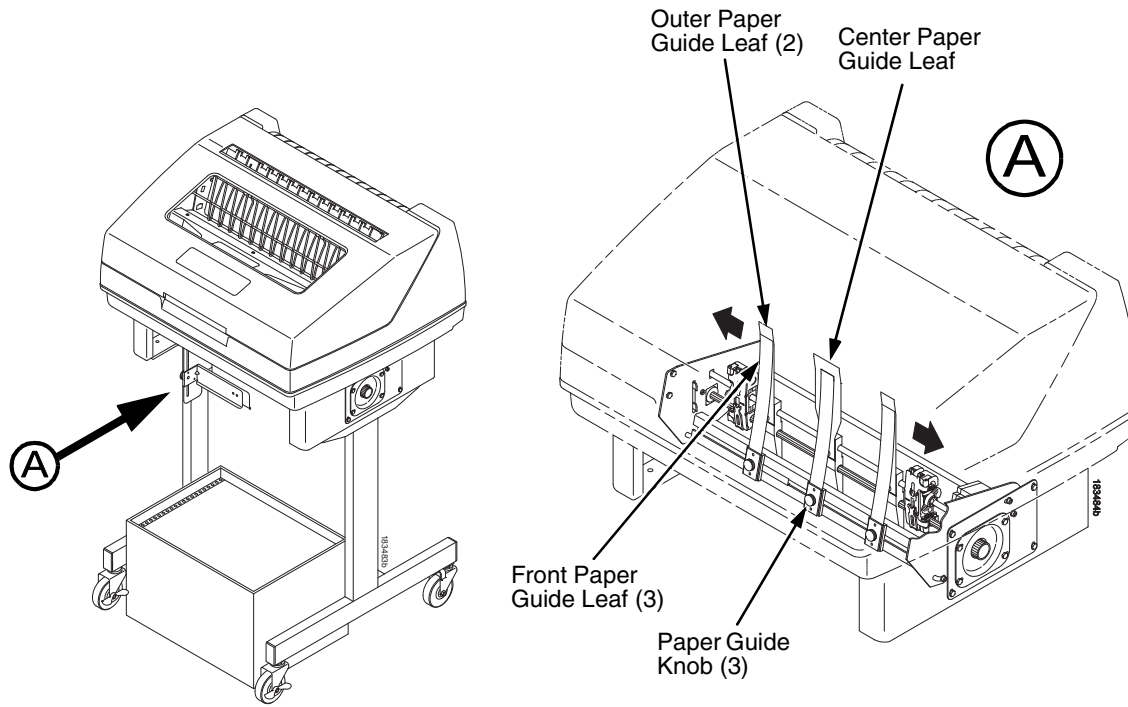


Figure 28. Adjusting The Paper Guides

NOTE: Ensure that the paper guides are not damaged.

1. Remove the left paper guide knob and the left, front paper guide leaf. (See Figure 28.)
2. Remove the right paper guide knob and the right, front paper guide leaf.
3. Remove the center paper guide knob and the center, front paper guide leaf.

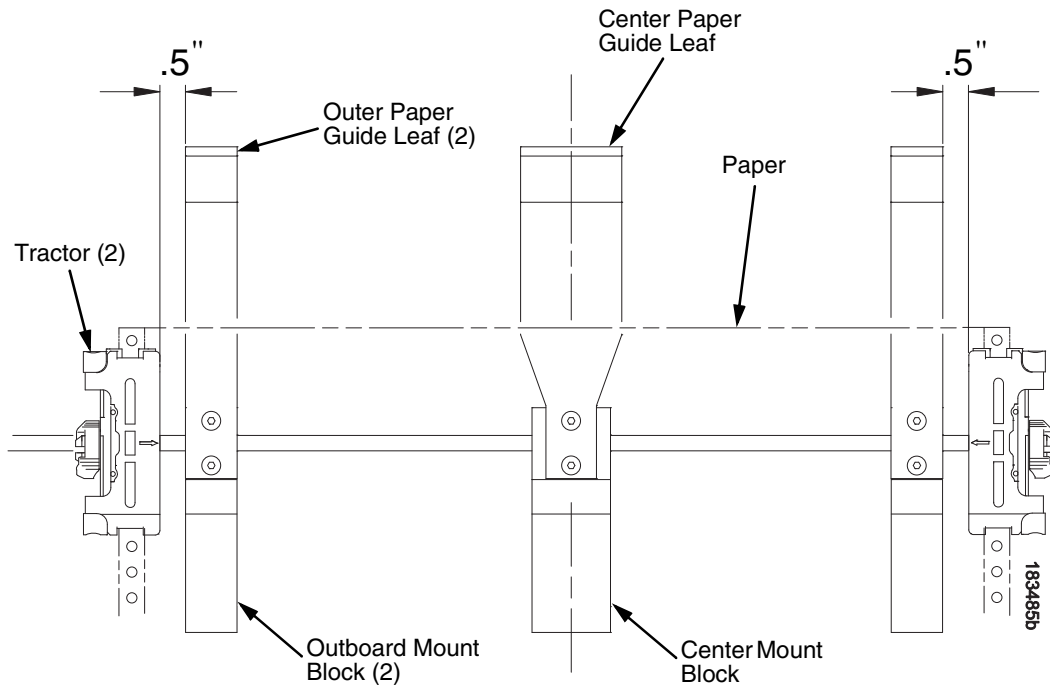


Figure 29. Adjusting Paper Guide Leaves

4. Slide the left outboard mount block so that the left outer paper guide leaf is .5 inches from the left tractor. (See Figure 29).
5. Slide the right outboard mount block so that the right outer paper guide leaf is .5 inches from the right tractor.
6. Slide the center mount block so that the center paper guide leaf is centered between the left and right outer paper guide leaves.
7. Install the paper guide knobs and front paper guide leaves. (See Figure 28.)

Load Paper

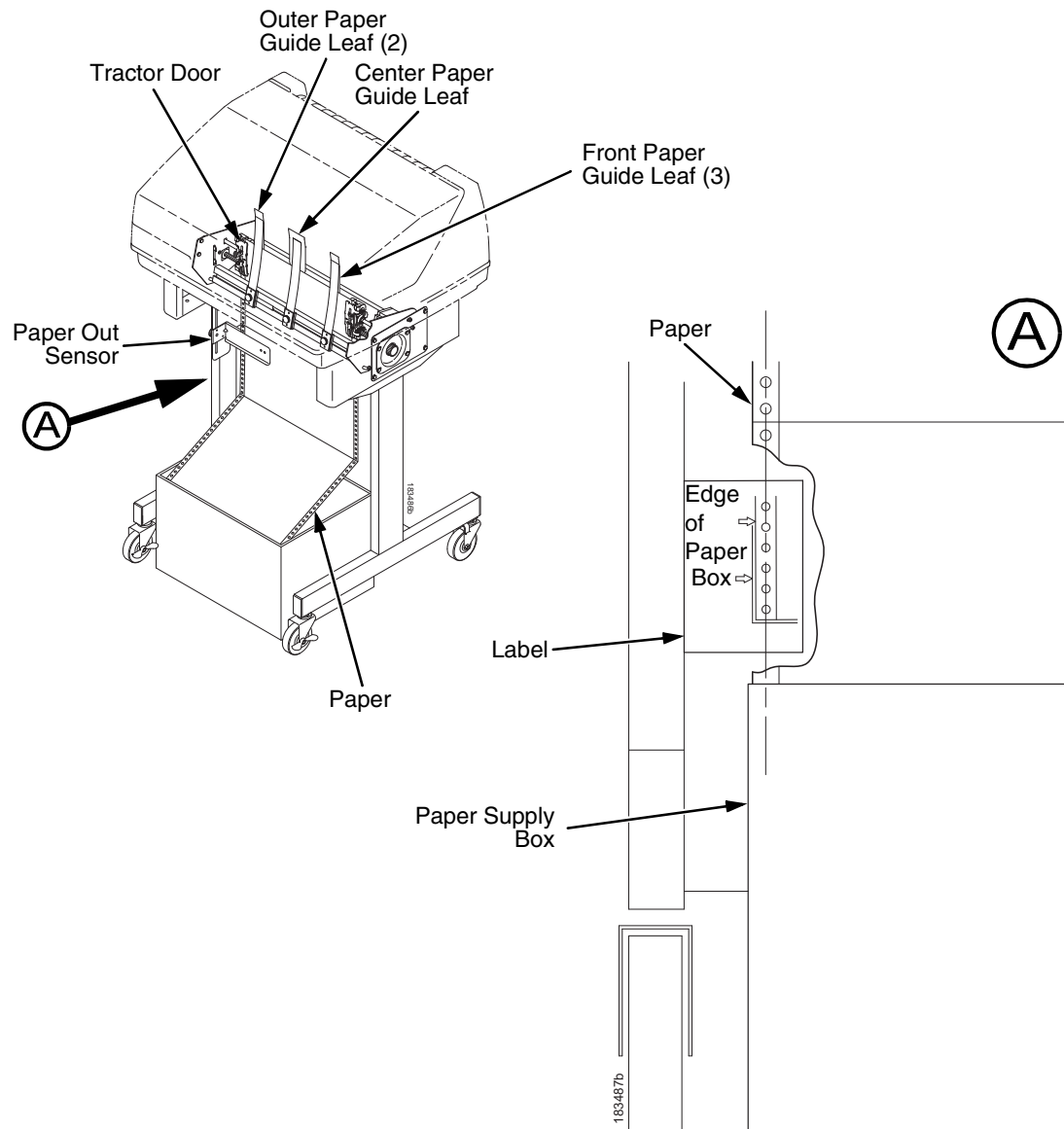


Figure 30. Loading Paper Onto The Printer

1. Align the paper supply box with the label on the bottom left side of the modesty panel. (See Figure 30 on page 180.)
2. Unlock and open the tractor doors and slide the paper from below, through the black paper out sensor slot on the left side, and up between all front and rear paper guides.
3. Load the paper on the left tractor sprockets and close the tractor door.
4. Load the paper onto the right tractor sprockets and close the tractor door.

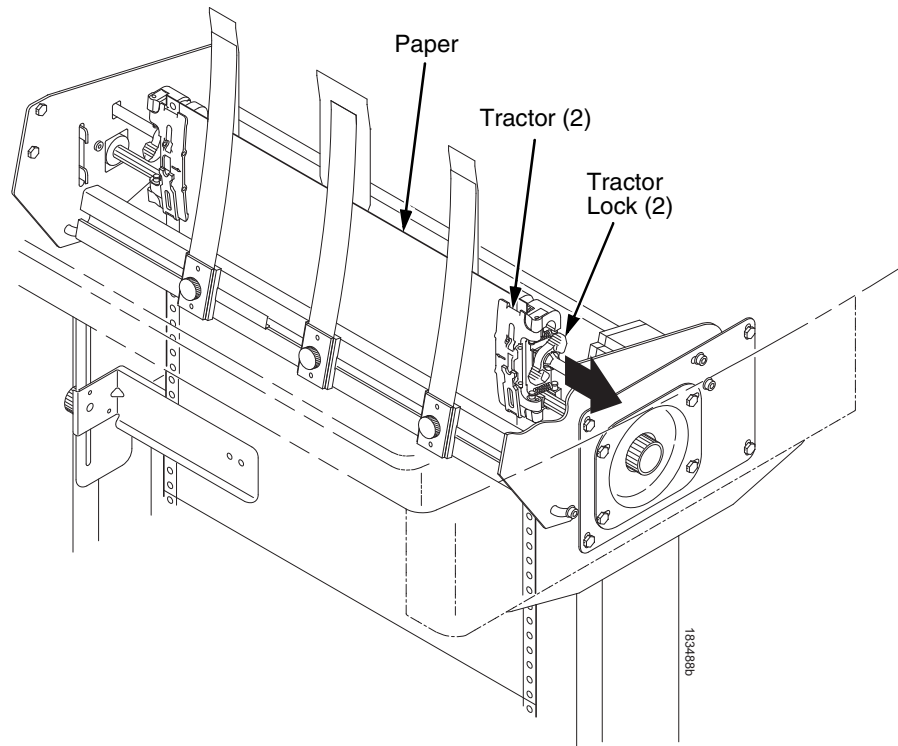


Figure 31. Adjusting the Horizontal Paper Tension

5. Adjust the paper web tightness by sliding the right tractor to remove slack or to adjust for various paper widths. (See Figure 31.)
6. Lock the tractors in position by pressing down on the tractor locks.

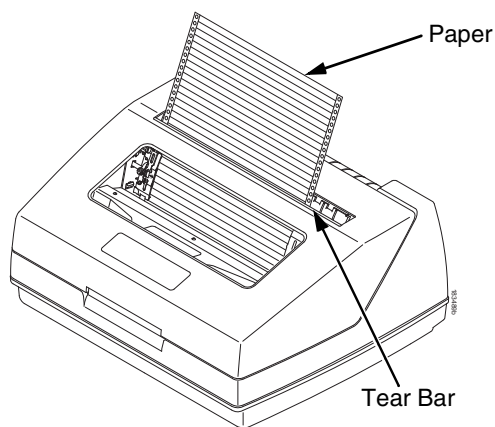


Figure 32. Paper Exiting the Top of the Printer

Position The Paper Out Sensor

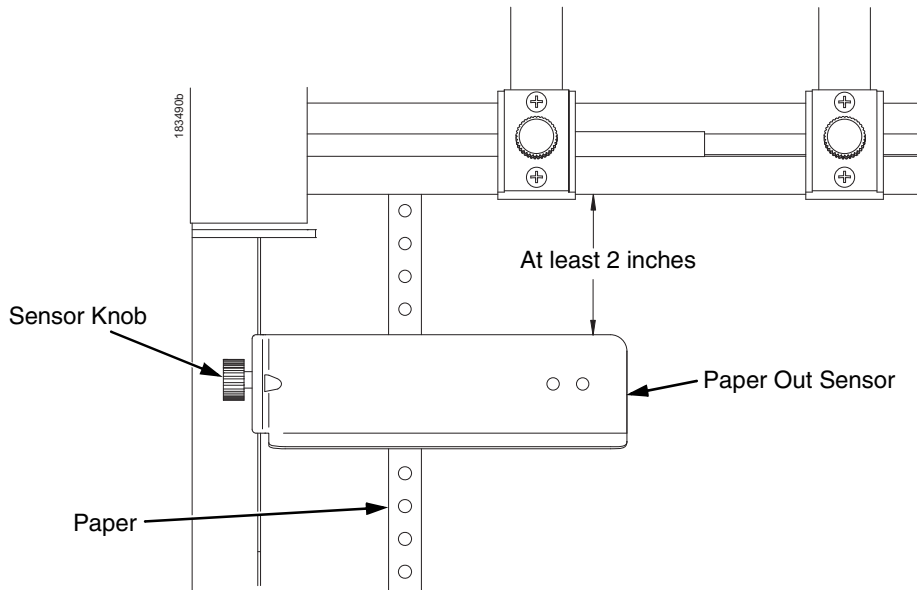


Figure 33. The Paper Out Sensor

The paper out sensor indicates when the printer runs out of paper. (The sensor does not work with black backed forms.) Unlike the standard pedestal printer, the ZT printer requires you to load the paper through the paper out sensor slot (Figure 30 and Figure 33). Correct positioning of the paper out sensor ensures that the last form the printer prints will be properly presented to the tear bar. To position the paper out sensor, do the following:

1. Position the paper properly at the tear bar (page 184).
2. Loosen the paper out sensor by turning the sensor knob counterclockwise.
3. Position the paper out sensor so that there are at least 2 inches between the bottom of the aluminum extrusion bar and the top of the paper out sensor.

IMPORTANT

For optimal performance, 2 inches is recommended for 11 inch forms. For shorter forms, position the paper out sensor so that there are at least 2 inches between a perforation and the top of the paper out sensor.

4. Tighten the paper out sensor by turning the sensor knobs clockwise.
5. Press **ONLINE/CLEAR**. When the first print job is sent to the printer, the paper is drawn into the printer, the top of form aligns with the print station, and the print job begins.

Set The Tear Bar Distance

To set the tear bar distance, do the following steps:

1. Make sure the printer is offline.
2. Press **ENTER** key to enter the menu.
3. Press the right arrow \triangleright until "OFFLINE/ZTP Menu" displays.
4. Press the down arrow ∇ . "ZTP Data Time" displays.
5. Press the right arrow \triangleright until "ZTP TearDistance" displays.
6. Press the down arrow ∇ . "ZTP TearDistance/xx/144 Inch" displays.
7. Press the left arrow \triangleleft or right arrow \triangleright to decrease or increase the tear bar distance in increments of 1/144th of an inch.
8. Press **ENTER** to select the desired value. An asterisk appears next the selected value and a scale prints to indicate the tear bar distance in relation to the tear bar. For correct tear bar distance, the zero should align with the tear bar. See Figure 34.

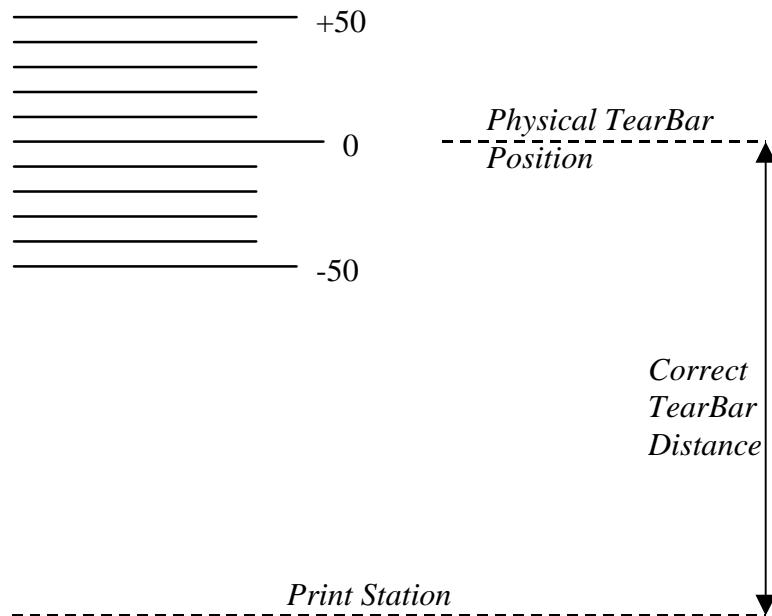


Figure 34. Correct Tear Bar Distance

NOTE: When a new ZTP Tear Bar Dist value is selected, the printer will lose the current print position until you reset the top of form to automatically save the new value.

9. Reset the top of form using the procedure on page 184.

Set The Top Of Form

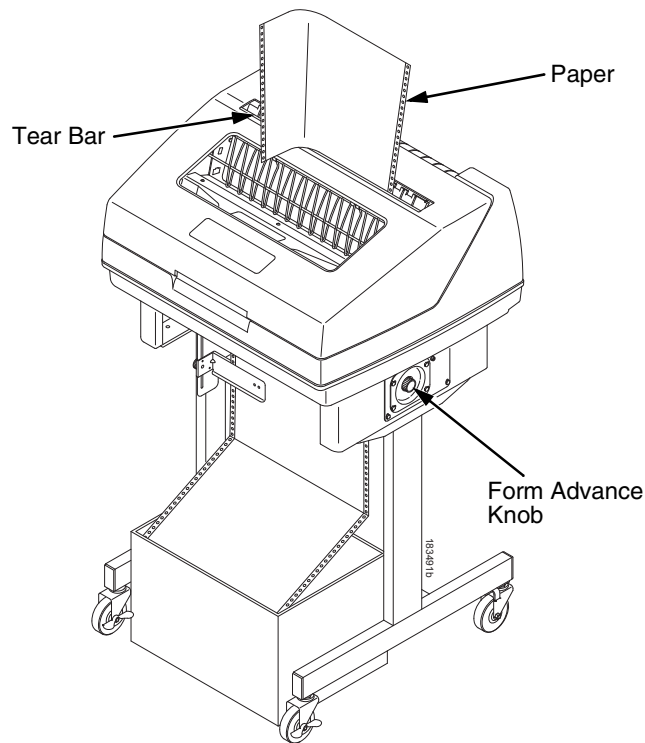


Figure 35. Setting The Tear Off Position

The ZT printer uses the tear bar as the reference point for setting the tear off position. To set the position of the forms perforation to the tear bar, use the **SET TOF** button as follows:

1. Make sure the paper guides are adjusted correctly and the paper is properly loaded.
2. Press the **SET TOF** button on the control panel. The printer display will read "Align at TearBar/Then Press TOF".
3. Use the form advance knob to move the top of the form to the tear off bar.
4. Position the perforation so it aligns with the tear off bar.

NOTE: This is easily done by advancing one complete sheet above the tear off bar and folding it over at the perforation.

5. Position the fold exactly at the tear bar.
6. Tear the sheet off to ensure proper positioning.

NOTE: If you do not want to lose a form, position the top of the form at the tear bar. Run a finger along the back of the form along the tear bar to ensure the perforation is presented at the tear off point.

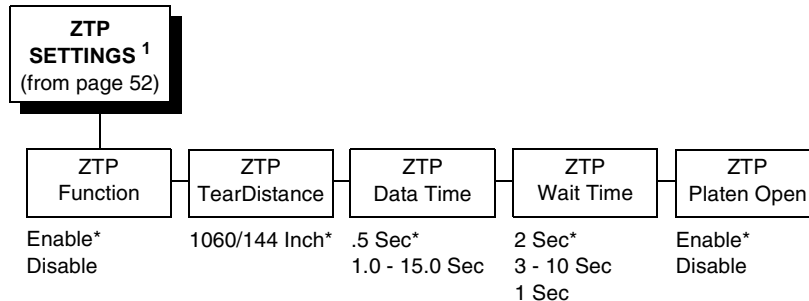
7. Press the **SET TOF** button again. The printer display will read "Top Of Form Set/Press ONLINE". The printer will then be brought OFFLINE and the top of form will be set.
8. Press the **ONLINE/CLEAR** key to bring the printer online.

ZTP SETTINGS Menu

The ZTP SETTINGS menu includes the ability to enable and disable features unique to the Zero Tear printer (ZTP), set the tear bar distance, set the auto present data time, and set the auto present wait time. This section defines these options.

* = Factory Default

¹ Available for Zero Tear Pedestal printers only.



ZTP Function

This option enables or disables all unique ZTP functions. The default is Enable.

NOTE: When the ZTP Function is enabled, the View/Eject key is disabled and Slow Paper Slew is enabled.

ZTP TearDistance

This option sets the tear off distance from the current print position to the tear bar. Adjustable values in increments of 1/144th of an inch range from 200 to 2880. The up and down arrows adjust the display value. When you press the **Enter** key, the selected value is stored and a scale is printed to indicate the current tear off position. The default value is 1060.

NOTE: When a new value is selected, the printer will lose the current print position. You must reset the top of form to automatically save the new value.

ZTP Data Time

This option sets the pause time in the data stream that the ZTP requires before moving the form to the tear bar once a print job is completed. The values range from .5 to 15 seconds. The default is .5 seconds.

ZTP Wait Time

This option sets the minimum amount of time that the form stays at the tear bar. This allows you time to remove the form before the form is retracted to print the next form. The adjustable values range from 1 to 10 seconds in increments of 1 second. The default value is 2 seconds.

ZTP Platen Open

This option allows the user to have the platen open whenever forms are reversed. Enabled is the default, used for most papers and labels. The feature can be disabled as required by some multi-part forms.

Performance Limitations

Forms Type

The paper feed tractors on the ZT printer push the paper up through the print station instead of pulling it through, as in the standard pedestal printer. This limits the variety of forms the ZT printer can use. If the forms do not fall within the range specified in Table 11, dot compression and line separation may occur. The user should match the media to the application to ensure acceptable print quality. Also, because paper is pushed from below the print station, the last form in the tractors may not print fully or may not be presented to the printer exit for retrieval.

All paper used in the ZT printer requires standard half inch spaced tractor feed holes. Cut sheet and continuous friction fed paper is not supported. The forms specified in Table 11 can have no more than one form per page horizontally.

Table 11. Forms Type

Description	Length	Width (edge to edge)
One to three part, continuous, with carbon, fan-folded, edge-perforated paper forms	3 to 12 inches	7 to 16.5 inches
One to four part, continuous, with carbon, fan-folded, edge-perforated paper forms	3 to 12 inches	7 to 12 inches
One to four part, continuous, carbonless, fan-folded, edge-perforated paper forms	3 to 12 inches	7 to 16.5 inches
One to six part, continuous, carbonless, fan-folded, edge-perforated paper forms	3 to 12 inches	7 to 12 inches
Forms with a paper weight of 20 to 100 pounds and a maximum thickness of 0.025 inches	3 to 12 inches	7 to 16.5 inches
Forms with a paper weight of 18 to 100 pounds and a maximum thickness of 0.025 inches	3 to 12 inches	7 to 12 inches
Forms with all approved types of interleaf edge attachment except those using metallic or other hard devices		

NOTE: If you use forms outside these limits, the print quality may not be optimum, the printer may lose top-of-form, or the frequency of paper jams will increase.

Paper Jams

Printer jams can occur if you tear off the form incorrectly. If you experience two or more paper jams per box of forms, follow these guidelines to help reduce jams:

- Position the lower paper guides properly
- Align the paper web tightness properly
- Position the form perforation against the tear bar
- Time the tear, while the paper is not moving
- Direct the tear force toward the user and across the tear bar, not upward.

To Clear Paper Jams

1. Raise the platen lever to open the platen.
2. Open the left and right tractor doors.
3. Pull the paper upward through the top of the printer.

NOTE: DO NOT pull the paper downwards from the bottom. This could cause the paper guides to bend.

4. Reload the paper (see page 180).

D

Customer Support

Printronix Customer Support Center

IMPORTANT Please have the following information available prior to calling the Printronix Customer Support Center:

- Model number
- Serial number (located on the back of the printer)
- Installed options (i.e., interface and host type if applicable to the problem)
- Configuration printout:
Line Matrix Printer
Press PRT CONFIG on the control panel, then press Enter.
- Is the problem with a new install or an existing printer?
- Description of the problem (be specific)
- Good and bad samples that clearly show the problem (faxing or emailing of these samples may be required)

Americas (714) 368-2686

Europe, Middle East, and Africa (31) 24 6489 311

Asia Pacific (65) 6548 4114

China (86) 800-999-6836

<http://www.primtronix.com/support.aspx>

Printronix Supplies Department

Contact the Printronix Supplies Department for genuine Printronix supplies.

Americas (800) 733-1900

Europe, Middle East, and Africa 33 (0) 1 46 25 19 07

Asia Pacific (65) 6548 4116
or (65) 6548 4182

China (86) 400-886-5598

India (800) 102-7869

<http://www.primtronix.com/supplies-parts.aspx>

Corporate Offices

Printronix, Inc.
15345 Barranca Parkway
Irvine, CA 92618
U.S.A.
Phone: (714) 368-2300
Fax: (714) 368-2600

Printronix Inc.
c/o Printronix Nederland BV
Bijsterhuizen 11-38
6546 AS Nijmegen
The Netherlands
Phone: (31) 24 6489489
Fax: (31) 24 6489499

Printronix Schweiz GmbH
42 Changi South Street 1
Changi South Industrial Estate
Singapore 486763
Phone: (65) 6542 0110
Fax: (65) 6546 1588

Printronix Commercial (Shanghai) Co. Ltd
22F, Eton Building East
No.555, Pudong Av.
Shanghai City, 200120, P R China
Phone: (86) 400 886 5598
Fax: (86-21) 5138 0564

Visit the Printronix web site at www.primtronix.com

E

Communication Notices

Notices

This information was developed for products and services offered in the U.S.A.

Printronix may not offer the products, services, or features discussed in this document in other countries. Consult your Printronix representative for information on the products and services currently available in your area. Any reference to an Printronix product, program, or service is not intended to state or imply that only that Printronix product, program, or service may be used. Any functionally equivalent product, program, or service that does not infringe any Printronix intellectual property rights may be used instead. However, it is the user's responsibility to evaluate and verify the operation of any non-Printronix product, program, or service.

Printronix may have patents or pending patent applications covering subject matter described in this document. The furnishing of this document does not give you any license to these patents. You can send license inquires, in writing, to:

Printronix, Inc.
15345 Barranca Parkway
Irvine, CA 92618
U.S.A.

The following paragraph does not apply to the United Kingdom or any other country where such provisions are inconsistent with local law:

PRINTRONIX PROVIDES THIS PUBLICATION "AS IS" WITHOUT WARRANTY OF ANY KIND, EITHER EXPRESS OR IMPLIED, INCLUDING, BUT NOT LIMITED TO, THE IMPLIED WARRANTIES OF NON-INFRINGEMENT, MERCHANTABILITY OR FITNESS FOR A PARTICULAR PURPOSE. Some states do not allow disclaimer of express or implied warranties in certain transactions, therefore, this statement may not apply to you.

This information could include technical inaccuracies or typographical errors. Changes are periodically made to the information herein; these changes will be incorporated in new editions of the publication. Printronix may make improvements and/or changes in the product(s) described in this publication at any time without notice.

Any references in this information to non-Printronix Web sites are provided for convenience only and do not in any manner serve as an endorsement of those Web sites. The materials at those Web sites are not part of the materials for this Printronix product and use of those Web sites is at your own risk.

Any performance data contained herein was determined in a controlled environment. Therefore, the results obtained in other operating environments may vary significantly. Some measurements may have been made on development-level systems and there is no guarantee that these measurements will be the same on generally available systems. Furthermore, some measurement may have been estimated through extrapolation. Actual results may vary. Users of this document should verify the applicable data for their specific environment.

Information concerning non-Printronix products was obtained from the suppliers of those products, their published announcements or other publicly available sources. Printronix has not tested those products and cannot confirm the accuracy of performance, compatibility or any other claims related to non-Printronix products. Questions on the capabilities of non-Printronix products should be addressed to the suppliers of those products.

Printronix encourages owners of information technology (IT) equipment to responsibly recycle their equipment when it is no longer needed. Printronix offers a variety of programs and services to assist equipment owners in recycling their IT products. Information on these product recycling offerings can be found on Printronix's Internet site at <http://www.primtronix.com>.

Note!

Before using this information and the product it supports, read the information and Communication Statements on page 193.

If you are viewing this information softcopy, the photographs and color illustrations may not appear.

For online versions of this book, we authorize you to:

- Copy, modify, and print the documentation contained on the media, for use within your enterprise, provided you reproduce the copyright notice, all warning statements, and other required statements on each copy or partial copy.
- Transfer the original unaltered copy of the documentation when you transfer the related Printronix product (which may be either machines you own, or programs, if the program's license terms permit a transfer). You must, at the same time, destroy all other copies of the documentation.

You are responsible for payment of any taxes, including personal property taxes, resulting from this authorization.

Your failure to comply with the terms above terminates this authorization. Upon termination, you must destroy your machine readable documentation.

Energy Star



The Environmental Protection Agency ENERGY STAR® Computers program is a partnership effort with manufacturers of data processing equipment to promote the introduction of energy-efficient personal computers, monitors, printers, fax machines, and copiers to help reduce air pollution and global warming caused by electricity generation.

Printronix participates in this program by introducing printers that reduce power consumption when they are not being used. As an ENERGY STAR® Partner, Printronix has determined that this product meets the ENERGY STAR® guidelines for energy efficiency.

NOTE: The ENERGY STAR® emblem does not represent EPA endorsement of any product or service.

Communication Statements

Federal Communications Commission (FCC) Statement

This equipment has been tested and found to comply with the limits for a Class A digital device, pursuant to Part 15 of the FCC Rules. These limits are designed to provide reasonable protection against harmful interference when the equipment is operated in a commercial environment. This equipment generates, uses, and can radiate radio frequency energy and, if not installed and used in accordance with the instructions, may cause harmful interference to radio communications. Operation of this equipment in a residential area is likely to cause harmful interference in which case the user will be required to correct the interference at his own expense.

Properly shielded and grounded cables and connectors must be used in order to meet FCC emission limits. Printronix is not responsible for any radio or television interference caused by using other than recommended cables and connectors or by unauthorized changes or modifications to this equipment. Unauthorized changes or modifications could void the user's authority to operate the equipment.

This device complies with Part 15 of the FCC Rules. Operation is subject to the following two conditions: (1) this device may not cause harmful interference, and (2) this device must accept any interference received, including interference that may cause undesired operation.

European Union (EU) Conformity Statement



Hereby, Printronix declares that this product is in compliance with the essential requirements and other relevant provisions of Directive 1999/5/EC.

Printronix cannot accept responsibility for any failure to satisfy the protection requirements resulting from a non-recommended modification of the product, including the fitting of non-Printronix option cards.

This product has been tested and found to comply with the limits for Class A Information Technology Equipment according to European standard EN 55022. The limits for Class A equipment were derived for commercial and industrial environments to provide reasonable protection against interference with licensed communication devices.

WARNING

This is a Class A product. In a domestic environment this product may cause radio interference in which case the user may be required to take adequate measures.

Properly shielded and grounded cables and connectors must be used in order to reduce the potential for causing interference to radio and TV communications and to other electrical or electronic equipment. Printronix cannot accept responsibility for any interference caused by using other than recommended cables and connectors.

Industry Canada Compliance Statement

This Class A digital apparatus complies with Canadian ICES-003.

Cet appareil numérique de la classe A conform à la norme NMB-003 du Canada.

Statement of CISPR 22 Compliance

Attention: This is a Class A Product. In a domestic environment this product may cause radio interference in which case the user may be required to take adequate measures.

Japanese VCCI Class A

この装置は、情報処理装置等電波障害自主規制協議会（VCCI）の基準に基づくクラスA情報技術装置です。この装置を家庭環境で使用すると電波妨害を引き起こすことがあります。この場合には使用者が適切な対策を講ずるよう要求されることがあります。

German Conformity Statement

Handbuchtex te: FCC class A entspricht: EMVG Klasse A

Text Für alle in Deutschland vertriebenen EN 55022 Klasse A Geräte:

Zulassungsbescheinigung laut dem Deutschen Gesetz über die elektromagnetische Verträglichkeit von Geräten (EMVG) vom 18. September 1998 (bzw. der EMC EG Richtlinie 89/336):

Dieses Gerät ist berechtigt in Übereinstimmung mit dem Deutschen EMVG das EG-Konformitätszeichen - CE - zu führen. Verantwortlich für die Konformitätserklärung nach Paragraph 5 des EMVG ist die:

Printronix GmbH
Goethering 56
D-63067 Offenbach Germany

Informationen in Hinsicht EMVG Paragraph 4 Abs. (1) 4:

Das Gerät erfüllt die Schutzanforderungen nach EN 55024 und EN 55022 Klasse A.

EN 55022 Klasse A Geräte müssen mit folgendem Warnhinweis versehen werden: "Warnung: dies ist eine Einrichtung der Klasse A. Diese Einrichtung kann im Wohnbereich Funkstörungen verursachen; in diesem Fall kann vom Betreiber verlangt werden, angemessene Maßnahmen durchzuführen und dafür aufzukommen."

EN 55024 Hinweis:

Wird dieses Gerät in einer industriellen Umgebung betrieben (wie in EN 55024 festgelegt), dann kann es dabei eventuell gestört werden. In solch einem Fall ist der Abstand bzw. die Abschirmung zu der industriellen Störquelle zu übergrößen.

Anmerkung:

Um die Einhaltung des EMVG sicherzustellen sind die Geräte, wie in den Printronix Handbüchern angegeben, zu installieren und zu betreiben.

China

Declaration:

This is a Class A product. In a domestic environment this product may cause radio interference in which case the user may need to perform practical actions.

此为A级产品。在生活环境中，该产品可能会造成无线电干扰。在这种情况下，可能需要用户对其干扰采取切实可行的措施。

Altitude and Non-Tropical Climate Statement



仅适用于海拔 2000m 一下地区安全使用



仅适用于非热带气候条件下安全使用

Taiwan

Warning:

This is a Class A product. In a domestic environment this product may cause radio interference in which case the user will be required to take adequate measures.

警告使用者：

這是甲類的資訊產品，在居住的環境中使用時，可能會造成射頻干擾，在這種情況下，使用者會被要求採取某些適當的對策。

CAUTION:

This product is equipped with a 3-wire power cord and plug for the user's safety. Use this power cord in conjunction with a properly grounded electrical outlet to avoid electrical shock.

Software License Agreement

Your printer contains, among other software, Printronix operating software including, but not limited to the Embedded Configurable Operating System (the “eCos Software”) as embedded software. The terms of this Agreement apply only to the eCos Software, and all other embedded software supplied with the printer. You accept the terms of this Agreement by your initial use of your printer.

1. Object Code License

Printronix grants you a nonexclusive license to use the Printronix Software, the eCos Software and all other embedded software (collectively, the “Embedded Software” or the “Software”) only in conjunction with the printer. As the rightful possessor of the printer, you may make a reasonable number of copies of the Software as necessary for backup, configuration, and restoration of the printer. You must reproduce the copyright notice and any other legend of ownership on each copy of the Software you make.

You may transfer possession of the Software and its media to another party only with the transfer of the printer on which the Software is used. If you do so, you must give the other party a copy of these terms and provide all user documentation to that party. When you do so, you must destroy any copies of Software not resident in the printer.

Your license for the Software terminates when you no longer rightfully possess the printer. No other rights under this license are granted.

2. Source Code

A source code version of eCos Software is available under the terms of the Red Hat eCos Public License v1.1 at www.primtronix.com. Printronix grants no rights whatsoever in the source code for the Printronix Software.

3. No Warranty

THE EMBEDDED SOFTWARE IS PROVIDED UNDER THIS LICENSE ON AN "AS IS" BASIS, WITHOUT WARRANTY OF ANY KIND, EITHER EXPRESSED OR IMPLIED, INCLUDING, WITHOUT LIMITATION, WARRANTIES THAT THE EMBEDDED SOFTWARE IS FREE OF DEFECTS, MERCHANTABILITY, FIT FOR A PARTICULAR PURPOSE OR NON-INFRINGEMENT. THE ENTIRE RISK AS TO THE QUALITY AND PERFORMANCE OF THE EMBEDDED SOFTWARE IS WITH YOU. SHOULD ANY OF THE EMBEDDED SOFTWARE PROVE DEFECTIVE IN ANY RESPECT, YOU (NOT RED HAT, PRINTRONIX, ANY OTHER CONTRIBUTOR OR ANY DISTRIBUTOR) ASSUME THE COST OF ANY NECESSARY SERVICING, REPAIR OR CORRECTION. THIS DISCLAIMER OF WARRANTY CONSTITUTES AN ESSENTIAL PART OF THIS LICENSE. NO USE OF ANY OF THE EMBEDDED SOFTWARE IS AUTHORIZED HEREUNDER EXCEPT UNDER THIS DISCLAIMER.

4. Conflicting Terms

You agree that this Agreement provides you no more rights with regards to warranty, support, indemnity or liability terms with respect to Red Hat, Inc., Printronix, Inc. or any contributor to the Embedded Software than that provided by the Red Hat eCos Public License v.1.1 or any express warranty that may be made by Printronix, Inc.

5. Limitation of Liability

UNDER NO CIRCUMSTANCES AND UNDER NO LEGAL THEORY, WHETHER TORT (INCLUDING NEGLIGENCE), CONTRACT, OR OTHERWISE, SHALL RED HAT, PRINTRONIX, ANY OTHER CONTRIBUTOR, OR ANY DISTRIBUTOR OF THE EMBEDDED SOFTWARE, OR ANY PART THEREOF, OR ANY SUPPLIER OF ANY OF SUCH PARTIES, BE LIABLE TO YOU OR ANY OTHER PERSON FOR ANY INDIRECT, SPECIAL, INCIDENTAL, OR CONSEQUENTIAL DAMAGES OF ANY CHARACTER INCLUDING, WITHOUT LIMITATION, DAMAGES FOR LOSS OF GOODWILL, WORK STOPPAGE, COMPUTER FAILURE OR MALFUNCTION, OR ANY AND ALL OTHER COMMERCIAL DAMAGES OR LOSSES, EVEN IF SUCH PARTY SHALL HAVE BEEN INFORMED OF THE POSSIBILITY OF SUCH DAMAGES. THIS LIMITATION OF LIABILITY SHALL NOT APPLY TO LIABILITY FOR DEATH OR PERSONAL INJURY RESULTING FROM SUCH PARTY'S NEGLIGENCE TO THE EXTENT APPLICABLE LAW PROHIBITS SUCH LIMITATION. SOME JURISDICTIONS DO NOT ALLOW THE EXCLUSION OR LIMITATION OF INCIDENTAL OR CONSEQUENTIAL DAMAGES, SO THAT EXCLUSION AND LIMITATION MAY NOT APPLY TO YOU.

6. U.S. Government Users

The Embedded Software is a "commercial item," as that term is defined in 48 C.F.R. 2.101 (Oct. 1995), consisting of "commercial computer software" and "commercial computer software documentation," as such terms are used in 48 C.F.R. 12.212 (Sept. 1995). Consistent with 48 C.F.R. 12.212 and 48 C.F.R. 227.7202-1 through 227.7202-4 (June 1995), all U.S. Government End Users acquire Covered Code with only those rights set forth herein.

7. Miscellaneous

This Agreement represents the complete agreement concerning subject matter hereof. If any provision of this Agreement is held to be unenforceable, such provision shall be reformed only to the extent necessary to make it enforceable. This Agreement shall be governed by California law provisions (except to the extent applicable law, if any, provides otherwise), excluding its conflict-of-law provisions.

8. Red Hat Statement with regards to eCos Software

Part of the software embedded in this product is eCos - Embedded Configurable Operating System, a trademark of Red Hat. Portions created by Red Hat are Copyright (C) 1998, 1999, 2000 Red Hat, Inc. (<http://www.redhat.com>) All Rights Reserved.

THE SOFTWARE IN THIS PRODUCT WAS IN PART PROVIDED BY RED HAT AND ANY EXPRESS OR IMPLIED WARRANTIES, INCLUDING, BUT NOT LIMITED TO, THE IMPLIED WARRANTIES OF MERCHANTABILITY AND FITNESS FOR A PARTICULAR PURPOSE ARE DISCLAIMED. IN NO EVENT SHALL THE AUTHOR BE LIABLE FOR ANY DIRECT, INDIRECT, INCIDENTAL, SPECIAL, EXEMPLARY, OR CONSEQUENTIAL DAMAGES (INCLUDING, BUT NOT LIMITED TO, PROCUREMENT OF SUBSTITUTE GOODS OR SERVICES; LOSS OF USE, DATA, OR PROFITS; OR BUSINESS INTERRUPTION) HOWEVER CAUSED AND ON ANY THEORY OF LIABILITY, WHETHER IN CONTRACT, STRICT LIABILITY, OR TORT (INCLUDING NEGLIGENCE OR OTHERWISE) ARISING IN ANY WAY OUT OF THE USE OF THIS SOFTWARE, EVEN IF ADVISED OF THE POSSIBILITY OF SUCH DAMAGE.

Index

Numerics

- 000 SHUTTLE TYPE NOT SUPPORTED* message, 134
- 06 HOST REQUEST message, 134
- 08 HOLD PRINT TIMEOUT message, 134
- 104 POWER SUPPLY HOT* message, 135
- 105 PRINTER HOT* message, 135
- 15 COMM CHECK message, 134
- 15V PWR FAIL * message, 134
- 22 INVALID ADDR message, 134
- 31 PAPER OUT TIMEOUT message, 134
- 32 PAPER JAM TIMEOUT message, 134
- 33 PLATEN OPEN TIMOUT message, 135
- 34 RIBBON STALL TIMOUT message, 135
- 401 BUFFER OVERRUN message, 135
- 402 CLEAR PAPER JAM message, 135
- 403 CLOSE PLATEN message, 135
- 409 FRAMING ERROR message, 135
- 410 LOAD PAPER message, 135
- 411 PARITY ERROR message, 136
- 414 RIBBON STALL message, 136
- 415 SHUTTLE JAM message, 136
- 416 STACKER FULL message, 136
- 417 STACKER JAM message, 136
- 418 RBN INK LOW message, 136
- 419 RBN INK OUT* message, 136
- 420 EXC RBN WEAR message, 136
- 421 BC MISSING message, 137
- 422 BC DAMAGED message, 137
- 423 OLD RIBBON message, 137
- 424 UNKNOWN RBN1 message, 137
- 425 UNKNOWN RBN2 message, 137
- 427 CRTG MISSING message, 137
- 428 CRTG COMM ER message, 137
- 432 CRT NOT SET message, 138
- 435 NO WELD message, 138
- 437 REG MISSING message, 138
- 438 TIP MISMATCH message, 138
- 439 SHTL MISMATCH message, 138
- 440 RWP DOWNLOAD message, 138
- 48V PWR FAIL * message, 135
- 602 23.5V PWR FAIL * message, 138
- 604 48V CIRCUIT* message, 138
- 606 Power 8.5V CHECK message, 138
- 607 CTL VOLT FAIL * message, 139
- 608 DRIVER CIRCUIT BAD message, 139
- 609 EXHAUST FAN CHECK message, 139
- 613 HAM. COIL BAD Message, 139
- 614 HAMMER BANK NOT INSTALLED message, 139
- 615 HAMMER BANK CHECK Message, 139
- 617 LOWER DRIVER SHORT* message, 139
- 619 PAPER FEED DRIVER CIRCUIT* message, 139
- 620 POWER VOLT CHECK* message, 140
- 622 SHUTTLE DRIVER CRCUIT* message, 140
- 623 STACK FAULT message, 140
- 624 UPPER DRIVER SHORT* message, 140
- 625 WRONG E-NET message, 140
- 700 A TO D OVERUN * message, 140
- 701 ACCESS NULL POINTER* message, 140
- 702 FIRMWARE ERROR message, 140
- 703 ILLEGAL EXTERNAL BUS ACC * message, 140
- 704 ILLEGAL INSTRUCTION ACC* message, 140
- 705 ILLEGAL OPERAND ACCESS * message, 140
- 706 PAP BAD TABLE* message, 140
- 707 PAPER BUSY TOO LONG* message, 141

708 PAPER FIFO OVERFLOW* message, 141
 709 PAPER FIFO UNDERFLOW* message, 141
 710 PAP ILLGL ST* message, 141
 711 PAP INCMPL ENER* message, 141
 712 PAP INVLD CMD* message, 141
 713 PAP INVLD PARM* message, 141
 714 PAP NOT SCHED* message, 141
 715 PAP NT AT SPEED* message, 141
 716 PAP UNEXP INT* message, 141
 717 PLAT INV CMD* message, 141
 718 PLAT INV PARM* message, 141
 719 PLAT INV STATE* message, 141
 720 PROTECTED INSTRUCTION* message, 142
 721 RIB INVLD CMD* message, 142
 723 SHUTL INV CMD* message, 142
 724 SHUTL INV PARM* message, 142
 725 SHUTL OVER SPEED* message, 142
 727 SOFTWARE ERROR* message, 142
 728 STACK OVERFLOW* message, 142
 729 STACK UNDERFLOW* message, 142
 730 TCB CORRUPTED* message, 142
 731 UNDEFINED INTERRUPT* message, 142
 732 UNDEFINED OPCODE message, 142
 733 DP FIFO Busy* message, 143

A

Accented Char, PRINTER CONTROL, 103
 Acknowledge, Centronics Parallel Interface Signals, 117
 Acoustic noise level, 171
 ACTIVATE LOST message, 143
 Adapter Address, 55
 ADAPTER ADDRESS menu, 77
 DHCP, 78
 Gateway address, 78
 IP address, 77
 MAC address, 78
 Subnet mask, 77
 ADAPTER PARAMS menu
 ASCII data port, 79
 Ethernet speed, 80
 IPDS Data Port, 79
 Job Control, 80

Keep alive timer, 80
 Nest Serv Type, 79
 NetBIOS protocol, 79
 Novell frame, 79
 Novell protocol, 79
 ADVANCED USER menu, 104
 Alarm, 107
 Auto Elevator, 106
 Auto Locking, 106
 Cancel Key, 108
 Downloaded Fonts, 105
 File System, 106
 Hex Dump Mode, 105
 Job Sel/Typeface On, 109
 PMD (Paper Motion Detection) Fault, 106
 Power Saver Time, 107
 Power Stacker, 106
 Power-Up State, 105
 Print Hist. Log, 109
 PTX Setup Option, 105
 Pwr Save Control, 108
 RBN Low Action, 109
 RBN Low Warn @, 109
 Ret. Status Port, 108
 Set Lock Key, 108
 Set Sharing, 107
 Shuttle Timeout, 107
 Slow Paper Slew, 107
 Alarm, ADVANCED USER menu, 107
 Ant. Diversity, WLAN PARAMS menu, 87
 Antenna, WLAN PARAMS menu, 87
 ASCII Character Set, 175
 ASCII data port, Adapter Params menu, 79
 ASCII data port, Ethernet Parameters menu, 82
 Auth Method, WLAN LEAP menu, 91
 Auth Method, WLAN PARAMS menu, 88
 Auto Elevator, ADVANCED USER menu, 106
 Auto Locking, ADVANCED USER menu, 106
 Auto Save, 60
 Auto Save Configuration, 46

- Auto Switching submenu, 61
 - Auto Switching submenu, 61
 - Port Type, 62
 - Report Status, 62
 - Switch Out On, 62
 - Timeout, 62
 - Trickle Time, 62
- Auto Trickle
 - Centronics (Parallel) submenu, 64
 - Dataproducts (Standard & Long Lines) submenu, 67
 - IEEE 1284 Parallel (Bidirectional) Submenu, 74

B

- B00 STATUS SDRAM DETECTION 166MHZ message, 143
- B01 STATUS 8245 SDRAM TEST 32MB message, 143
- B10 ERROR NO DRAM DETECTED* message, 143
- B11 ERROR RAM TEST FAILED* message, 143
- B12 ERROR PROGRAM MISSING* message, 143
- B13 ERROR NOT COMPATIBLE* message, 143
- B19 ERROR DC RETURNED* message, 143
- B20 STATUS 00% DOWNLOAD MODE message, 144
- B21 STATUS PRINTER RESET message, 144
- B22 ERROR DECOMPRESS SIZE* message, 144
- B23 ERROR DECOMPRESS CKSUM* message, 144
- B30 STATUS INITIALIZING, 144
- B35 WAITING FOR EC STATUS, 144
- B40 ERROR PROM CKSUM BAD* message, 144
- B41 ERROR DIM MEMORY NOT SDRAM* message, 144
- B42 ERROR SDRAM ROWS NOT ALLOWED* message, 144
- B43 ERROR SDRAM TOO MANY BANKS* message, 145
- B44 ERROR SDRAM NOT 64 BITS WIDE* message, 145
- B45 ERROR SDRAM IS WRONG VOLTAGE* message, 145

- B46 ERROR SDRAM HAS MIXED SIZES* message, 145
- B47 ERROR SDRAM LARGER THAN 256M* message, 145
- B49 ERROR SDRAM # LOGICAL BANKS* message, 145
- B50 ERROR SDRAM LOGIC COMB BANKS* message, 145
- B51 XX% LOADING, 145
- B53 ERROR 12C NO ARBITRATION, 145
- B54 ERROR SDA LINE STUCK LOW, 145
- Bar Code Verification, 132
- Baud Rate, Serial submenu, 71
- Buffer Clear, Dataproducts Parallel Interface Signals, 125
- Buffer Size in K
 - Centronics (Parallel) submenu, 64
 - Dataproducts (Standard & Long Lines) submenu, 66
 - Ethernet submenu, 76
 - IEEE 1284 Parallel (Bidirectional) Submenu, 74
 - Serial submenu, 72
- Busy On Strobe, Centronics (Parallel) submenu, 64
- Busy, Centronics Parallel Interface Signals, 117
- Byte Mode, IEEE 1284 Parallel Interface, 118

C

- Cable Verify, Dataproducts Parallel Interface Signals, 125
- Cancel a print job, 23
- CANCEL key, 21
- Cancel Key, ADVANCED USER menu, 108
- Cartridge Ribbon System (CRS), 36
- Centronics (Parallel) submenu, 63
 - Auto Trickle, 64
 - Buffer Size in K, 64
 - Busy On Strobe, 64
 - Data Bit 8, 63
 - Data Polarity, 63
 - Latch Data On, 64
 - PI Ignored, 63
 - Prime Signal, 64
 - Resp. Polarity, 64

- TOF Action, 64
- Trickle Time, 65
- Centronics Parallel Interface, 116
- Centronics Parallel Interface Signals, 117
 - Acknowledge, 117
 - Busy, 117
 - Data Lines 1 through 8, 117
 - Data Strobe, 117
 - Fault, 117
 - Online, 117
 - Paper Empty (PE), 117
 - Paper Instruction (PI), 117
 - Prime, 117
- Changing parameter settings, 41
- Changing parameters, example, 43
- Changing Ribbon Cartridge, 38
- Channel, WLAN PARAMS menu, 86
- Character Set, ASCII, 175
- Characteristics, environmental, 170
- Cleaning
 - exterior, 129
 - interior, 130
- Cleaning requirements, 129
- CLEAR key, 20
- Clear to Send (CTS), RS-232, 123
- CLEARING PROGRAM FROM FLASH message, 146
- Clock Skew, WLAN Kerberos menu, 90
- Compatibility Mode, IEEE 1284 Parallel Interface, 117
- Compliance, Energy Star, 171
- Component locations
 - printer, 17
- CONFIG. CONTROL menu, 58
 - Auto Save, 60
 - Delete Config., 59
 - Load Config., 58
 - Name Configs, 59
 - Power-Up Config., 59
 - Print Config., 59
 - Protect Configs., 59

- Reset Cfg Names, 60
- Save Config., 59
- Configuration, Auto Save, 46
- Configurations
 - custom, 42
 - default, 42
 - overview, 41
 - saving, 46
- Control panel, 20
- Control panel keys
 - CANCEL, 21
 - CLEAR, 20
 - ENTER, 22
 - JOB SELECT/PRINT MODE, 22
 - ON LINE, 20
 - PAPER ADVANCE, 21
 - PREV + NEXT, 23
 - PREV or NEXT, 23
 - PRT CONFIG, 22
 - SET TOF, 22
 - UP + DOWN, 23
 - UP or DOWN, 22
 - VIEW/EJECT key, 21
- Conventions, manual, 11
- CPI/LPI Select
 - Hangul LP+ Emulation, 96
 - Hanzi LP+ Emulation, 96
- Custom configurations, 42
- Customer Support Center, 189

D

- D50 STATUS%XX Clearing Flash message, 146
- D50 STATUS%XX Programming, 146
- D55 STATUS Send Program to EC, 146
- Darker print, Integrated Print Management System, 37
- Data Bit 8
 - Centronics (Parallel) submenu, 63
 - Dataproducts (Standard & Long Lines) submenu, 65
- Data Carrier Detect (DCD), RS-232, 123

- Data Lines 1 through 8
 - Centronics Parallel Interface Signals, 117
 - Dataproducts Parallel Interface Signals, 125
- Data Polarity
 - Centronics (Parallel) submenu, 63
 - Dataproducts (Standard & Long Lines) submenu, 66
- Data Protocol, Serial submenu, 69
- Data Set Ready (DSR), RS-232, 123
- Data Strobe
 - Centronics Parallel Interface Signals, 117
 - Dataproducts Parallel Interface Signals, 125
- Data Term Ready, Serial submenu, 71
- Data Terminal Ready (DTR), RS-232, 123
- Dataproducts (Standard & Long Lines) submenu
 - Auto Trickle, 67
 - Buffer Size in K, 66
 - Data Polarity, 66
 - Latch Data On, 66
 - PI Ignored, 66
 - Prime Signal, 66
 - Resp. Polarity, 66
 - TOF Action, 66
 - Trickle Time, 67
- Dataproducts (Standard & Long Lines) submenu,
- Data Bit 8, 65
- Dataproducts Parallel Interface, 124
- Dataproducts Parallel Interface Signals, 125
 - Buffer Clear, 125
 - Cable Verify, 125
 - Data Lines 1 through 8, 125
 - Data Strobe, 125
 - Demand/Data Request, 125
 - Online, 125
 - Paper Instruction (PI), 125
 - Parity Error, 125
 - Ready, 125
- Dataproducts submenu, 65
- DATE menu
 - Day, 113
 - Hour, 113
 - Minute, 113
 - Month, 113
 - Year, 113
- Day, DATE menu, 113
- DBCS ASCII Style, 57
- DBCS CPI, 56
- DBCS/ASCII Mode, 57
- Default configurations, 42
- Default WEP Key, WLAN PARAMS menu, 88
- Delete Config., 59
- Demand/Data Request, Dataproducts Parallel Interface Signals, 125
- DHCP
 - Adapter Address menu, 78
 - Ethernet Address menu, 81
 - WLAN Address menu, 84
- DIAGNOSTIC PASSED message, 146
- DIAGNOSTICS menu, 110
 - Feature File, 112
 - Paper Out Dots, 112
 - Print Statistics, 112
 - Printer Tests, 111
 - Shuttle Type, 112
 - Software Build, 112
 - System Memory, 112
 - Test Width, 112
- Dimensions, printer, 14, 170
- Display Language, PRINTER CONTROL, 103
- DO NOT POWER OFF message, 146
- Documentation list, 12
- Downloaded Fonts, ADVANCED USER menu, 105

E

- E Net Test Unavailable, 161
- E00 EXE @ ADDR0 message, 146
- E01A TYPE 0x40 message, 147
- E01B TYPE 0x60 message, 147
- E02 MACHINE CHK message, 147
- E03A DSI HASH L message, 148
- E03B DSI HASH S message, 148

E03C DSI BAT PL message, 148
E03D DSI BAT message, 149
E03E DSI CXIWX message, 149
E03F DSI CXOWX message, 149
E03G DSI ECXIWX message, 150
E03H DSI ECXOWX message, 150
E04A ISI NO TRA message, 150
E04B ISI DIRECT message, 151
E04C ISI PROTEC message, 151
E06 NOT ALIGNED message, 151
E07 ILLEGAL INS message, 152
E08 FLOATINGPNT message, 152
E12 SYSTEM CALL message, 152
E13 TRACE INT message, 153
E16 ITRANS MISS message, 153
E17 DLOAD MISS message, 153
E18 DSTORE MISS message, 154
E19 BREAKPOINT message, 154
E20 SYS MANAGE message, 154
E30 DEBUGGER message, 155
E31A EVENT 0 BP message, 155
E31B EVENT 1 BP message, 155
E31C EVENT 2 BP message, 156
E31D EVENT 3 BP message, 156
E31E EVENT 4 BP message, 156
E31F EVENT 5 BP message, 157
E31G EVENT 6 BP message, 157
E31H EVENT 7 BP message, 157
E32A CND 0 BP message, 158
E32B CND 1 BP message, 158
E32C CND 2 BP message, 158
E32D CND 3 BP message, 159
E32E CND 4 BP message, 159
E32F CND 5 BP message, 159
E32G CND 6 BP message, 160
E32H CND 7 BP message, 160
E33 WRITE BP message, 160
E34 TRACE CMPLT message, 161
E99 UNKNOWN INT message, 161
Electrical characteristics, 171

EMULATION

Hangul LP+, 95
Hanzi Big5 LP+, 93
Hanzi GB LP+, 92
Kanji LP+, 94
EMULATION Menu, 92
Emulations, 12
Energy Star compliance, 171
E-Net Adapter Submenu, 75
ENTER key, 22
Environmental characteristics, 170
ERROR CPLD NOT PROGRAMMED message, 161
ERROR DC PROGRAM NOT VALID message, 161
ERROR DRAM AT ADDRESS XXXXXXXX message, 162
ERROR EC PROGRAM NOT VALID message, 162
ERROR EC STOPPED AT STATE XXXX message, 162
ERROR FLASH DID NOT PROGRAM message, 162
ERROR FLASH NOT DETECTED message, 162
Error Handling
 Hangul LP+ Emulation, 100
 Hanzi LP+ Emulation, 100
ERROR LOCKED SN=nnnnnnnnnnnnnnnnnnnnnnnnnnnnnn message, 162
ERROR NO DRAM DETECTED message, 162
ERROR NVRAM FAILURE message, 162
ERROR OCCURRED FLUSHING QUEUES* message, 162
ERROR PROGRAM NEEDS MORE DRAM message, 162
ERROR PROGRAM NEEDS MORE FLASH message, 162
ERROR PROGRAM NOT COMPATIBLE message, 163
ERROR PROGRAM NOT VALID message, 163
ERROR SECURITY KEY NOT DETECTED message, 163
ERROR SHORT AT ADDRESS XXXX message, 163

ERROR WRITING TO FLASH message, 163
ERROR WRONG CHECKSUM message, 163
ERROR WRONG OEM message, 163
ERROR WRONG PRINTER TYPE message, 163
ETHERNET ADAPTER BEING INITIALIZED message, 163
Ethernet Address, 55
ETHERNET ADDRESS menu, 81
 DHCP, 81
 Gateway address, 81
 IP address, 81
 MAC address, 81
 Subnet mask, 81
ETHERNET DETECTED message, 163
ETHERNET INITIALIZING message, 163
ETHERNET PARAMETERS menu
 ASCII data port, 82
 Ethernet speed, 83
 IPDS Data Port, 82
 Job Control, 83
 Keep alive timer, 82
 NetBIOS protocol, 82
ETHERNET PARAMS menu, 82
Ethernet speed
 Adapter Params menu, 80
 Ethernet Parameters menu, 83
Ethernet submenu, 76
 Buffer Size in K, 76
Exterior cleaning, 129

F

Fault messages, 133

000 SHUTTLE TYPE NOT SUPPORTED*, 134
06 HOST REQUEST, 134
08 HOLD PRINT TIMEOUT, 134
104 POWERSUPPLY HOT*, 135
105 PRINTER HOT*, 135
15 COMM CHECK, 134
15V PWR FAIL *, 134
22 INVALID ADDR, 134
31 PAPER OUT TIMEOUT, 134
32 PAPER JAM TIMEOUT, 134
33 PLATEN OPEN TIMEOUT, 135

34 RIBBON STALL TIMEOUT, 135
401 BUFFER OVERRUN, 135
402 CLEAR PAPER JAM, 135
403 CLOSE PLATEN, 135
409 FRAMING ERROR, 135
410 LOAD PAPER, 135
411 PARITY ERROR, 136
414 RIBBON STALL, 136
415 SHUTTLE JAM, 136
416 STACKER FULL, 136
417 STACKER JAM, 136
418 RBN INK LOW, 136
419 RBN INK OUT*, 136
420 EXC RBN WEAR, 136
421 BC MISSING, 137
422 BC DAMAGED, 137
423 OLD RIBBON, 137
424 UNKNOWN RBN1, 137
425 UNKNOWN RBN2, 137
427 CRTG MISSING, 137
428 CRTG COMM ER, 137
432 CRT NOT SET, 138
435 NO WELD, 138
437 REG MISSING, 138
438 TIP MISMATCH, 138
439 SHTL MISMATCH, 138
440 RWP DOWNLOAD, 138
48V PWR FAIL *, 135
602 23.5V PWR FAIL *, 138
604 48V CIRCUIT*, 138
606 Power 8.5V CHECK, 138
607 CTL VOLT FAIL *, 139
608 DRIVER CIRCUIT BAD, 139
609 EXHAUST FAN CHECK, 139
613 HAM. COIL BAD, 139
614 HAMMER BANK* NOT INSTALLED, 139
615 HAMMER FAN CHECK, 139
617 LOWER DRIVER SHORT*, 139
619 PAPER FEED DRIVER CIRCUIT*, 139
620 POWER VOLT CHECK*, 140
622 SHUTTLE DRIVER CRCUIT*, 140
623 STACKER FAULT, 140

624 UPPER DRIVER SHORT*, 140
625 WRONG E-NET, 140
700 A TO D OVERUN *, 140
701 ACCESS NULL POINTER*, 140
702 FIRMWARE ERROR, 140
703 ILLEGAL EXTERNAL BUS ACC *, 140
704 ILLEGAL INSTRUCTION ACC*, 140
705 ILLEGAL OPERAND ACCESS *, 140
706 PAP BAD TABLE*, 140
707 PAPER BUSY TOO LONG*, 141
708 PAPER FIFO OVERFLOW*, 141
709 PAPER FIFO UNDERFLOW*, 141
710 PAP ILLGL ST*, 141
711 PAP INCMPL ENER*, 141
712 PAP INVLD CMD*, 141
713 PAP INVLD PARM*, 141
714 PAP NOT SCHED*, 141
715 PAP NT AT SPEED*, 141
716 PAP UNEXP INT*, 141
717 PLAT INV CMD*, 141
718 PLAT INV PARM*, 141
719 PLAT INV STATE*, 141
720 PROTECTED INSTRUCTION*, 142
721 RIB INVLD CMD*, 142
723 SHUTL INV CMD*, 142
724 SHUTL INV PARM*, 142
725 SHUTL OVER SPEED*, 142
727 SOFTWARE ERROR*, 142
728 STACK OVERFLOW*, 142
729 STACK UNDERFLOW*, 142
730 TCB CORRUPTED*, 142
731 UNDEFINED INTERRUPT*, 142
732 UNDEFINED OPCODE, 142
733 DP FIFO Busy*, 143
ACTIVATE LOST, 143
B00 STATUS SDRAM DETECTION
166MHZ, 143
B01 STATUS 8245 SDRAM TEST 32MB, 143
B10 ERROR NO DRAM DETECTED*, 143
B11 ERROR RAM TEST FAILED*, 143
B12 ERROR PROGRAM MISSING*, 143
B13 ERROR NOT COMPATIBLE*, 143
B19 ERROR DC RETURNED*, 143
B20 STATUS 00% DOWNLOAD MODE, 144
B21 STATUS PRINTER RESET, 144
B22 ERROR DECOMPRESS SIZE*, 144
B23 ERROR DECOMPRESS CKSUM*, 144
B30 STATUS INITIALZING, 144
B35 STATUS WAITING FOR EC STATUS, 144
B40 ERROR SDRAMEE PROM CKSUM
BAD*, 144
B41 ERROR DIM MEMORY NOT
SDRAM*, 144
B42 ERROR SDRAM ROWS NOT
ALLOWED*, 144
B43 ERROR SDRAM TOO MANY
BANKS*, 145
B44 ERROR SDRAM NOT 64 BITS
WIDE*, 145
B45 ERROR SDRAM IS WRONG
VOLTAGE*, 145
B46 ERROR SDRAM HAS MIXED SIZES*, 145
B47 ERROR SDRAM LARGER
THAN 256M*, 145
B49 ERROR SDRAM # LOGICAL
BANKS*, 145
B50 ERROR SDRAM LOGIC COMB
BANKS*, 145
B51 XX% LOADING, 145
B53 ERROR 12C NO ARBITRATION, 145
B54 ERROR SDA LINE STUCK LOW, 145
CLEARING PROGRAM FROM FLASH, 146
D50 STATUS%XX Clearing Flash, 146
D51 STATUS%XX Programming, 146
D55 STATUS Send Program to EC, 146
DIAGNOSTIC PASSED, 146
DO NOT POWER OFF, 146
E00 EXE @ ADDR0, 146
E01A TYPE 0x40, 147
E01B TYPE 0x60, 147
E02 MACHINE CHK, 147
E03A DSI HASH L, 148
E03B DSI HASH S, 148
E03C DSI BAT PL, 148

E03D DSI BAT, 149
E03E DSI CXIWX, 149
E03F DSI CXOWX, 149
E03G DSI ECXIWX, 150
E03H DSI ECXOWX, 150
E04A ISI NO TRA, 150
E04B ISI DIRECT, 151
E04C ISI PROTEC, 151
E06 NOT ALIGNED, 151
E07 ILLEGAL INS, 152
E08 FLOATINGPNT, 152
E12 SYSTEM CALL, 152
E13 TRACE INT, 153
E16 ITRANS MISS, 153
E17 DLOAD MISS, 153
E18 DSTORE MISS, 154
E19 BREAKPOINT, 154
E20 SYS MANAGE, 154
E30 DEBUGGER, 155
E31A EVENT 0 BP, 155
E31B EVENT 1 BP, 155
E31C EVENT 2 BP, 156
E31D EVENT 3 BP, 156
E31E EVENT 4 BP, 156
E31F EVENT 5 BP, 157
E31G EVENT 6 BP, 157
E31H EVENT 7 BP, 157
E32A CND 0 BP, 158
E32B CND 1 BP, 158
E32C CND 2 BP, 158
E32D CND 3 BP, 159
E32E CND 4 BP, 159
E32F CND 5 BP, 159
E32G CND 6 BP, 160
E32H CND 7 BP, 160
E33 WRITE BP, 160
E34 TRACE CMPLT, 161
E99 UNKNOWN INT, 161
ERROR CPLD NOT PROGRAMMED, 161
ERROR DC PROGRAM NOT VALID, 161
ERROR DRAM AT ADDRESS
XXXXXXXX, 162
ERROR EC PROGRAM NOT VALID, 162
ERROR EC STOPPED AT STATE XXXX, 162
ERROR FLASH DID NOT PROGRAM, 162
ERROR FLASH NOT DETECTED, 162
ERROR LOCKED
SN=nnnnnnnnnnnnnnnnnnnnnnnnnnnn, 162
ERROR NO DRAM DETECTED, 162
ERROR NVRAM FAILURE, 162
ERROR OCCURRED FLUSHING
QUEUES*, 162
ERROR PRINTER TYPE, 163
ERROR PROGRAM NEEDS MORE
DRAM, 162
ERROR PROGRAM NEEDS MORE
FLASH, 162
ERROR PROGRAM NOT COMPATIBLE, 163
ERROR PROGRAM NOT VALID, 163
ERROR SECURITY KEY NOT
DETECTED, 163
ERROR SHORT AT ADDRESS XXXX, 163
ERROR WRITING TO FLASH, 163
ERROR WRONG CHECKSUM, 163
ERROR WRONG OEM, 163
ETHERNET ADAPTER BEING
INITIALIZED, 163
ETHERNET DETECTED, 163
ETHERNET INITIALIZING, 163
FM HEADER ERROR, 163
GRF CHECK ERROR PRESS STOP, 164
H00: PCI SLOT ?, 164
H01: PCI J12, 164
H02: PCI J13, 164
HAM. COIL OPEN *, 164
INTAKE FAN FAULT, 164
INTERRUPT UNUSED VECTOR 00, 165
INVALID ACTIVATE, 165
INVALID COMMAND, 165
LOADING PROGRAM FROM PORT XX%, 165
LOADING PROGRAM INTO FLASH, 165
NEW SPX DETECTED, 165
NON VOLATILE MEMORY FAILED, 165
ON LINE, 165

ONLINE 28 CU NOT ENAB, 165
 ONLINE 8344 FAILED, 165
 ONLINE CU TIMED OUT, 166
 PARAMETER ERROR, 166
 PLEASE WAIT...RESET IN PROGRESS, 166
 PRINTER UNDER REMOTE CONTROL, 166
 QUEUE OVERRUN*, 166
 REMOVE USED SPX, 166
 RESTORING BOOT CODE, 166
 SCS COMMAND ERROR, 166
 SECURITY KEY NOT DETECTED, 166
 SECURITY VIOLATION, 166
 SENDING PROGRAM TO EC
 PROCESSOR, 166
 SF ERROR, 166
 SHUTTLE STALL, 167
 SPX FOUND, ERROR KEY NOT
 DETECTED, 167
 SPX NOT NEEDED OPTIONS ENABLED, 167
 TCP PORT BUSY, 167
 WAITING FOR ETHERNET ADAPTER, 167
 Fault, Centronics Parallel Interface Signals, 117
 Feature File, DIAGNOSTICS, 112
 Features, printer, 9
 File System, ADVANCED USER menu, 106
 FM HEADER ERROR message, 163
 Font Attributes
 Hangul LP+ Emulation, 96
 Hanzi LP+ Emulation, 96
 Framing Errors, Serial submenu, 73

G

Gateway address
 Adapter Address menu, 78
 Ethernet Address menu, 81
 WLAN Address menu, 84
 Graphics Spd Up
 Hangul LP+ Emulation, 99
 Hanzi LP+ Emulation, 99
 Graphics Speed-Up, 56
 GRF CHECK ERROR PRESS STOP
 message, 164

H

H00: PCI SLOT ? message, 164
 H01: PCI J12 message, 164
 H02: PCI J13 message, 164
 HAM. COIL OPEN * message, 164
 Hangul LP+ Emulation, 95
 CPI/LPI Select, 96
 Error Handling, 100
 Font Attributes, 96
 Graphics Spd Up, 99
 Host Command, 96
 Page Format, 99
 Page Format Submenu, 100
 Printer Protocol, 95
 Reset Cmd CFG Ld, 99
 Hanzi BIG5 LP+ Emulation, 93
 Hanzi GB LP+ Emulation, 92
 Hanzi LP+ Emulation
 CPI/LPI Select, 96
 Error Handling, 100
 Font Attributes, 96
 Graphics Spd Up, 99
 Host Command, 96
 Page Format, 99
 Page Format Submenu, 100
 Printer Protocol, 95
 Reset Cmd CFG Ld, 99
 Hex Dump Mode, ADVANCED USER menu, 105
 Hex Dump, printing, 132
 Host Command
 Hangul LP+ Emulation, 96
 Hanzi LP+ Emulation, 96
 HOST INTERFACE menu, 60
 Host Interface., 55
 Hour, DATE menu, 113

I

- Idle Response, Serial submenu, 72
- IEEE 1284 Parallel (Bidirectional) Submenu, 74
 - Auto Trickle, 74
 - Buffer Size in K, 74
 - Offline Process, 75
 - Prime Signal, 74
 - TOF Action, 74
 - Trickle Time, 75
- IEEE 1284 Parallel Interface, 117
 - Byte Mode, 118
 - Compatibility Mode, 117
 - Nibble Mode, 118
 - Signals, 118
- Input voltage, 171
- INTAKE FAN FAULT message, 164
- Integrated Print Management System, 36
 - Darker Print, 37
 - Lighter Print, 37
- Interface Type, Serial submenu, 68
- Interfaces
 - printer, 115
 - specifications, 172
- Interior cleaning, 130
- Internat. Mode, WLAN PARAMS menu, 87
- INTERRUPT UNUSED VECTOR 00 message, 165
- INVALID ACTIVATE message, 165
- INVALID COMMAND message, 165
- IP address
 - Adapter Address menu, 77
 - Ethernet Address menu, 81
 - WLAN Address menu, 84
- IPDS Data Port
 - Adapter Params menu, 79
 - Ethernet Parameters menu, 82

J

- Job Control
 - Adapter Params menu, 80
 - Ethernet Parameters menu, 83
- Job Sel/Typeface On, ADVANCED USER menu, 109
- JOB SELECT/PRINT MODE key, 22

K

- Kanji LP+ Emulation, 94
- KDC Port Number, WLAN Kerberos menu, 90
- Keep alive timer
 - Adapter Params menu, 80
 - Ethernet Parameters menu, 82
- Kerb. Passwrd, WLAN Kerberos menu, 90
- Kerberos Enable, WLAN Kerberos menu, 89

L

- Label specifications, 170
- Latch Data On
 - Centronics (Parallel) submenu, 64
 - Dataproducts (Standard & Long Lines) submenu, 66
- LEAP Password, WLAN LEAP menu, 91
- LEAP Username, WLAN LEAP menu, 91
- Lighter print, Integrated Print Management System, 37
- Load Config., 57, 58
- LOADING PROGRAM FROM PORT XX% message, 165
- LOADING PROGRAM INTO FLASH message, 165
- Loading Used Ribbon, 37

M

- MAC address
 - Adapter Address menu, 78
 - Ethernet Address menu, 81
 - WLAN Address menu, 84
- Main menu, 52
- Maintenance, 12

Manual

- conventions, 11
- related documents, 12
- special information, 11
- warnings, 11

Menu

- ADVANCED USER, 104
- CONFIG. CONTROL, 58
- DIAGNOSTICS, 110
- EMULATION, 92
- HOST INTERFACE, 60
- Main, 52
- navigating, 42
- NETWORK SETUP, 77
- PRINTER CONTROL, 102
- Printer MGMT, 114
- QUICK SETUP, 54
- ZTP SETTINGS, 58

Mgmt Port Number, Printer MGMT, 114

Mgmt Protocol, Printer MGMT, 114

Min Xfer Rate, WLAN PARAMS menu, 86

Minute, DATE menu, 113

Month, DATE menu, 113

N

Name Configs, 59

Navigating the menus, 42

Nest Serv Type, Adapter Params menu, 79

NetBIOS protocol

- Adapter Params menu, 79
- Ethernet Parameters menu, 82

NETWORK SETUP menu, 77

- ADAPTER ADDRESS, 77
- ETHERNET ADDRESS, 81
- ETHERNET PARAMS, 82
- WLAN ADDRESS, 84
- WLAN PARAMS, 85

NEW SPX DETECTED message, 165

Nibble Mode, IEEE 1284 Parallel Interface, 118

noise level, acoustic, 171

NON VOLATILE MEMORY FAILED message, 165

Novell frame, Adapter Params menu, 79

Novell protocol, Adapter Params menu, 79

Novell Protocols, 78

O

Offline Process, IEEE 1284 Parallel (Bidirectional)

Submenu, 75

ON LINE key, 20

ON LINE message, 165

One Char Enquiry, Serial submenu, 73

ONLINE 28 CU NOT ENAB message, 165

ONLINE 8344 FAILED message, 165

ONLINE CU TIMED OUT message, 166

Online, Centronics Parallel Interface Signals, 117

Online, Dataproducts Parallel Interface

Signals, 125

Open Platen @ BOF (Bottom of Form), PRINTER CONTROL, 102

Operating modes, 19

Operation Mode, WLAN PARAMS menu, 86

Operational procedures

- cancel a print job, 23
- reload paper, 24
- unload paper, 33

Optimizing print quality, 51

Optimizing print speed, 51

Output Darkness, 36

Overview, printer models, 9

P

Page Format

- Hangul LP+ Emulation, 99
- Hanzi LP+ Emulation, 99
- Page Format Submenu, 100

Page Format Submenu

- Hangul LP+ Emulation, 100
- Hanzi LP+ Emulation, 100
- Page Format, 100

Paper

- reload, 24
- unload, 33

PAPER ADVANCE key, 21

Paper Empty (PE), Centronics Parallel Interface Signals, 117

Paper Instruction (PI), Centronics Parallel Interface Signals, 117
 Paper Instruction (PI), Dataproducts Parallel Interface Signals, 125
 Paper Out Dots, DIAGNOSTICS, 112
 Paper specifications, 169
 Parallel Interface, Centronics, 116
 Parallel Interface, Dataproducts, 124
 PARAMETER ERROR message, 166
 Parameter settings
 changing, 41
 saving, 41
 Parameters, changing, example, 43
 Parity Error, Dataproducts Parallel Interface Signals, 125
 Parity, Serial submenu, 71
 PI Ignored
 Centronics (Parallel) submenu, 63
 Dataproducts (Standard & Long Lines) submenu, 66
 PLEASE WAIT...RESET IN PROGRESS message, 166
 PMD (Paper Motion Detection) Fault, ADVANCED USER, 106
 PNE Port Number, Printer MGMT, 114
 PNE Port Timeout, Printer MGMT, 114
 PNE Port, Printer MGMT, 114
 Poll Character, Serial submenu, 72
 Poll Response, Serial submenu, 72
 Port Type, Auto Switching submenu, 62
 Power consumption, 172
 Power Mgmt, WLAN PARAMS menu, 87
 Power requirements, 13
 Power Saver Time, ADVANCED USER, 107
 Power Stacker, ADVANCED USER menu, 106
 Powering on the printer, 19
 Power-Up Config., 58, 59
 Power-Up State, ADVANCED USER menu, 105
 Preamble, WLAN PARAMS menu, 87
 PREV + NEXT key, 23
 PREV or NEXT key, 23
 Prime Signal
 Centronics (Parallel) submenu, 64
 Dataproducts (Standard & Long Lines) submenu, 66
 IEEE 1284 Parallel (Bidirectional) Submenu, 74
 Prime, Centronics Parallel Interface Signals, 117
 Print Config., 59
 Print Hist. Log, ADVANCED USER, 109
 Print job, cancel, 23
 Print Quality, optimizing, 51
 Print speed, optimizing, 51
 Print Statistics, DIAGNOSTICS, 112
 Printer
 component locations, 17
 control panel, 20
 dimensions, 14, 170
 exterior cleaning, 129
 features, 9
 interior cleaning, 130
 maintenance, 12
 models, 9
 operating modes, 19
 powering on, 19
 site requirements, 13
 weight, 170
 PRINTER CONTROL menu, 102
 Accented Char, 103
 Display Language, 103
 Open Platen @ BOF (Bottom of Form), 102
 Ribbon End Point, 102
 Tear Bar Dist. (Distance), 103
 Unidirectional, 103
 View Function, 103
 Printer interfaces, 115
 Printer MGMT menu, 114
 Mgmt Port Number, 114
 Mgmt Protocol, 114
 PNE Port, 114
 PNE Port Number, 114
 PNE Port Timeout, 114
 Status Port Numb, 114

Printer Protocol

- Hangul LP+ Emulation, 95
- Hanzi LP+ Emulation, 95
- Printer Tests, DIAGNOSTICS, 111
- PRINTER UNDER REMOTE CONTROL message, 166
- Printing rates, 173
- Printing, Hex Dump, 132
- Protect Configs., 59
- Protocols, 12
- PRT CONFIG key, 22
- PTX Setup Option, ADVANCED USER menu, 105
- Pwr Save Control, ADVANCED USER, 108

Q

- QUEUE OVERRUN* message, 166
- QUICK SETUP menu, 54
 - Adapter Address, 55
 - DBCS ASCII Style, 57
 - DBCS CPI, 56
 - DBCS/ASCII Mode, 57
 - Ethernet Address, 55
 - Graphics Speed-Up, 56
 - Host Interface, 55
 - Load Config., 57
 - Power-Up Config., 58
 - Reset Cmd CFG Ld, 57
 - Ribbon End Point, 57
 - Save Config., 58
 - SELECT LPI, 57
 - Typeface, 56
 - WLAN Address, 55
 - ZTP Data Time, 56
 - ZTP TearDistance, 56
 - ZTP Wait Time, 56

R

- RBN Low Action, ADVANCED USER, 109
- RBN Low Warn @, ADVANCED USER, 109
- Ready, Dataproducts Parallel Interface
- Signals, 125
- Receive Data (RD), RS-232, 122
- Reload paper, 24
- REMOVE USED SPX message, 166
- Renew Lifetime, WLAN Kerberos menu, 90
- Report Status, Auto Switching submenu, 62
- Request to Send
 - RS-232, 122
 - Serial submenu, 72
- Requirements
 - power, 13
 - printer site, 13
- Reset Cfg Names, 60
- Reset Cmd CFG Ld, 57
 - Hangul LP+ Emulation, 99
 - Hanzi LP+ Emulation, 99
- Reset Kerb. Pwd, WLAN Kerberos menu, 90
- Reset LEAP Password, WLAN LEAP menu, 91
- Reset LEAP User, WLAN LEAP menu, 91
- Reset SSID Name, WLAN PARAMS menu, 86
- Reset WEP Keys, WLAN PARAMS menu, 88
- Reset WPA P-Phs, WLAN PARAMS menu, 89
- Resistor configurations, terminating, 121
- Resistors
 - installation, 122
 - removal, 122
- Resistors, terminating
 - location of, 121
- Resp. Polarity
 - Centronics (Parallel) submenu, 64
 - Dataproducts (Standard & Long Lines), 66
- RESTORING BOOT CODE message, 166
- Ret. Status Port, ADVANCED USER menu, 108
- Ribbon Cartridge, changing, 38
- Ribbon End Point, 57
- Ribbon End Point, PRINTER CONTROL, 102
- Ribbon Life Indicator, 23
- Ribbon, specifications, 169

RS-232, 122
Clear to Send (CTS), 123
Data Carrier Detect (DCD), 123
Data Set Ready (DSR), 123
Data Terminal Ready (DTR), 123
Receive Data (RD), 122
Request to Send (RTS), 122
Transmit Status & Control Data (TD), 122

RS-232 Serial Interfaces, 122

RS-422, 123

RS-422 Serial Interfaces, 122

S

Save Config., 58, 59

Save, Auto, 46

Saving new configurations, 46

Saving parameter settings, 41

SCS COMMAND ERROR message, 166

SECURITY KEY NOT DETECTED message, 166

SECURITY VIOLATION message, 166

SELECT LPI, 57

SENDING PROGRAM TO EC PROCESSOR
message, 166

Serial Interfaces

RS-232, 122

RS-422, 122

Serial submenu, 68

Baud Rate, 71

Buffer Size in K, 72

Data Protocol, 69

Data Term Ready, 71

Framing Errors, 73

Idle Response, 72

Interface Type, 68

One Char Enquiry, 73

Parity, 71

Poll Character, 72

Poll Response, 72

Request to Send, 72

Stop Bits 1, 71

Word Length, 71

Set Lock Key, ADVANCED USER menu, 108

Set Sharing, ADVANCED USER menu, 107

SET TOF key, 22

SF ERROR message, 166

SHUTTLE STALL message, 167

Shuttle Timeout, ADVANCED USER menu, 107

Shuttle Type, DIAGNOSTICS, 112

Signal Strength, WLAN PARAMS menu, 86

Signals

Centronics Parallel Interface, 117

Dataproducts Parallel Interface, 125

IEEE 1284 Parallel Interface, 118

Site requirements, 13

Slow Paper Slew, ADVANCED USER menu, 107

Software Build, DIAGNOSTICS, 112

Special information, 11

Specifications

interfaces, 172

label, 170

paper, 169

ribbon, 169

Speed print, 173

SPX FOUND, ERROR KEY NOT DETECTED
message, 167

SPX NOT NEEDED OPTIONS ENABLED
message, 167

SSID Name, WLAN PARAMS menu, 86

Status Port Numb, Printer MGMT, 114

Stop Bits 1, Serial submenu, 71

Subnet mask

Adapter Address menu, 77

Ethernet Address menu, 81

WLAN Address menu, 84

Supplies Department, 189

Switch Out On, Auto Switching submenu, 62

System Memory, DIAGNOSTICS, 112

T

TCP PORT BUSY message, 167

Tear Bar Dist. (Distance), PRINTER
CONTROL, 103

Terminating resistor configurations, 121

Terminating resistors

location of, 121

Test Width, DIAGNOSTICS, 112

Ticket Lifetime, WLAN Kerberos menu, 90
Timeout, Auto Switching submenu, 62
TOF Action
 Centronics (Parallel) submenu, 64
 Dataproducts (Standard & Long Lines)
 submenu, 66
 IEEE 1284 Parallel (Bidirectional) Submenu, 74
Transmit Power, WLAN PARAMS menu, 87
Transmit Status & Control Data (TD), RS-232, 122
Trickle Time
 Centronics (Parallel) submenu, 65
 Dataproducts (Standard & Long Lines)
 submenu, 67
 IEEE 1284 Parallel (Bidirectional) Submenu, 75
Trickle Time, Auto Switching submenu, 62
Typeface, 56

U

Unidirectional, PRINTER CONTROL, 103
Unload paper, 33
UP + DOWN key, 23
UP or DOWN key, 22

V

View Function, PRINTER CONTROL, 103
VIEW/EJECT key, 21
Voltage, input, 171

W

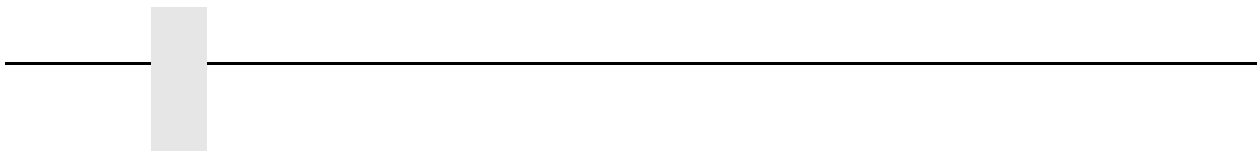
WAITING FOR ETHERNET ADAPTER
message, 167
Warnings, 11
Weight, printer, 170
WEP Key 1, WLAN PARAMS menu, 88
WEP Key 2, WLAN PARAMS menu, 88
WEP Key 3, WLAN PARAMS menu, 88
WEP Key 4, WLAN PARAMS menu, 88
WLAN Address, 55

WLAN ADDRESS menu, 84
 DHCP, 84
 Gateway address, 84
 IP address, 84
 MAC address, 84
 Subnet mask, 84
WLAN Kerberos menu
 Clock Skew, 90
 KDC Port Number, 90
 Kerb. Passwrd, 90
 Kerberos Enable, 89
 Renew Lifetime, 90
 Reset Kerb. Pwd, 90
 Ticket Lifetime, 90
WLAN LEAP menu
 Auth Method, 91
 LEAP Password, 91
 LEAP Username, 91
 Reset LEAP Password, 91
 Reset LEAP User, 91
WLAN PARAMS menu, 85
 Ant. Diversity, 87
 Antenna, 87
 Auth Method, 88
 Channel, 86
 Default WEP Key, 88
 Internat. Mode, 87
 Min Xfer Rate, 86
 Operation Mode, 86
 Power Mgmt, 87
 Preamble, 87
 Reset SSID Name, 86
 Reset WEP Keys, 88
 Reset WPA P-Phs, 89
 Signal Strength, 86
 SSID Name, 86
 Transmit Power, 87
 WEP Key 1, 88
 WEP Key 2, 88
 WEP Key 3, 88
 WEP Key 4, 88
 WPA Cipher, 89

WPA Mode, 88
WPA P-Phs, 89
Word Length, Serial submenu, 71
WPA Cipher, WLAN PARAMS menu, 89
WPA Mode, WLAN PARAMS menu, 88
WPA P-Phs, WLAN PARAMS menu, 89

X-Z

Year, DATE menu, 113
Zero Tear Pedestal (ZTP)
 adjust paper guides, 178
 clear paper jams, 187
 forms type, 186
 load paper, 180
 menu, 185
 overview, 177
 paper jams, 187
 position paper, 178
 position paper out sensor, 182
 set tear bar distance, 183
 set top of form, 184
 ZTP DateTime, 185
 ZTP Function, 185
 ZTP Platen Open, 186
 ZTP TearDistance, 185
 ZTP WaitTime, 185
ZTP Data Time, 56
ZTP DateTime, 185
ZTP Function, 185
ZTP Platen Open, 186
ZTP SETTINGS menu, 58
ZTP TearDistance, 56, 185
ZTP Wait Time, 56
ZTP WaitTime, 185





254797-001E